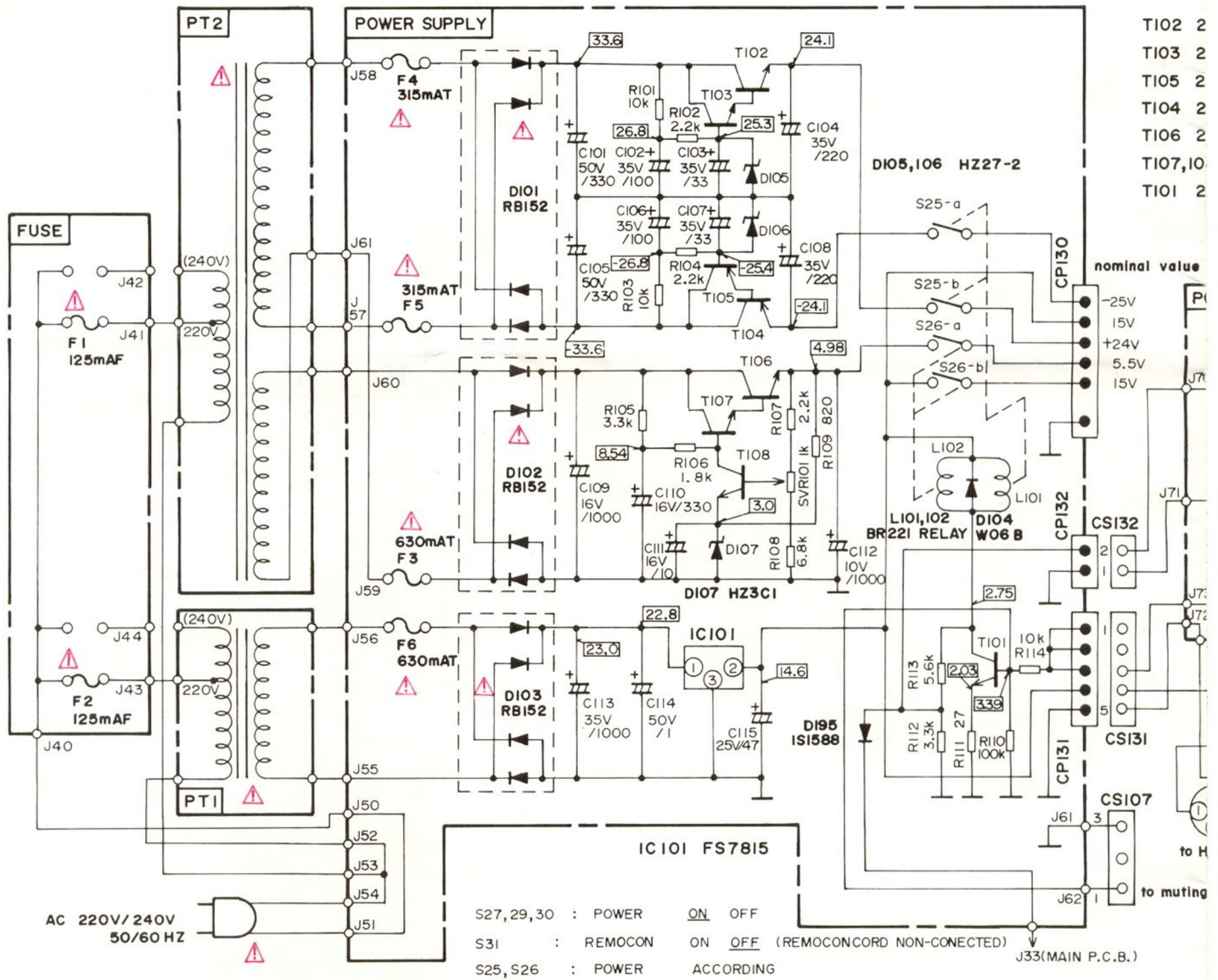


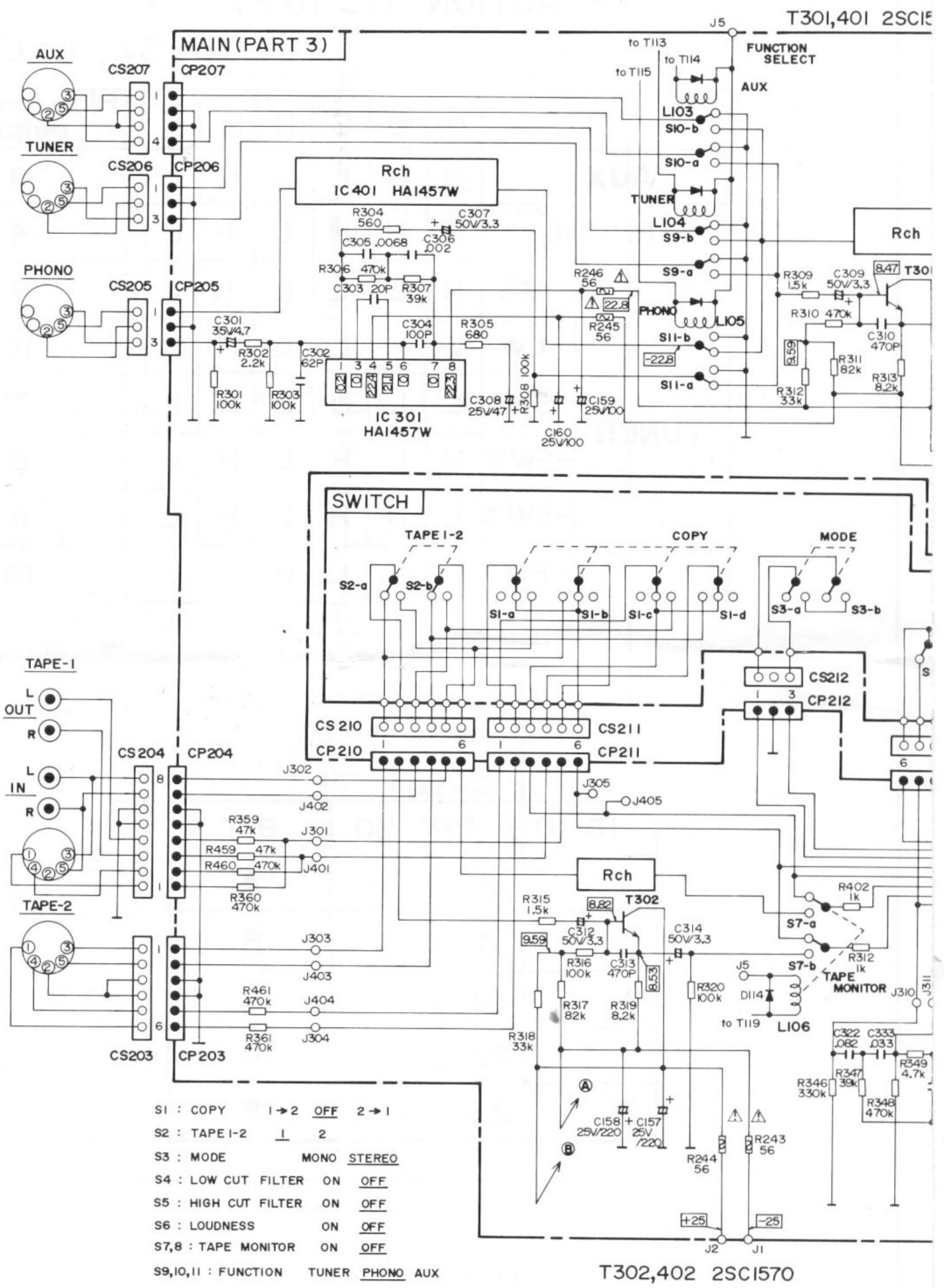
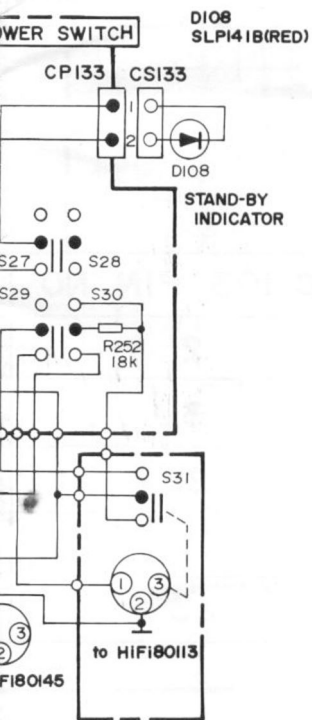
CONTROL AMPLIFIER HIFI 8043

SERVICE- INFORMATION ①



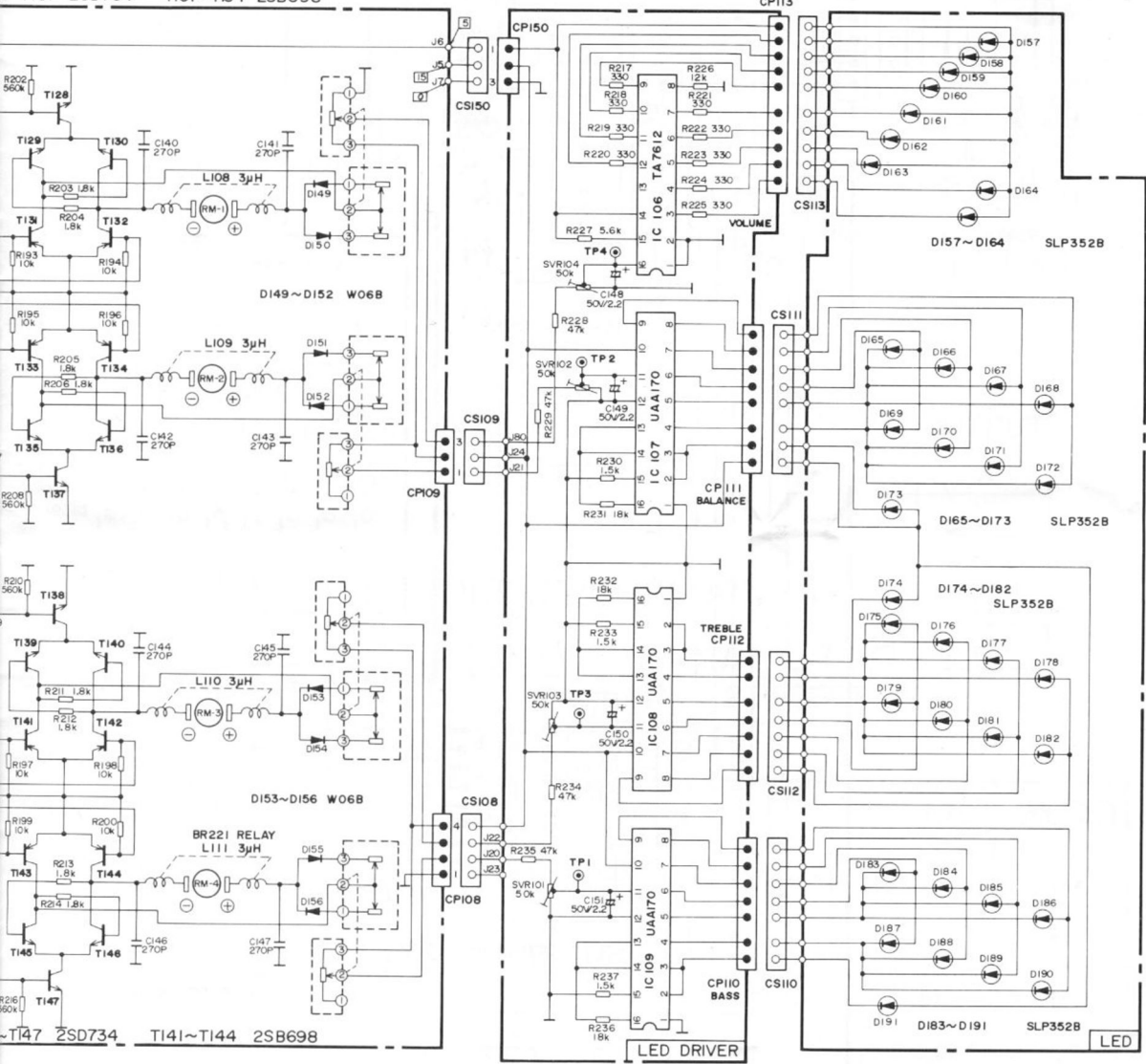
- T102 2
- T103 2
- T105 2
- T104 2
- T106 2
- T107,10
- T101 2

SD600
 SC536
 SA608
 SB631
 SD313
 B 2SC536
 SC1645



- S1 : COPY 1 → 2 OFF 2 → 1
- S2 : TAPE I-2 1 2
- S3 : MODE MONO STEREO
- S4 : LOW CUT FILTER ON OFF
- S5 : HIGH CUT FILTER ON OFF
- S6 : LOUDNESS ON OFF
- S7,8 : TAPE MONITOR ON OFF
- S9,10,11 : FUNCTION TUNER PHONO AUX

5~T137 2SD734 T131~T134 2SB698



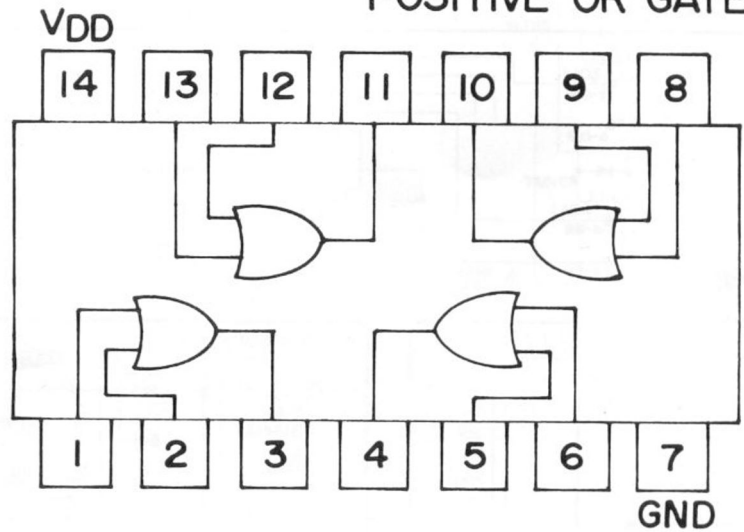
T147 2SD734 T141~T144 2SB698

P-DOWN

IC DIAGRAM

IC 110 TC 4071 (QUAD 2-INPUT POSITIVE OR GATE)

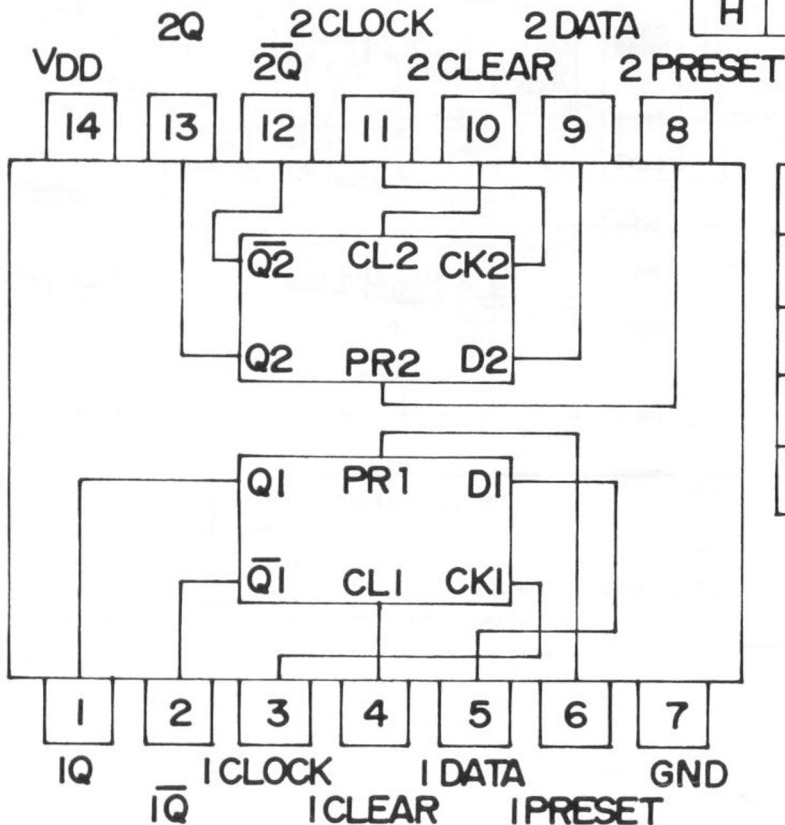
| A | B | C | D | E | F | High level output pin |
|---|---|---|---|---|---|-----------------------|
| L | L | L | H | L | H | 18 |
| H | L | L | H | L | H | 17 |
| L | H | L | H | L | H | 20 |
| H | H | L | H | L | H | 19 |
| L | L | H | H | L | H | 14 |
| H | L | H | H | L | H | 13 |
| L | H | H | H | L | H | 16 |
| H | H | H | H | L | H | 15 |



| INPUT | | OUTPUT |
|-------|---|--------|
| A | B | X |
| L | L | L |
| L | H | H |
| H | L | H |
| H | H | H |

IC 104 TC 4013 (FLIP-FLOP)

| BIT |
|-----|
| A |
| B |
| C |
| D |
| E |



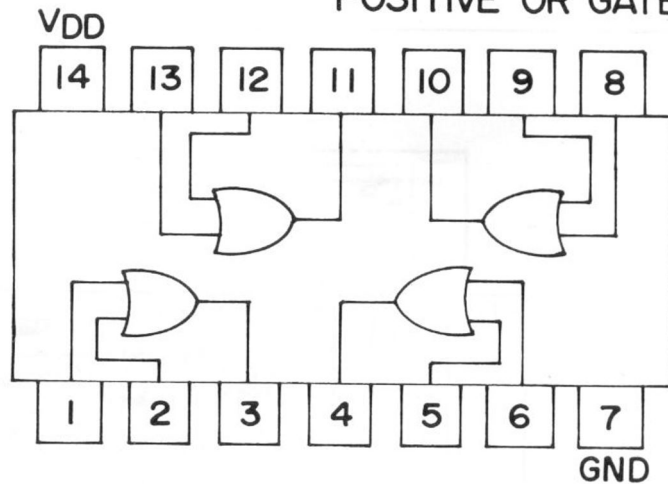
| CLEAR | PRESET | Qn+1 |
|-------|--------|------|
| L | L | Qn |
| L | H | H |
| H | L | L |
| H | H | L |

P-DOWN

| A | B | C | D | E | F | High level output pin |
|---|---|---|---|---|---|-----------------------|
| L | L | L | H | L | H | 18 |
| H | L | L | H | L | H | 17 |
| L | H | L | H | L | H | 20 |
| H | H | L | H | L | H | 19 |
| L | L | H | H | L | H | 14 |
| H | L | H | H | L | H | 13 |
| L | H | H | H | L | H | 16 |
| H | H | H | H | L | H | 15 |

IC DIAGRAM

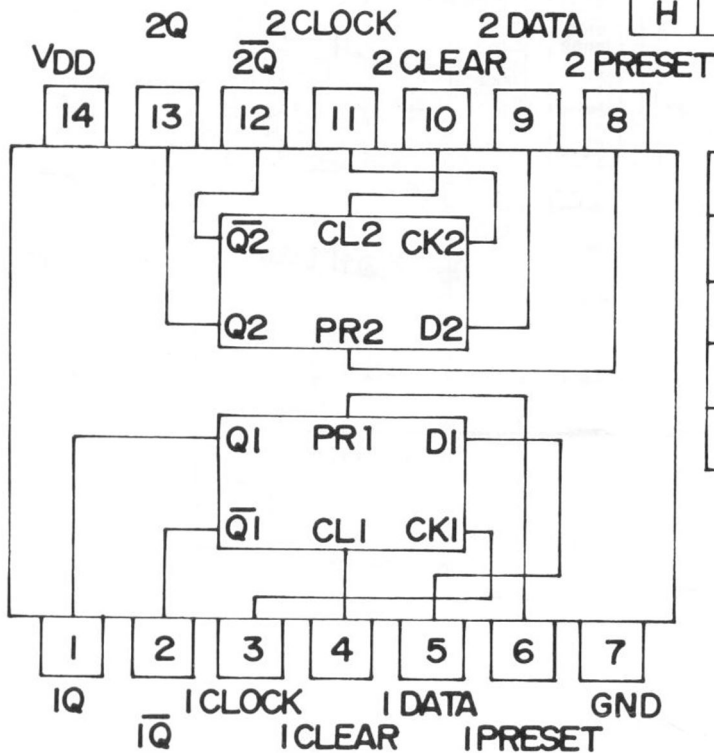
IC 110 TC 4071 (QUAD 2-INPUT POSITIVE OR GATE)



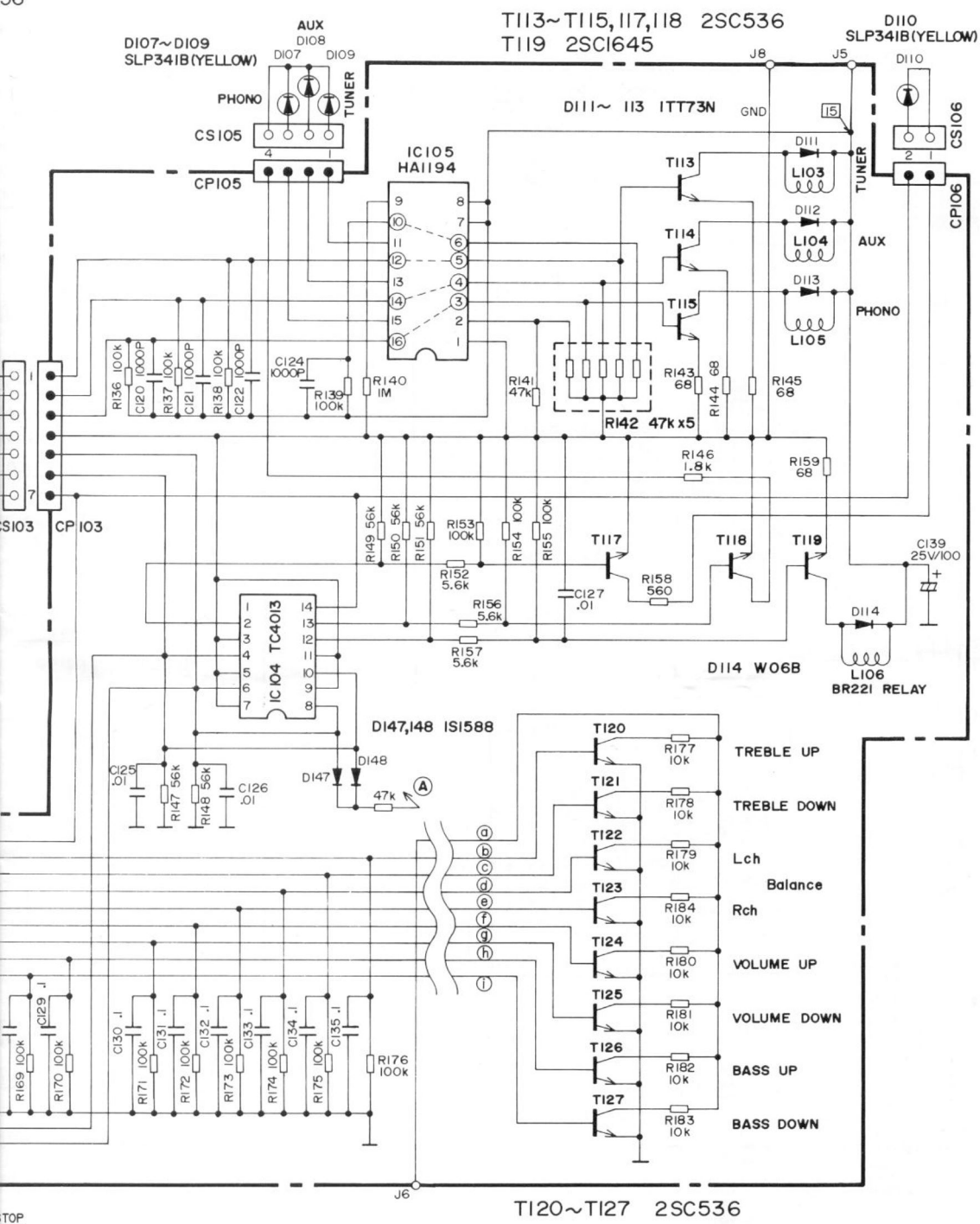
| INPUT | | OUTPUT |
|-------|---|--------|
| A | B | X |
| L | L | L |
| L | H | H |
| H | L | H |
| H | H | H |

IC 104 TC 4013 (FLIP-FLOP)

| BIT |
|-----|
| A |
| B |
| C |
| D |
| E |

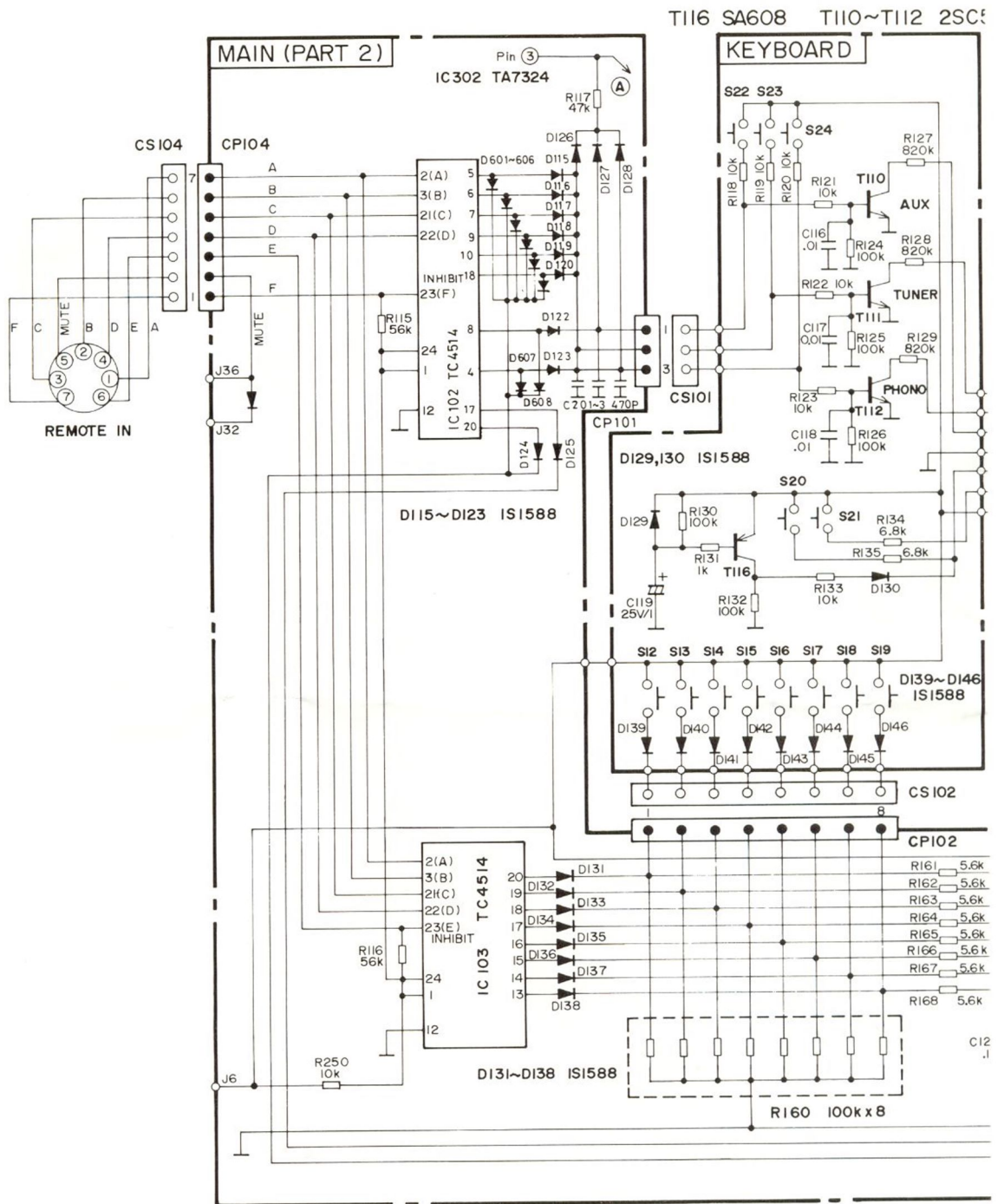


| CLEAR | PRESET | Q _{n+1} |
|-------|--------|------------------|
| L | L | Q _n |
| L | H | H |
| H | L | L |
| H | H | L |

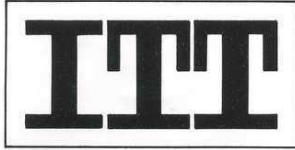


TOP
FF
N
ON

T120~T127 2SC536

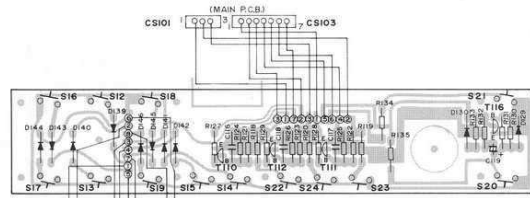


- | | |
|--------------------------|--------------------|
| S12 : TREBLE BOOST STOP | S19 : BASS CUT |
| S13 : TREBLE CUT STOP | S20 : TAPE MONITOR |
| S14 : BALANCE LEFT STOP | S21 : TAPE MONITOR |
| S15 : BALANCE RIGHT STOP | S22 : AUX |
| S16 : VOLUME BOOST STOP | S23 : TUNER |
| S17 : VOLUME CUT STOP | S24 : PHONO |
| S18 : BASS BOOST STOP | |
- } FUNC

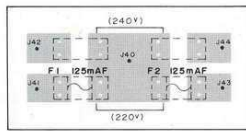


**CONTROL AMPLIFIER
HIFI 8043**

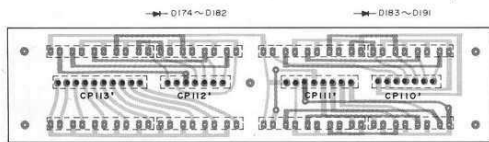
**SERVICE-
INFORMATION ②**



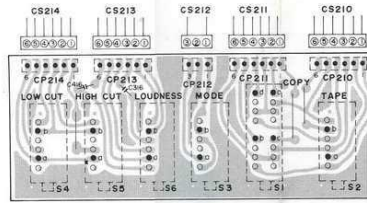
**KEYBOARD P.C.B.
R-4172623**



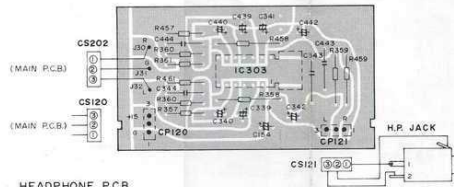
**FUSE P.C.B.
R-4172723**



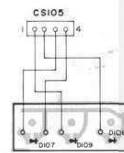
**LED P.C.B.
R-4172627**



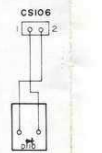
**SWITCH P.C.B.
R-4172626**



**HEADPHONE P.C.B.
R-4172625**



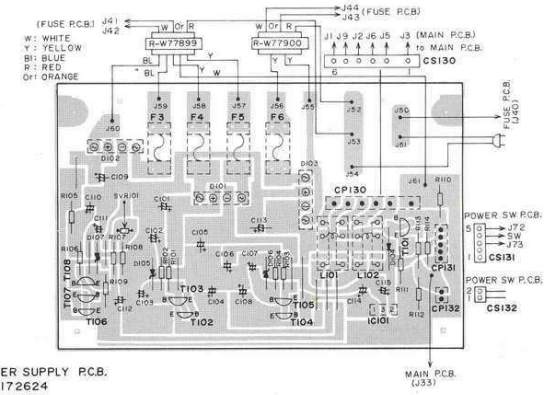
**FUNCTION LED P.C.B.
R-4172621-2**



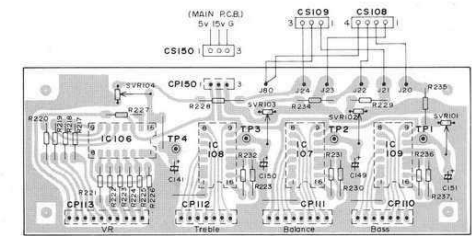
**MONITOR LED P.C.B.
R-4172621-3**



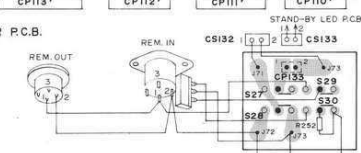
**STAND BY P.C.B.
R-4172621-4**



**POWER SUPPLY P.C.B.
R-4172624**



**LED DRIVER P.C.B.
R-4172622**



**POWER SWITCH P.C.B.
R-4172621-5**

REMOCON SIGNAL (COMMAND)

IC 102,103 (TC 4514)

FUNCTION (IC 102)

H: 5v , L: 0v

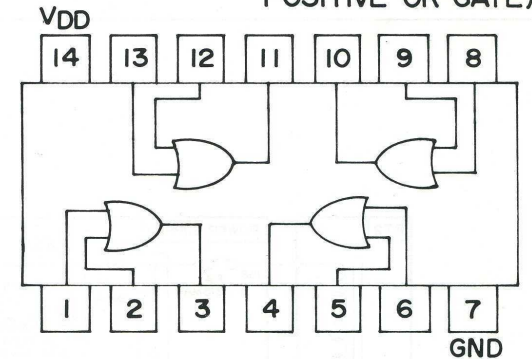
| | A | B | C | D | E | F | High level output pin |
|-------|-----|---|---|---|---|---|-----------------------|
| AUX | H | H | L | L | H | L | 8 |
| PHONO | H | H | H | L | H | L | 4 |
| TUNER | MW | H | L | L | L | H | 9 |
| | LW | L | H | L | L | H | 10 |
| | SW1 | L | L | H | L | H | 7 |
| | SW2 | H | L | H | L | H | 6 |
| | SW3 | L | H | H | L | H | 5 |
| FM | L | L | L | H | H | L | 18 |

VR UP-DOWN

| | A | B | C | D | E | F | High level output pin |
|--------------|---|---|---|---|---|---|-----------------------|
| BALANCE LEFT | L | L | L | H | L | H | 18 |
| RIGHT | H | L | L | H | L | H | 17 |
| TREBLE UP | L | H | L | H | L | H | 20 |
| DOWN | H | H | L | H | L | H | 19 |
| BASS UP | L | L | H | H | L | H | 14 |
| DOWN | H | L | H | H | L | H | 13 |
| VOLUME UP | L | H | H | H | L | H | 16 |
| DOWN | H | H | H | H | L | H | 15 |

IC DIAGRAM

IC 110 TC 4071 (QUAD 2-INPUT POSITIVE OR GATE)

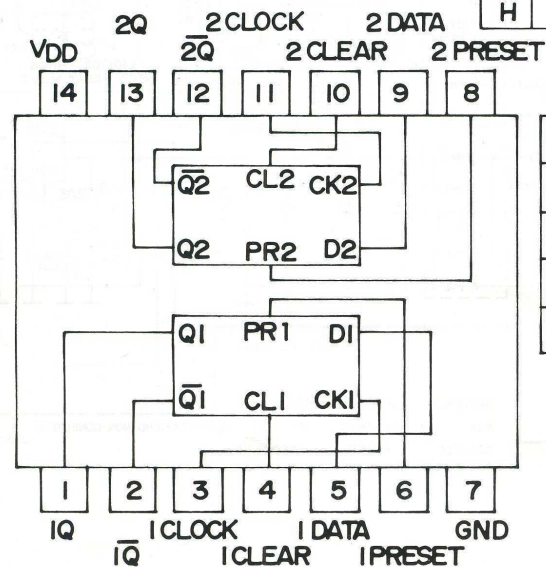


| INPUT | OUTPUT | |
|-------|--------|---|
| A | B | X |
| L | L | L |
| L | H | H |
| H | L | H |
| H | H | H |

| IC 102 | PIN NO | BIT |
|--------|--------|-----|
| | 2 | A |
| | 3 | B |
| | 21 | C |
| | 22 | D |
| | 23 | F |

| IC 103 | PIN NO | BIT |
|--------|--------|-----|
| | 2 | A |
| | 3 | B |
| | 21 | C |
| | 22 | D |
| | 23 | E |

IC 104 TC 4013 (FLIP-FLOP)



| CLEAR | PRESET | Qn+1 |
|-------|--------|------|
| L | L | Qn |
| L | H | H |
| H | L | L |
| H | H | L |

REMOCON SIGNAL (COMMAND)

IC 102,103 (TC 4514)

FUNCTION (IC 102)

H: 5v , L: 0v

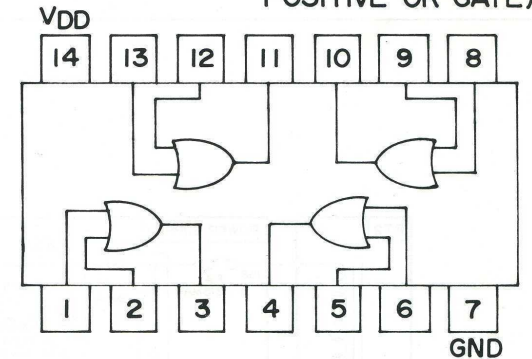
| | A | B | C | D | E | F | High level output pin |
|-------|-----|---|---|---|---|---|-----------------------|
| AUX | H | H | L | L | H | L | 8 |
| PHONO | H | H | H | L | H | L | 4 |
| TUNER | MW | H | L | L | L | H | 9 |
| | LW | L | H | L | L | H | 10 |
| | SW1 | L | L | H | L | H | 7 |
| | SW2 | H | L | H | L | H | 6 |
| | SW3 | L | H | H | L | H | 5 |
| FM | L | L | L | H | H | L | 18 |

VR UP-DOWN

| | A | B | C | D | E | F | High level output pin |
|--------------|---|---|---|---|---|---|-----------------------|
| BALANCE LEFT | L | L | L | H | L | H | 18 |
| RIGHT | H | L | L | H | L | H | 17 |
| TREBLE UP | L | H | L | H | L | H | 20 |
| DOWN | H | H | L | H | L | H | 19 |
| BASS UP | L | L | H | H | L | H | 14 |
| DOWN | H | L | H | H | L | H | 13 |
| VOLUME UP | L | H | H | H | L | H | 16 |
| DOWN | H | H | H | H | L | H | 15 |

IC DIAGRAM

IC 110 TC 4071 (QUAD 2-INPUT POSITIVE OR GATE)

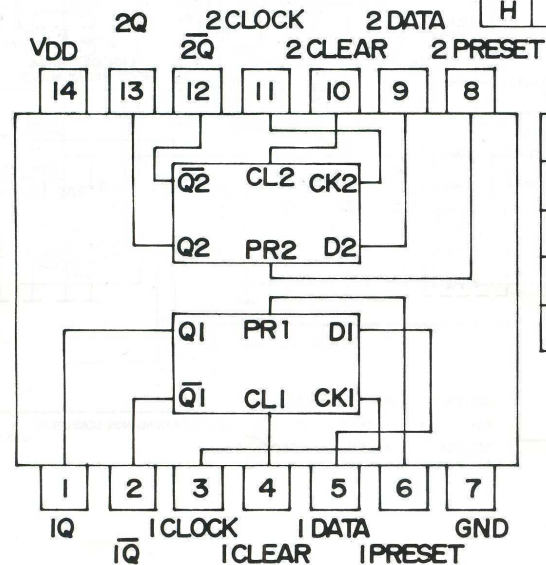


| INPUT | OUTPUT | |
|-------|--------|---|
| A | B | X |
| L | L | L |
| L | H | H |
| H | L | H |
| H | H | H |

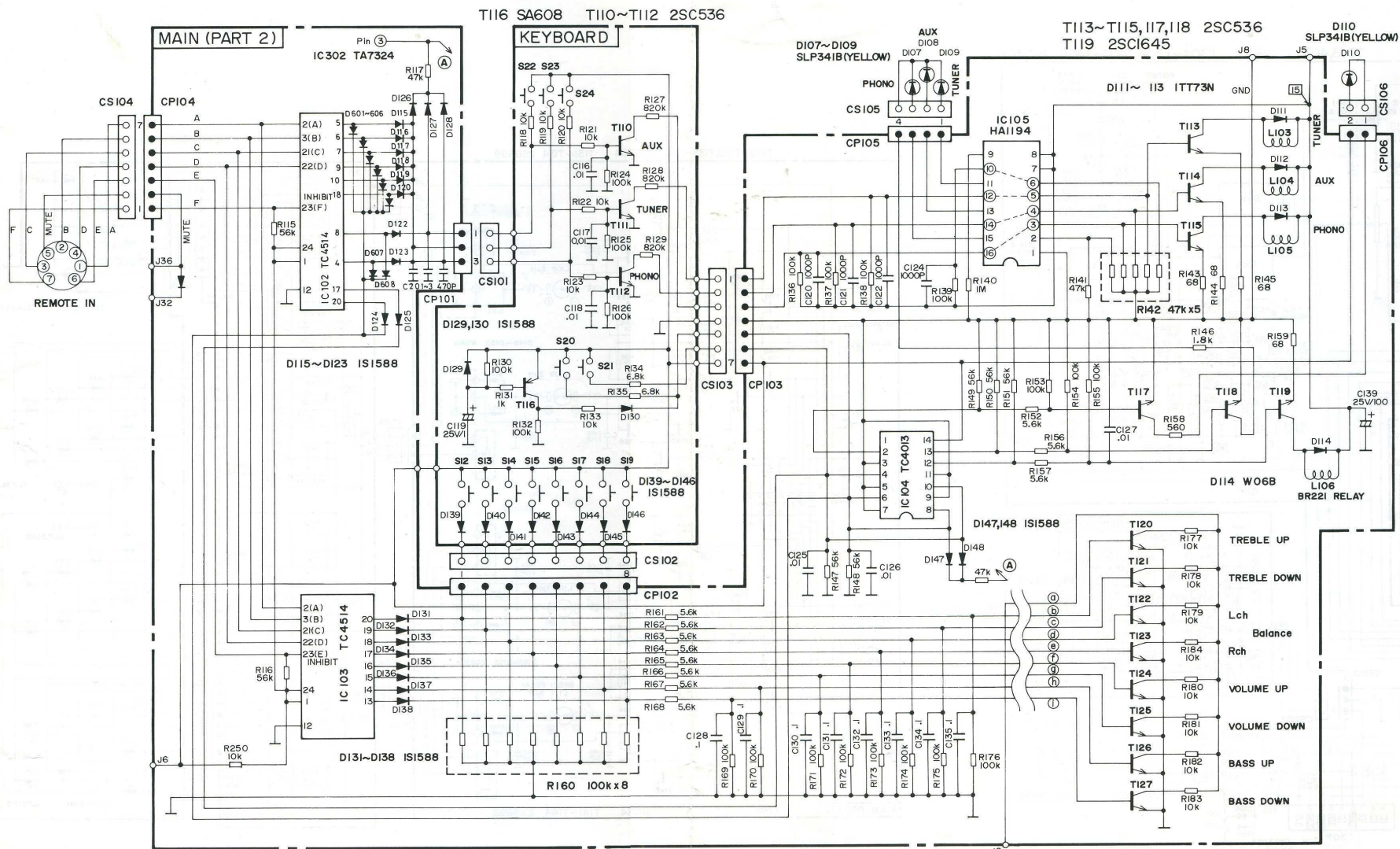
| IC 102 | PIN NO | BIT |
|--------|--------|-----|
| | 2 | A |
| | 3 | B |
| | 21 | C |
| | 22 | D |
| | 23 | F |

| IC 103 | PIN NO | BIT |
|--------|--------|-----|
| | 2 | A |
| | 3 | B |
| | 21 | C |
| | 22 | D |
| | 23 | E |

IC 104 TC 4013 (FLIP-FLOP)

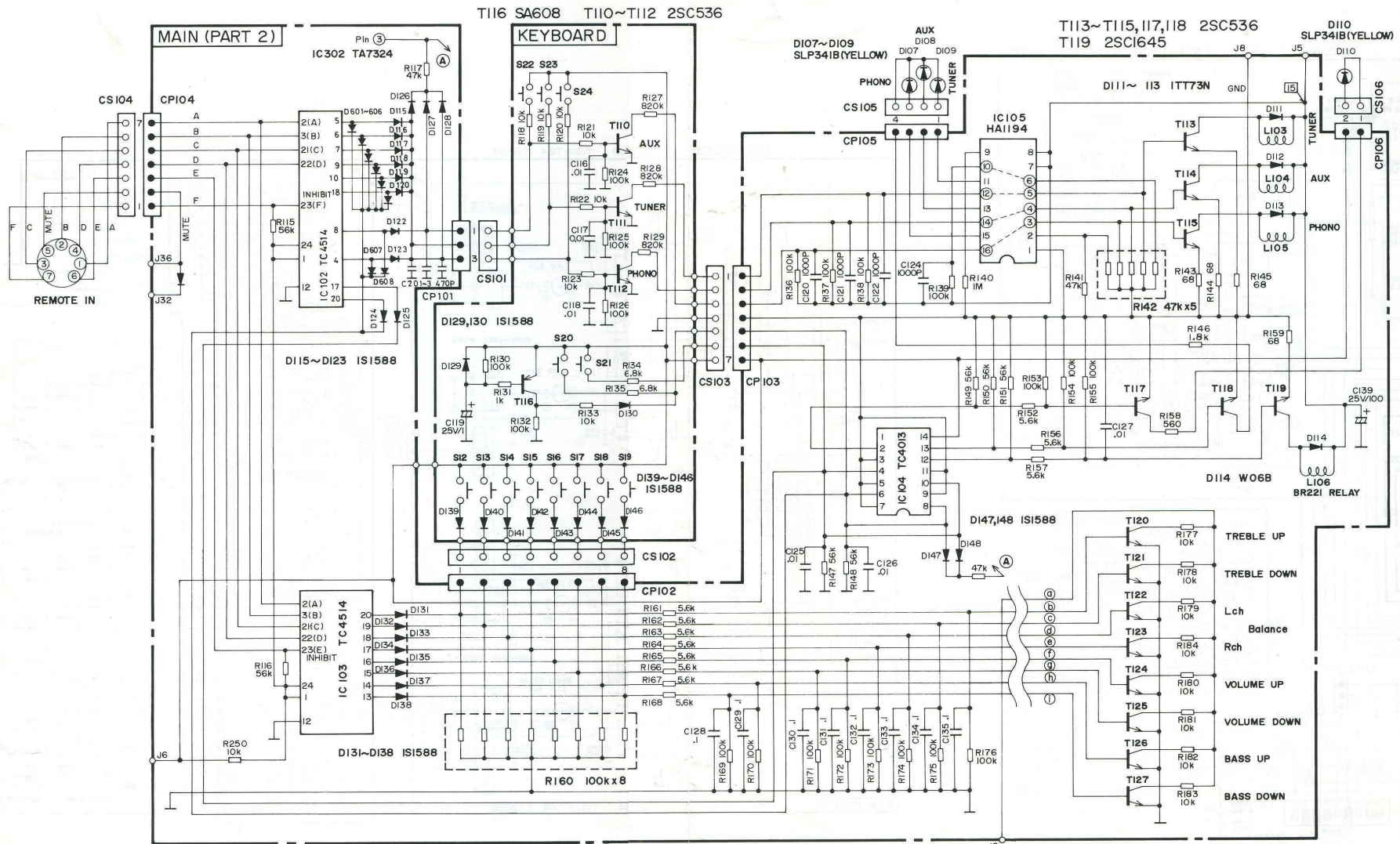


| CLEAR | PRESET | Qn+1 |
|-------|--------|------|
| L | L | Qn |
| L | H | H |
| H | L | L |
| H | H | L |



- | | |
|--------------------------|------------------------|
| S12 : TREBLE BOOST STOP | S19 : BASS CUT STOP |
| S13 : TREBLE CUT STOP | S20 : TAPE MONITOR OFF |
| S14 : BALANCE LEFT STOP | S21 : TAPE MONITOR ON |
| S15 : BALANCE RIGHT STOP | S22 : AUX |
| S16 : VOLUME BOOST STOP | S23 : TUNER |
| S17 : VOLUME CUT STOP | S24 : PHONO |
| S18 : BASS BOOST STOP | |
- } FUNCTION

T120~T127 2SC536



- | | |
|--------------------------|------------------------|
| S12 : TREBLE BOOST STOP | S19 : BASS CUT STOP |
| S13 : TREBLE CUT STOP | S20 : TAPE MONITOR OFF |
| S14 : BALANCE LEFT STOP | S21 : TAPE MONITOR ON |
| S15 : BALANCE RIGHT STOP | S22 : AUX |
| S16 : VOLUME BOOST STOP | S23 : TUNER |
| S17 : VOLUME CUT STOP | S24 : PHONO |
| S18 : BASS BOOST STOP | |
- } FUNCTION



SERVICE-
INFORMATION ①

CONTROL AMPLIFIER HIFI 8043

Schaltbild/Schematic Diagram/Schema Theoretique

Schaltbild/Schematic Diagram/Schema Theoretique

