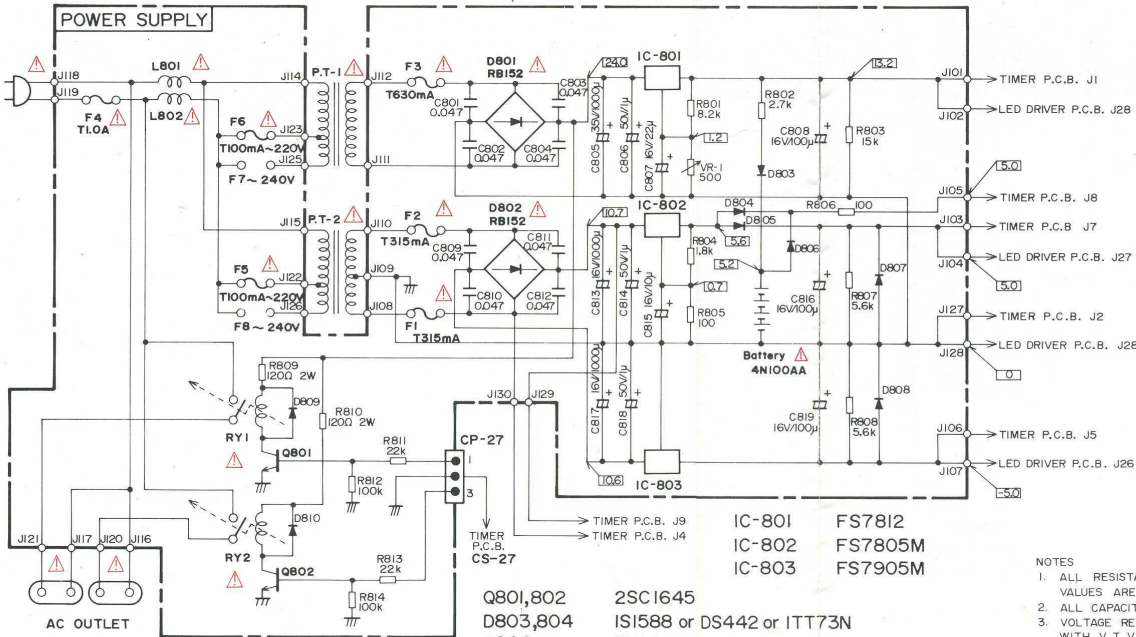
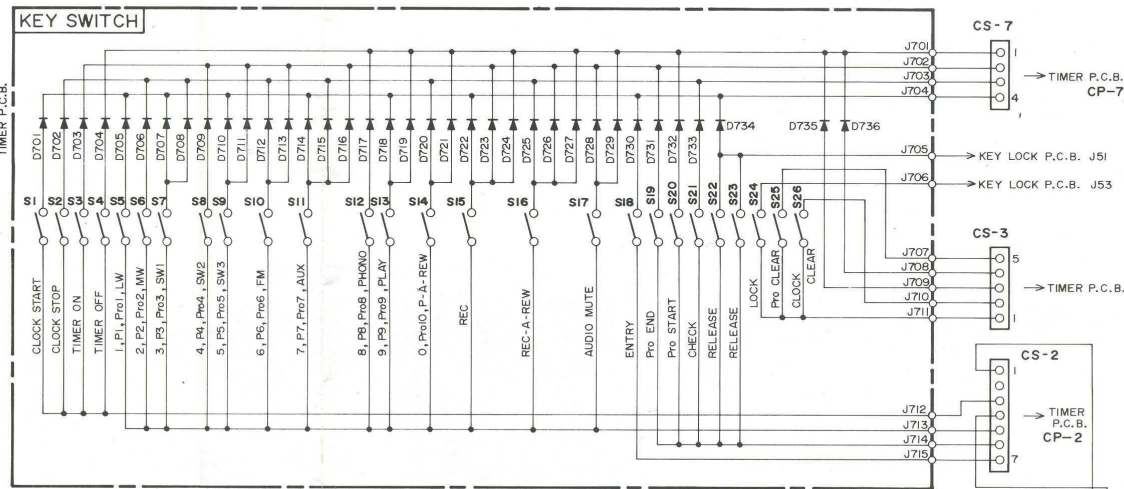
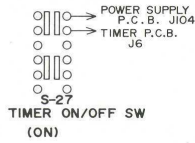
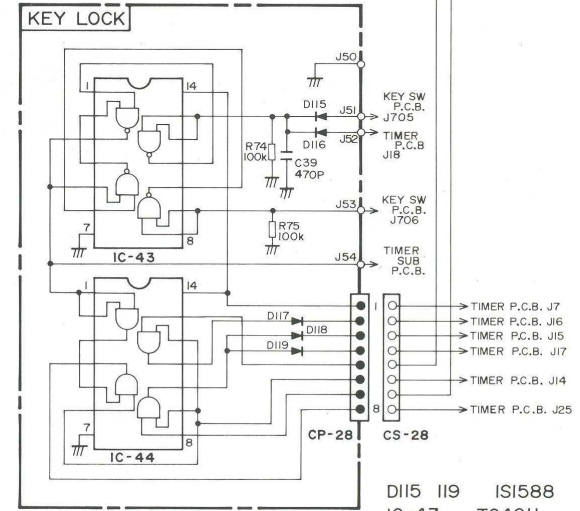


D601 BPI04
 D602 IS1588
 Q601,602,603,605 2SC536
 Q604 2SA999

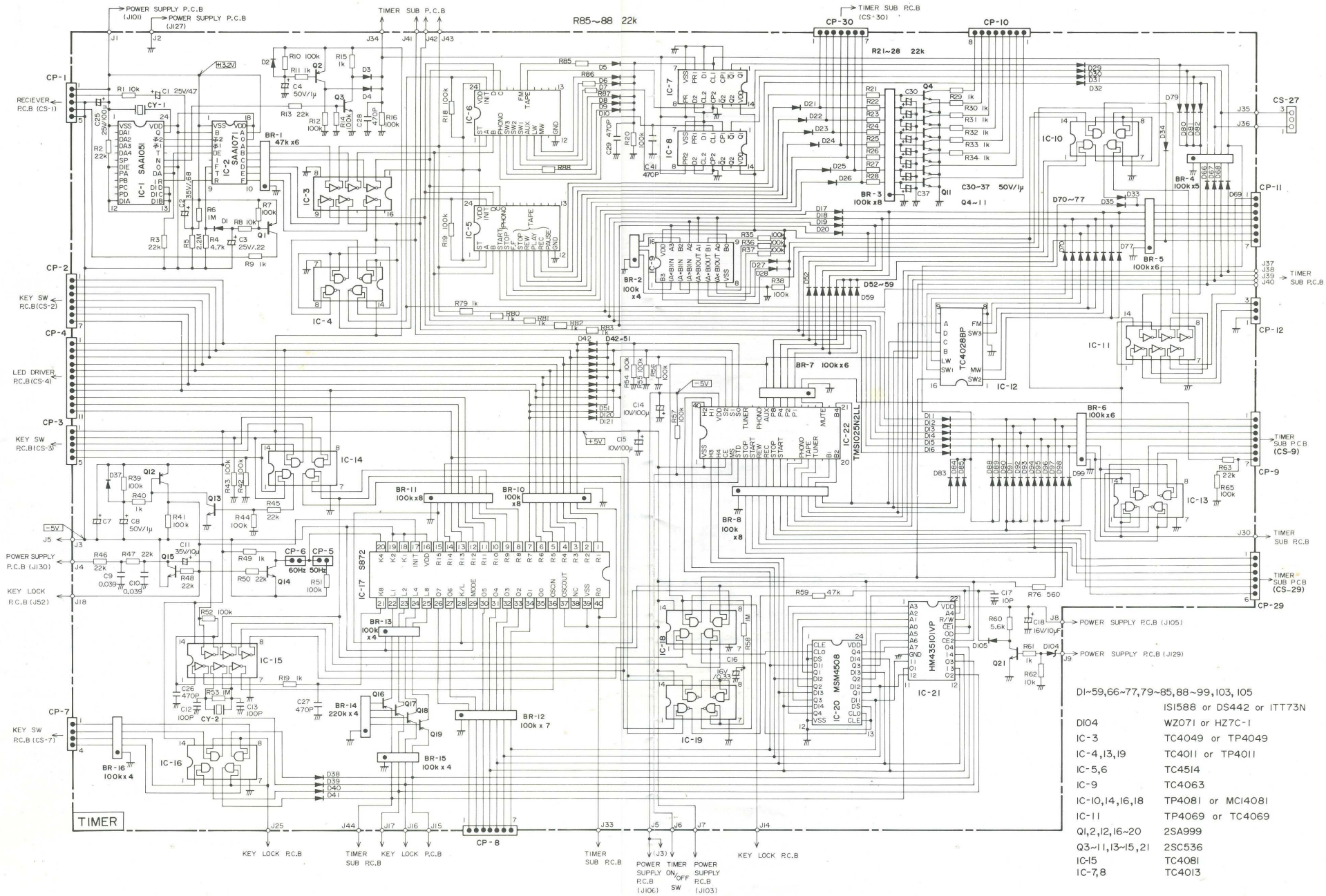


Q801,802 2SC1645
 D803,804 IS1588 or DS442 or ITT73N
 D806 IS1888M
 D805,807,808,809,810 W06B



D115 I19 IS1588
 IC-43 TC4011
 or TP4011
 IC-44 TC4081
 or MC14081

- NOTES
1. ALL RESISTANCES ARE 1/4W, UNLESS NOTED OTHERWISE. VALUES ARE IN OHMS. (K=10³, M=10⁶)
 2. ALL CAPACITOR VALUES ARE IN μF. (P=10⁻⁶μF)
 3. VOLTAGE READINGS TO COMMON GROUND ARE MEASURED WITH V.T.V. M UNDER NO SIGNAL.
 4. THIS SCHEMATIC DIAGRAM, MIGHT BE MODIFIED WITH DEVELOPMENT OF TECHNOLOGY.

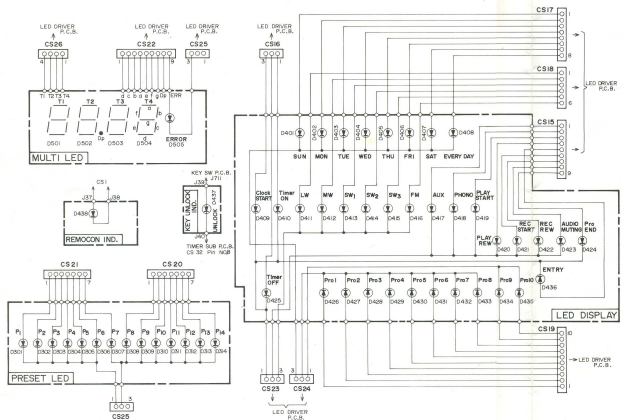


- D1~59,66~77,79~85,88~99,103, 105
- IS1588 or DS442 or ITT73N
- D104 WZ071 or HZ7C-1
- IC-3 TC4049 or TP4049
- IC-4,13,19 TC4011 or TP4011
- IC-5,6 TC4514
- IC-9 TC4063
- IC-10,14,16,18 TP4081 or MC14081
- IC-11 TP4069 or TC4069
- Q1,2,12,16~20 2SA999
- Q3~11,13~15,21 2SC536
- IC15 TC4081
- IC-7,8 TC4013

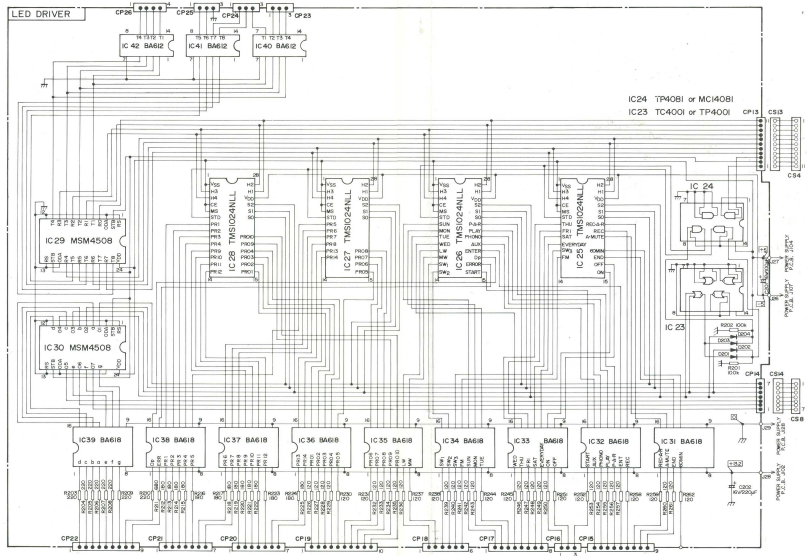


SERVICE-
INFORMATION ①

CONTROL SYSTEM HIFI 80113



HIFI80113
139-012 1/5



HIFI80113
139-012

Q22 2SC1645
 D60-65, I00-102) IS1588 or DS442 or ITT73N
 I06, I09-114, I22-128

IC-45 TP4081 or MC14081
 IC-46 TP4069 or TC4069

