

# Jensen

designed Hi-Fi Loudspeaker Cabinet Kits

and PRE-FINISHED Dress Kits by



## Imperial Folded Horn Basic Cabinet Kit.

## Imperial

The Jensen Imperial is recognized as a superlative reproducer of the three-way divided system type in a large back-loading folded horn enclosure which produces an uncompromised reproducing system capable of the highest degree of high fidelity performance.

The Imperial back-loading folded horn has been carefully matched to the special 15" low frequency unit for reactance annulling; the horn flare is of the hyperbolic-exponential family.

Although simple in design and easily assembled, this cabinet makes possible better low end system performance than can be obtained with any other loading system known today. While a corner position is best, excellent results are obtained against a sidewall.

**K-101** Imperial Basic Cabinet Kit ..... **\$89** net

The P-201 PRE-FINISHED Dress Kit (shown top right) has been especially engineered to dress the Imperial Basic Cabinet Kit.

Overall Dimensions: 53½" High, 34½" Wide, 25" Deep.

Available Finishes: Korina (Blond Mahogany) and Mahogany.

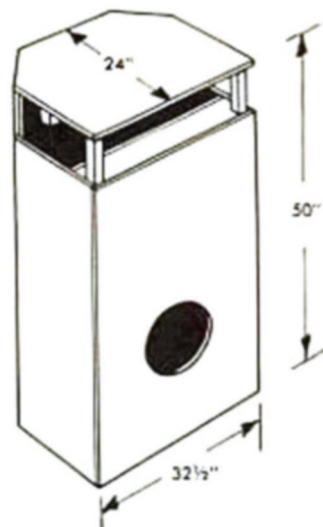
**P-201** PRE-FINISHED Dress Kit for K-101.... **\$54** net

Recommended Jensen Speaker Systems:  
KT-31 Imperial Kit (Three-way System)  
G-610 TRIAXIAL Three-way Loudspeaker

\*TM Reg. Jensen Mfg. Co.



Basic Kit Construction



Note: "Imperial," "Tri-plex," "Ultraflex," "Concerto," and "Treasure Chest Duetto" are registered trademarks of the Jensen Manufacturing Company.

**Tri-Plex Bass Ultraflex  
for 15" Systems...**  
FOR CORNER OR SIDEWALL

**Tri-Plex**

This Bass Ultraflex enclosure for 15" systems is a unique Jensen design in which front and back radiation from the loudspeaker are used; the radiation from the back of the speaker is coupled by a large air chamber through ducts or channels to the outside. It is termed a "duct-loaded bass-reflex enclosure" since the operation is similar to conventional bass reflex enclosures but with ducts connecting the port openings to the inner chamber. Ports are located at the sides of the cabinet near the back.

Not to be confused with a corner horn, this Bass Ultraflex enclosure for all Jensen 15" speakers or speaker systems is suitable for use in a corner or against a wall. With performance superior to any design of similar size, its use is indicated wherever a large folded horn such as the Jensen Imperial cannot be accommodated.

**K-103** Tri-Plex Basic Cabinet Kit... **\$48** net

The Tri-Plex PRE-FINISHED "dress" kit (shown right) provides a fine hand-rubbed professional finish for the Tri-Plex basic cabinet.

Overall Dimensions: 40½" High, 27⅝" Wide, 19½" Front to Back.

Available Finishes: Korina (Blond Mahogany) and Mahogany.

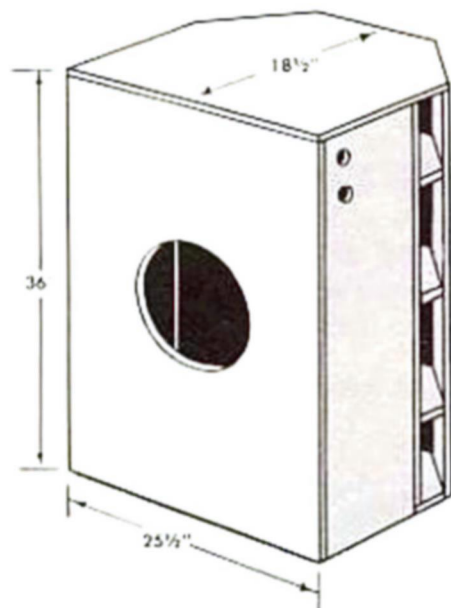
**P-203** Tri-Plex PRE-FINISHED Dress Kit **\$39** net

**Recommended Jensen Speaker Systems:**

- KT-32 Three-way System Kit
- KT-21 Two-way System Kit
- G-610 TRIAXIAL Three-way Loudspeaker
- H-530 Two-way Coaxial Loudspeaker
- H-520 Two-way Coaxial Loudspeaker
- K-310A Two-way Coaxial Loudspeaker

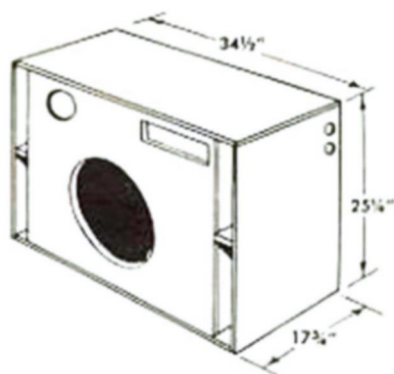


Basic Kit Construction





Basic Cabinet Kit



## Bass Ultraflex "Low Boy" for 15" Systems

This Bass Ultraflex enclosure will be preferred by many because of its "low boy" styling. Since the ports open to the front of the cabinet, equipment storage cabinets or other furniture may be placed close to the sides of the unit if desired without interfering with performance. Easily removable front and back baffles make for simple speaker installation or speaker expansion.

The Basic cabinet is an excellent foundation unit for music wall or other built-in applications. When the PRE-FINISHED dress kit is applied, it becomes a handsome piece of furniture.

**K-105** Bass Ultraflex Basic Cabinet Kit ..... **\$48** net

### Recommended Jensen Speaker Systems:

- KT-32 Three-way System Kit
- KT-21 Two-way System Kit
- G-610 TRIAXIAL Three-way Loudspeaker
- H-530 Two-way Coaxial Loudspeaker
- H-520 Two-way Coaxial Loudspeaker
- K-310A Two-way Coaxial Loudspeaker

The Bass Ultraflex PRE-FINISHED dress kit (shown above) has been designed to "dress" the Bass Ultraflex basic cabinet.

Overall Dimensions: 34 3/4" High (incl. legs), 36 1/2" Wide, 18 3/4" Deep.

Available Finishes: Korina (Blond Mahogany) and Mahogany hardwood veneers.

**P-205** Bass Ultraflex PRE-FINISHED Dress Kit ..... **\$39** net

**Concerto Corner and  
"Low Boy" Bass Ultraflex  
for 12" Systems.**

*Concerto*

The Concerto Corner Enclosure again utilizes front and back loudspeaker radiation. Here again the inner chamber connects to port openings by a system of side ducts. For those seeking a corner enclosure of modest size, this design offers performance superior to any cabinet of comparable size.

**K-107** Concerto Basic Cabinet Kit ..... **\$39** net

The easily assembled Concerto PRE-FINISHED dress kit (shown right) has been designed as a fine furniture finish for the Concerto Basic cabinet kit. Available in a choice of Mahogany or Korina (Blonde Mahogany).

Overall Dimensions: 32 $\frac{7}{8}$ " High, 24 $\frac{1}{8}$ " Wide, 17 $\frac{3}{4}$ " Deep.

**P-207** Concerto PRE-FINISHED Dress Kit..... **\$36** net

Recommended Jensen Speaker Systems:

- KT-22 Two-way System Kit
- H-222 Two-way Coaxial Loudspeaker
- K-210 Two-way Coaxial Loudspeaker
- P12-RX Extended Range Loudspeaker
- P12-NX Extended Range Loudspeaker
- P12-SX Extended Range Loudspeaker



The Bass Ultraflex "Low Boy" Basic Cabinet Kit for 12" speakers offers the same performance as the Concerto Corner Bass Ultraflex. This chest-type basic cabinet is ideal for wall-mounting, or in combination with other equipment cabinets or record storage. Either front or back baffle can be removed for easy speaker installation or expansion. Tapered wood legs make for attractive styling.

**K-109** 8" Ultraflex Basic Kit ..... **\$39** net

The Bass Ultraflex PRE-FINISHED Dress Kit (shown left) is suggested as the simplest means for "dressing" your Bass Ultraflex "low boy" basic cabinet kit in a fine furniture finish. These PRE-FINISHED dress kits are available in selected hand rubbed Korina (Blond Mahogany) or Mahogany hardwood veneers.

Overall Dimensions: 31" High (incl. legs), 31 $\frac{1}{4}$ " Wide, 16 $\frac{1}{4}$ " Deep.

**P-209** PRE-FINISHED Dress Kit ..... **\$36** net

Recommended Jensen Speaker Systems:

- KT-22 Two-way System Kit.
- H-222 Two-way Coaxial Loudspeaker
- K-210 Two-way Coaxial Loudspeaker
- P12-NX Extended Range Loudspeaker
- P12-RX Extended Range Loudspeaker
- P12-SX Extended Range Loudspeaker

# Jensen designed Hi-Fi Loudspeaker Cabinet Kits

and PRE-FINISHED Dress Kits by



The Cabinart kits described in this folder are authentic authorized designs by Jensen, specialists in acoustical research and leading producers of fine high fidelity loudspeakers; they are manufactured and sold by Cabinart, the pioneer manufacturer of high fidelity furniture and cabinet kits.

This combination of specialized skills and production facilities makes it possible for you to assemble your own fine hi-fi loudspeaker system with a maximum of convenience and a minimum of cost.

Jensen Authentic High Fidelity Loudspeaker Kits and Loudspeakers give you a wide choice of systems to suit your needs and preferences, each with a maximum of high fidelity performance for its type and design. And with Jensen-designed Cabinet Kits by Cabinart, you are assured of exact acoustical coordination with the loudspeakers for best performance, a choice of styles and finishes, with precision pre-cut and pre-finished parts for the ultimate in easy assembly.

Cabinart offers for each type and style of enclosure (a) the Basic Cabinet Kit which forms the functional acoustic enclosure and (b) PRE-FINISHED Dress Kits which, when applied over the assembled Basic Cabinet Kits, result in attractively-styled, fully-finished furniture suitable for the living room.

## BASIC CABINET KIT

When assembled, the Basic Cabinet is ready to use as is wherever appearance is not a factor. Note that although a black finish is applied at the factory (to prevent wood showing through grille fabric), the cabinet may be over-painted any color desired. Some may wish to design and apply their own custom exterior fine wood and fabric finish to match existing decor. In addition to its use as a free-standing piece, the Basic Cabinet can often be used as a convenient "build-in" for a music wall or other integration of hi-fi into the home.

Each Basic Cabinet Kit contains the following items:

- All necessary plywood panels ( $\frac{3}{4}$ "), cut exactly to size.
- All cleats necessary to join and brace plywood panels.
- Baffle pre-cut for all recommended Speaker Kits and Speakers.
- Adapter panels for correct installation of recommended Speaker Kits and Speakers.
- Hardware, screws, speaker mounting bolts, plastic wood, glue, sound absorbing material (where necessary), and complete instructions.

## PRE-FINISHED DRESS KIT

As the illustrations show, Cabinart has devised a simple, inexpensive method of "dressing up" the Basic Cabinet by means of PRE-FINISHED Dress Kits.

After the Basic Cabinet is assembled, the Saran plastic grille material is applied to cover the front and sides of the Cabinet, and the PRE-FINISHED top and bottom fine hardwood trim are added. There's no staining, no filling, no lacquering, no rubbing . . . just wipe off the fingermarks with a soft cloth. You have a choice of beautiful modern Korina (blonde Mahogany) or selected

ribbon striped Mahogany, fully pre-finished and hand-rubbed by Cabinart's expert finishers.

Each PRE-FINISHED Dress Kit contains:

- Top, hand-rubbed and polished, six coat lacquer finish.
- Bottom, finished like top.
- Base, fully finished (except P-205 and P-209 which have round, tapered legs). (*All exposed wood is genuine Korina or Mahogany.*)
- Complete wrap-around Saran grille cloth sufficient to cover front and sides, hardware, screws and complete instructions.

## ASSEMBLY IS EASY

Thousands of Cabinart Kits have been assembled in apartment living rooms. You *don't* need a workshop. There's no sawdust, sanding dust or messy stains or lacquers to upset your domestic life! The only tools required for complete cabinet assembly and speaker installation are hammer, screwdriver, stapler and pliers. Everything is complete, nothing to shop for. *And this is important . . .* the unseen ingredient in cabinet kit quality is the experience, facilities and integrity of the manufacturer. Cabinart is the oldest, largest and most experienced maker of wood kits for high fidelity—your guarantee that your Cabinart kit will fit together easily and perfectly, and give precisely the top acoustic performance intended by Jensen engineers.

## A WORD ABOUT ENCLOSURE ACOUSTICS AND LOUDSPEAKER PERFORMANCE

The loudspeaker and the enclosure are a team. When they are properly interrelated by correct design, they complement each other, the loudspeaker generating the sound waves and the enclosure controlling them. The enclosure supplies the loudspeaker "loading" which makes it possible for the system to perform well at low frequencies.

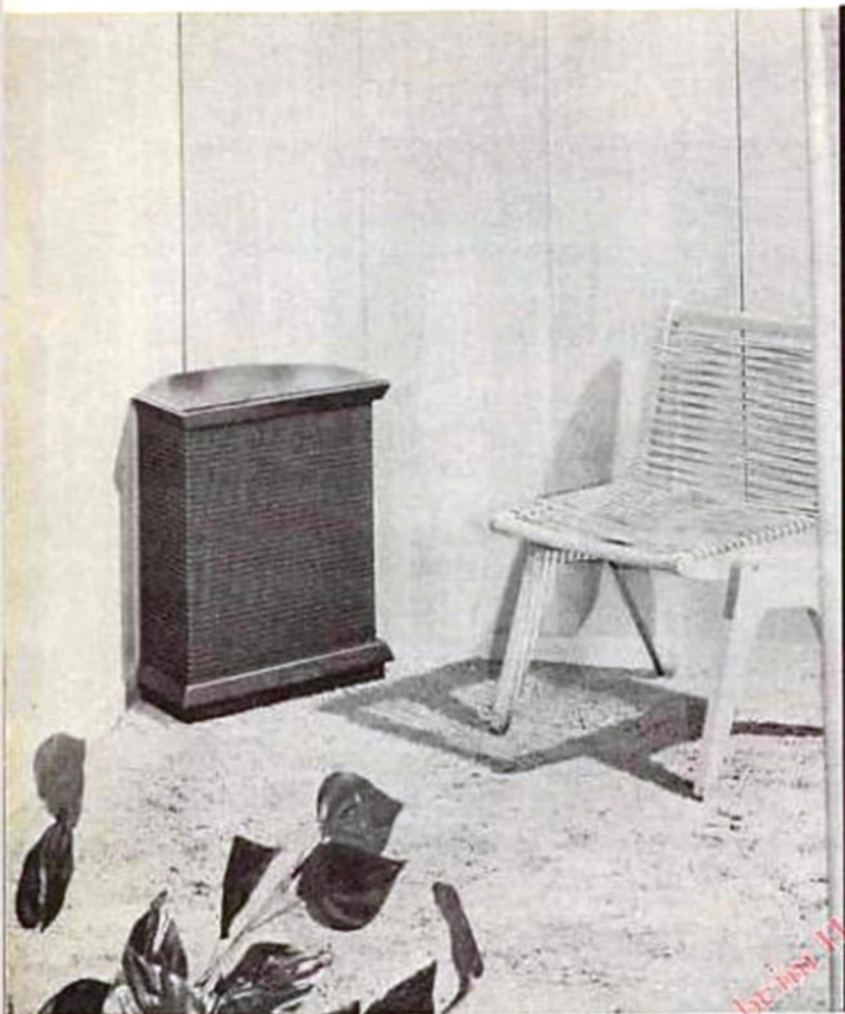
Many types of enclosures have been designed and proposed by audio experimenters over the years. Some have been soundly engineered, while others seem to have originated out of dubious theories and crude experimentation.

The Jensen-designed Cabinart Cabinet Kits presented here are the results of a background of almost 30 years of enclosure research, careful laboratory measurements including the combined performance of speaker and cabinet under various conditions of use, plus scientifically controlled listening tests.

Three types of enclosure (back-loading folded horn, Bass Ultraflex and Duette) are employed, the type being selected in each case as the one best suited to the size, type of system and the particular loudspeaker characteristics.

## WHERE TO BUY YOUR KITS

Reliable high fidelity dealers everywhere carry Cabinart Cabinet Kits and Jensen Authentic High Fidelity Loudspeaker Kits and Loudspeakers. Should your dealer be out of stock temporarily, he can obtain prompt shipment from the factory. We will be glad to send you the names of nearby dealers on request.



The Bass Ultraflex Corner enclosure design for 8" speakers utilizes front radiation directly and back radiation from the enclosure cavity to exterior openings or ports by means of a system of tunnels or ducts. This enclosure achieves reproduction at the low end of the sound spectrum superior to other enclosure designs of similar size.

**K-111** Bass Ultraflex Corner Basic Cabinet Kit ..... **\$23** net

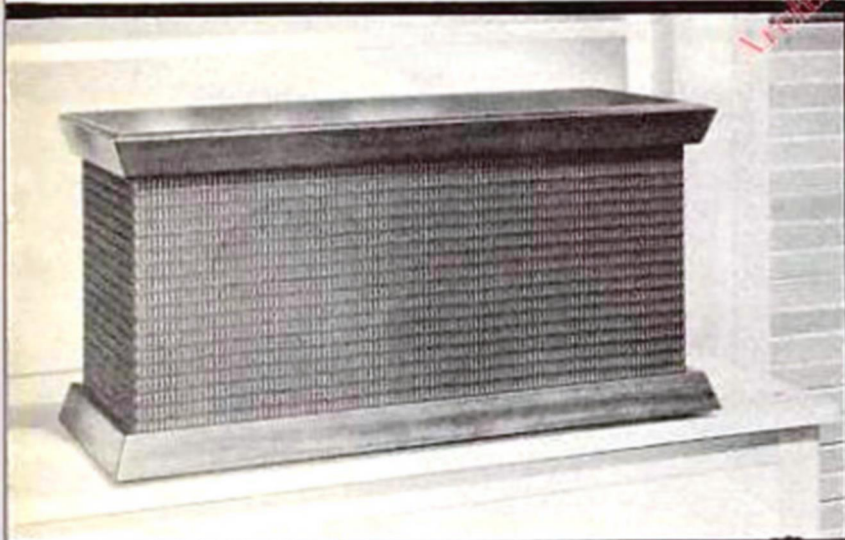
The PRE-FINISHED Bass Ultraflex Dress Kit (shown left) has been engineered as a fine furniture finish kit for the Bass Ultraflex corner enclosure and is available in a choice of hand-rubbed Mahogany or Korina (Blonde Mahogany) hardwood veneers.

Overall Dimensions: 26" High, 19¼" Wide, 14½" Front to Back.

**P-211** Bass Ultraflex PRE-FINISHED Dress Kit ..... **\$25** net

Recommended Jensen Speaker Systems:

- KDU-10 Duette Two-way System Kit
- K-80 Two-way Coaxial Loudspeaker
- P8-RX Extended Range Loudspeaker
- P8-SX Extended Range Loudspeaker



## *Duette* Treasure Chest

The Jensen Treasure Chest Duette Basic Cabinet Kit is a reproducer of the two-way divided system type with outstanding performance in book shelf size. Here, at relatively low cost in a minimum of space, is performance exceeding that obtained from many reproducers substantially larger in size.

**K-113** Treasure Chest Basic Cabinet Kit ..... **\$18** net

The Treasure Chest Duette PRE-FINISHED Exterior Dress Kit (shown left) is a hand-rubbed furniture kit designed especially for the Treasure Chest basic cabinet kit. It is available in a choice of Korina (Blonde Mahogany) or Mahogany.

Overall Dimensions: 13" High, 25½" Wide, 10⅛" Deep.

**P-213** Dress Kit for Treasure Chest Basic Cabinet Kit ..... **\$21** net

Recommended Jensen Speaker Systems:

- KDU-10 Duette Two-way System Kit
- K-80 Coaxial Two-way Loudspeaker
- P8-RX Extended Range Loudspeaker
- P8-SX Extended Range Loudspeaker

Distributed by:

**Jensen** designed loudspeaker Kits...  
and PRE-FINISHED Dress Kits by

