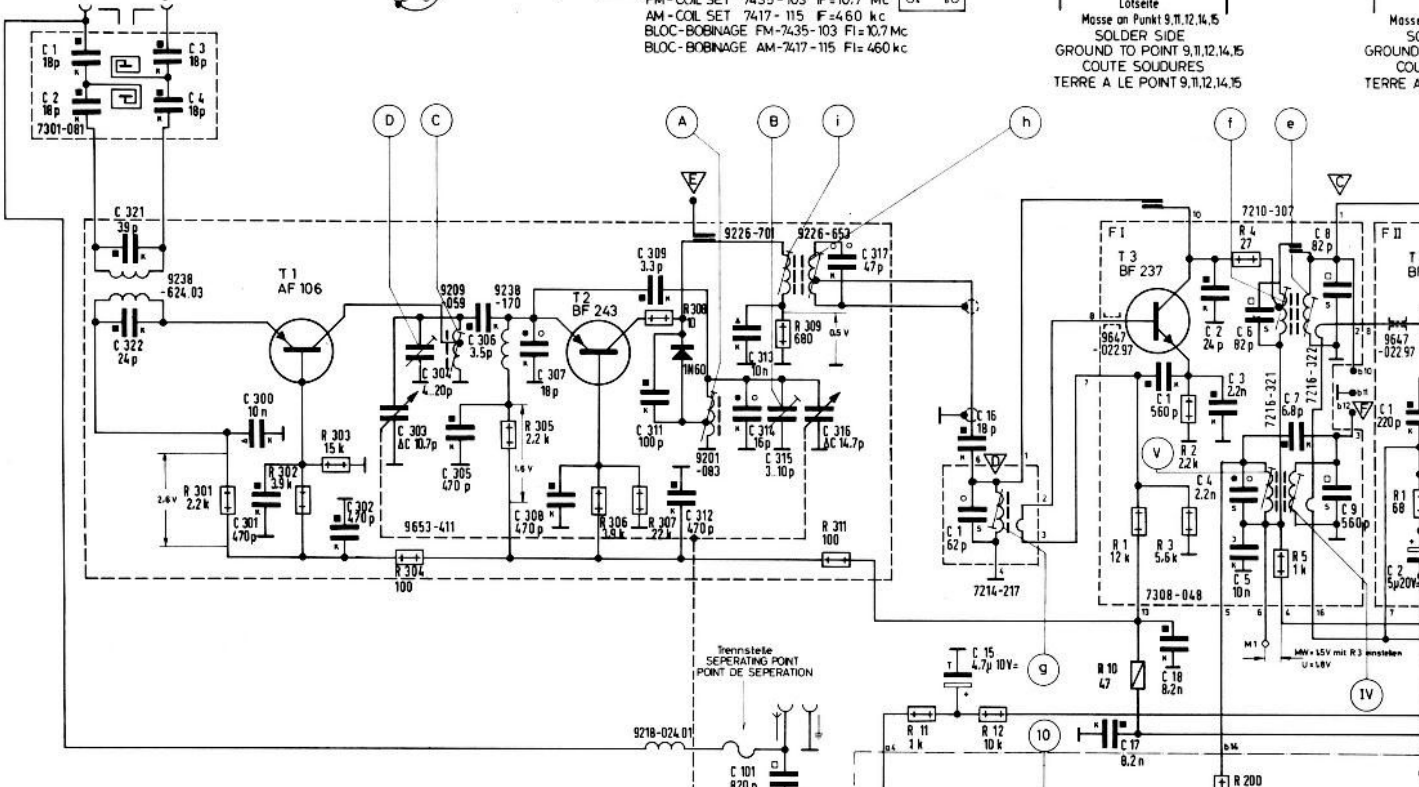
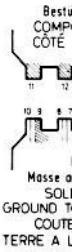
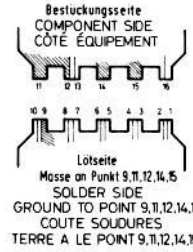


9238-070

AF 106

BF 243

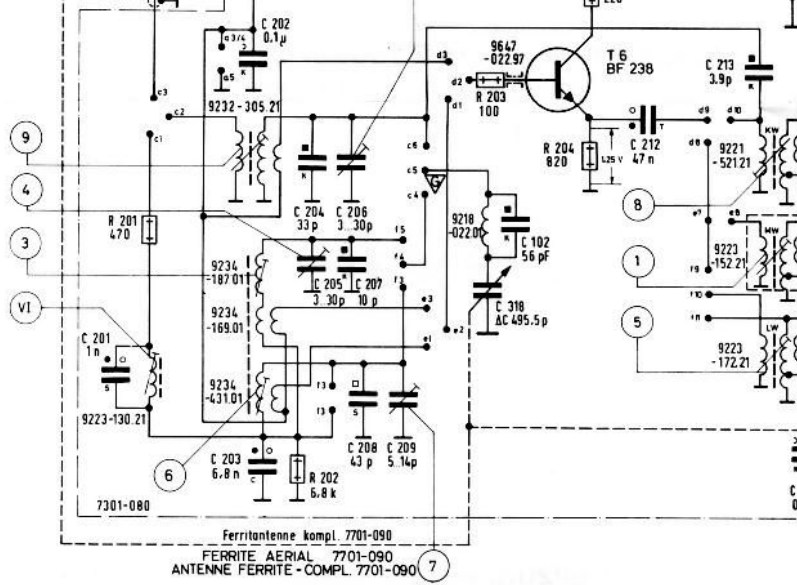
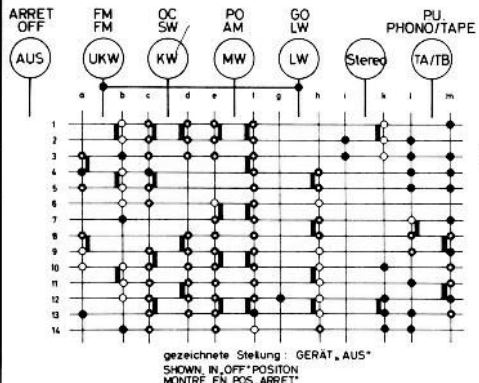
FM-Spulensatz 7435-103 ZF=10,7MHz
 AM-Spulensatz 7417-115 ZF=460kHz
 FM-COIL SET 7435-103 IF=10.7 Mc
 AM-COIL SET 7417-115 F=460 kc
 BLOC-BOBNAGE FM-7435-103 FI=10,7 Mc
 BLOC-BOBNAGE AM-7417-115 FI=460 kc



Wellenbereiche
 UKW 87.5 ... 108 MHz
 KW 5.4 ... 16.2 MHz
 MW 510 ... 1620 kHz
 LW 145 ... 350 kHz
 ZF = 460 kHz / 10.7 MHz

GAMMES D'ONDES
 FM 87.5 108 Mc
 OC 5.4 16.2 Mc
 PO 510 ... 1620 kc
 GO 145 ... 350 kc
 FI = 460 kc / 10.7 Mc

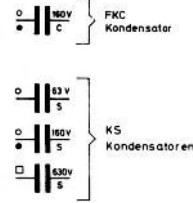
WAVE BANDS
 FM 87.5 ... 108 Mc
 SW 5.4 ... 16.2 Mc
 MW 510 ... 1620 kc
 LW 145 ... 350 kc
 IF = 460 kc / 10.7 Mc



Spannungen mit Grundig-Röhrenvoltmeter,
Strome mit Multavi 5 bei 220V-Netzspannung
ohne Signal gemessen

VOLTAGE MEASURED WITH GRUNDIG VTVM,
CURRENT WITH MULTAVI 5 AT 220V A.C. LINE
VOLTAGE MEASURED WITHOUT SIGNAL.

LA TENSION EST MESURÉE AVEC UN GRUNDIG
VOLTMÈTRE ÉLECTRONIQUE, LES COURANTS
AVEC UN MULTAVI 5 à 220V ALTERNATIF
LA TENSION DE RESEAU EST MESURÉE
SANS SIGNAL



C	1, 2	321, 322	3, 4	300, 301, 302, 303, 304, 305, 306, 307, 308	309, 310, 311, 312, 313, 314, 315, 316, 317, 318, 319, 320	202, 203, 204, 205, 206, 207, 208, 209, 210, 211, 212, 213, 214, 215, 216, 217, 218, 219, 220	17, 18, 19, 20, 21, 22, 23, 24, 25, 26, 27, 28, 29, 30, 31, 32, 33, 34, 35, 36, 37, 38, 39, 40, 41, 42, 43, 44, 45, 46, 47, 48, 49, 50, 51, 52, 53, 54, 55, 56, 57, 58, 59, 60, 61, 62, 63, 64, 65, 66, 67, 68, 69, 70, 71, 72, 73, 74, 75, 76, 77, 78, 79, 80, 81, 82, 83, 84, 85, 86, 87, 88, 89, 90, 91, 92, 93, 94, 95, 96, 97, 98, 99, 100	F I	C: 1, 2, 3, 4, 5, 6, 7, 8, 9, 10, 11, 12, 13, 14, 15, 16, 17, 18, 19, 20, 21, 22, 23, 24, 25, 26, 27, 28, 29, 30, 31, 32, 33, 34, 35, 36, 37, 38, 39, 40, 41, 42, 43, 44, 45, 46, 47, 48, 49, 50, 51, 52, 53, 54, 55, 56, 57, 58, 59, 60, 61, 62, 63, 64, 65, 66, 67, 68, 69, 70, 71, 72, 73, 74, 75, 76, 77, 78, 79, 80, 81, 82, 83, 84, 85, 86, 87, 88, 89, 90, 91, 92, 93, 94, 95, 96, 97, 98, 99, 100	F II	C: 1, 2, 3, 4, 5, 6, 7, 8, 9, 10, 11, 12, 13, 14, 15, 16, 17, 18, 19, 20, 21, 22, 23, 24, 25, 26, 27, 28, 29, 30, 31, 32, 33, 34, 35, 36, 37, 38, 39, 40, 41, 42, 43, 44, 45, 46, 47, 48, 49, 50, 51, 52, 53, 54, 55, 56, 57, 58, 59, 60, 61, 62, 63, 64, 65, 66, 67, 68, 69, 70, 71, 72, 73, 74, 75, 76, 77, 78, 79, 80, 81, 82, 83, 84, 85, 86, 87, 88, 89, 90, 91, 92, 93, 94, 95, 96, 97, 98, 99, 100
---	------	----------	------	---	--	---	---	-----	---	------	---

Bestückungsseite
COMPONENT SIDE
CÔTÉ ÉQUIPEMENT

Bestückungsseite
COMPONENT SIDE
CÔTÉ ÉQUIPEMENT

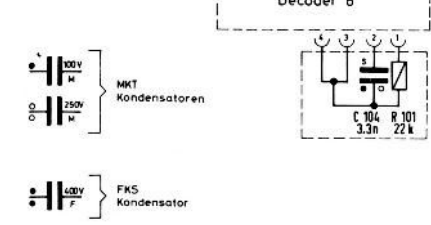
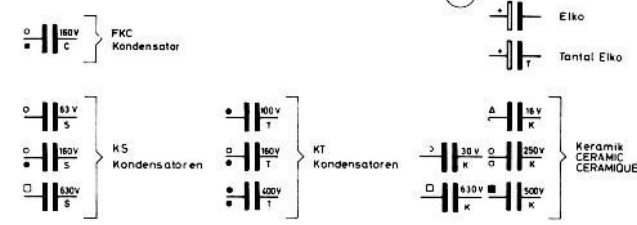
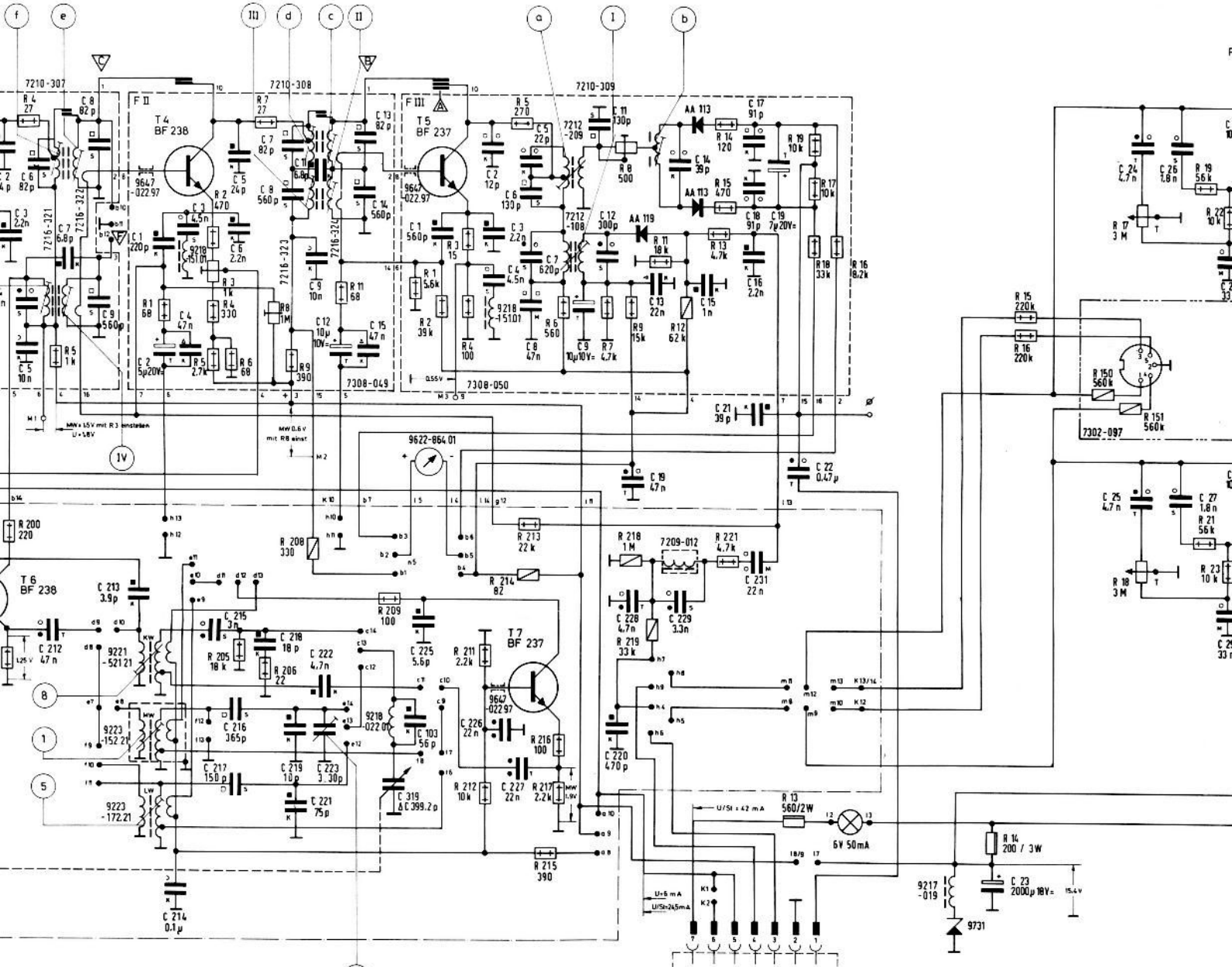
Lötseite
Masse an Punkt 9,11,12,13,16
SOLDER SIDE
GROUND TO POINT 9,11,12,13,16
COUTE SOUDURES
TERRE A LE POINT 9,11,12,13,16

Lötseite
Masse an Punkt 1,11,12,13
SOLDER SIDE
GROUND TO POINT 1,11,12,13
COUTE SOUDURES
TERRE A LE POINT 1,11,12,13

- TA 5 = Stereo rechts
2 = Masse
3 = Stereo links
- TB 1 = Aufnahme Mono
2 = Aufnahme Stereo links
3 = Wiedergabe Mono
4 = Wiedergabe Stereo links
5 = Aufnahme Stereo rechts
6 = Wiedergabe Stereo rechts

- PHONO 5 = STEREO PLAYBACK R H CHANNEL
2 = GROUND
3 = STEREO PLAYBACK L H CHANNEL
1 = MONO PLAYBACK, STEREO RECORDING L H CHANNEL
- TAPE 2 = GROUND
3 = MONO PLAYBACK, STEREO RECORDING R H CHANNEL
4 = STEREO RECORDING R H CHANNEL
5 = STEREO PLAYBACK R H CHANNEL

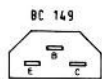
- PU 5 = STEREO
2 = MASSE
3 = STEREO
1 = ENREGIS
2 = ENREGIS
3 = REPROD
4 = REPROD
5 = REPROD



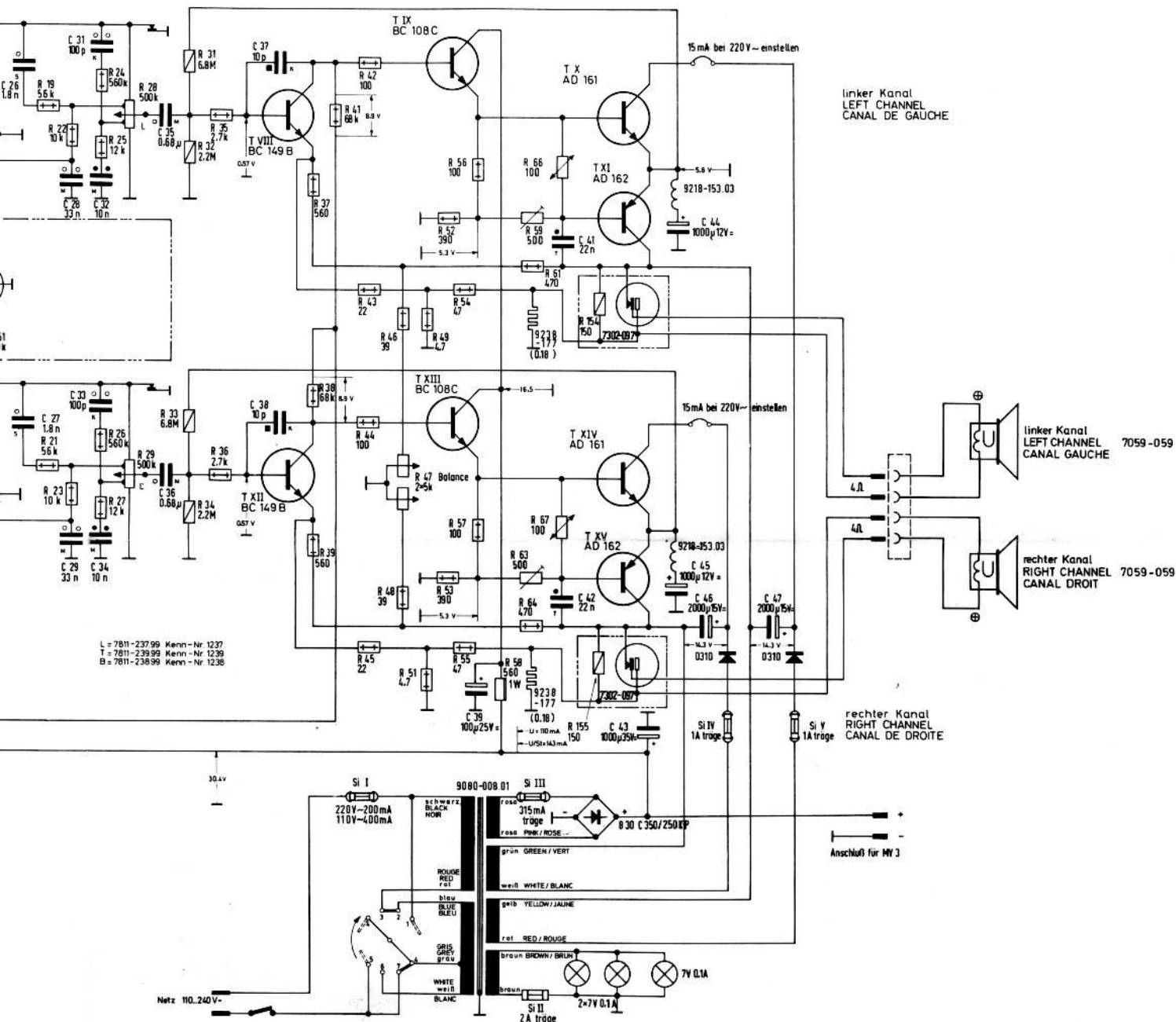
Anderungen vorbehalten
ALTERATIONS RESERVED
MODIFICATIONS RESERVÉES

2, 3, 6, 4, 5, 7, 8, 9	F II C: 1, 2, 3, 4, 5, 6, 7, 8, 11, 9, 12, 13, 14, 15, 16	F III C: 1, 2, 3, 4, 5, 6, 7, 8, 9, 11, 12, 13, 14, 15, 17, 18, 16, 19
200, 204	R: 1, 2, 3, 4, 5, 6, 7, 8, 9, 11, 103, 104, 205, 206, 207, 208, 209, 210, 211, 212, 213, 214, 215, 216, 217	R: 1, 2, 3, 4, 5, 6, 7, 8, 9, 11, 12, 13, 14, 15, 16, 17, 18, 19, 20, 21, 22, 23, 24, 25, 26, 27, 28, 29, 30, 31, 32, 33, 34, 35, 36, 37, 38, 39, 40, 41, 42, 43, 44, 45, 46, 47, 48, 49, 50, 51, 52, 53, 54, 55, 56, 57, 58, 59, 60, 61, 62, 63, 64, 65, 66, 67, 68, 69, 70, 71, 72, 73, 74, 75, 76, 77, 78, 79, 80, 81, 82, 83, 84, 85, 86, 87, 88, 89, 90, 91, 92, 93, 94, 95, 96, 97, 98, 99, 100, 101, 102, 103, 104, 105, 106, 107, 108, 109, 110, 111, 112, 113, 114, 115, 116, 117, 118, 119, 120, 121, 122, 123, 124, 125, 126, 127, 128, 129, 130, 131, 132, 133, 134, 135, 136, 137, 138, 139, 140, 141, 142, 143, 144, 145, 146, 147, 148, 149, 150, 151, 152, 153, 154, 155, 156, 157, 158, 159, 160, 161, 162, 163, 164, 165, 166, 167, 168, 169, 170, 171, 172, 173, 174, 175, 176, 177, 178, 179, 180, 181, 182, 183, 184, 185, 186, 187, 188, 189, 190, 191, 192, 193, 194, 195, 196, 197, 198, 199, 200, 201, 202, 203, 204, 205, 206, 207, 208, 209, 210, 211, 212, 213, 214, 215, 216, 217, 218, 219, 220, 221, 222, 223, 224, 225, 226, 227, 228, 229, 230, 231, 232, 233, 234, 235, 236, 237, 238, 239, 240, 241, 242, 243, 244, 245, 246, 247, 248, 249, 250, 251, 252, 253, 254, 255, 256, 257, 258, 259, 260, 261, 262, 263, 264, 265, 266, 267, 268, 269, 270, 271, 272, 273, 274, 275, 276, 277, 278, 279, 280, 281, 282, 283, 284, 285, 286, 287, 288, 289, 290, 291, 292, 293, 294, 295, 296, 297, 298, 299, 300, 301, 302, 303, 304, 305, 306, 307, 308, 309, 310, 311, 312, 313, 314, 315, 316, 317, 318, 319, 320, 321, 322, 323, 324, 325, 326, 327, 328, 329, 330, 331, 332, 333, 334, 335, 336, 337, 338, 339, 340, 341, 342, 343, 344, 345, 346, 347, 348, 349, 350, 351, 352, 353, 354, 355, 356, 357, 358, 359, 360, 361, 362, 363, 364, 365, 366, 367, 368, 369, 370, 371, 372, 373, 374, 375, 376, 377, 378, 379, 380, 381, 382, 383, 384, 385, 386, 387, 388, 389, 390, 391, 392, 393, 394, 395, 396, 397, 398, 399, 400, 401, 402, 403, 404, 405, 406, 407, 408, 409, 410, 411, 412, 413, 414, 415, 416, 417, 418, 419, 420, 421, 422, 423, 424, 425, 426, 427, 428, 429, 430, 431, 432, 433, 434, 435, 436, 437, 438, 439, 440, 441, 442, 443, 444, 445, 446, 447, 448, 449, 450, 451, 452, 453, 454, 455, 456, 457, 458, 459, 460, 461, 462, 463, 464, 465, 466, 467, 468, 469, 470, 471, 472, 473, 474, 475, 476, 477, 478, 479, 480, 481, 482, 483, 484, 485, 486, 487, 488, 489, 490, 491, 492, 493, 494, 495, 496, 497, 498, 499, 500

- 5 = STEREO DROITE
- 2 = MASSE
- 3 = STEREO GAUCHE REPRODUCTION
- 1 = ENREGISTREMENT MONO
- 2 = ENREGISTR STEREO GAUCHE
- 3 = REPRODUCTION MONO
- 2 = REPRODUC STEREO GAUCHE
- 4 = ENREGISTREMENT STEREO DROITE
- 5 = REPRODUCTION STEREO DROITE



ZF-NF Platte kompl. 7306-055
 IF BOARD 7306-055
 PLATINE FI CPL 7306-055



L = 7811-23799 Kenn-Nr 1237
 T = 7811-23999 Kenn-Nr 1239
 B = 7811-23899 Kenn-Nr 1238

Leistungsaufnahme ohne Signal
 POWER CONSUMPTION WITHOUT SIGNAL APPROX.
 PUISSANCE ABSORBEE SANS SIGNAL APPROX. ca. 11 W

beide Kanäle voll ausgesteuert
 BOTH CHANNELS FULL OUTPUT
 LES DEUX CANAUX EN MODULATION MAXIMUM ca. 24 W

26.	28.	31.	33.	35.	37.	39.	41.	44.	46.	47.														
27.	29.	32.	34.	36.	38.	40.	42.	43.	45.	48.														
152.	19.	22.	24.	26.	28.	31.	33.	35.	37.	39.	41.	42.	43.	44.	45.	46.	47.							
153.	21.	23.	25.	27.	29.	32.	34.	36.	38.	40.	42.	44.	46.	48.	51.	53.	55.	57.	58.	59.	63.	66.	154.	
																								155.

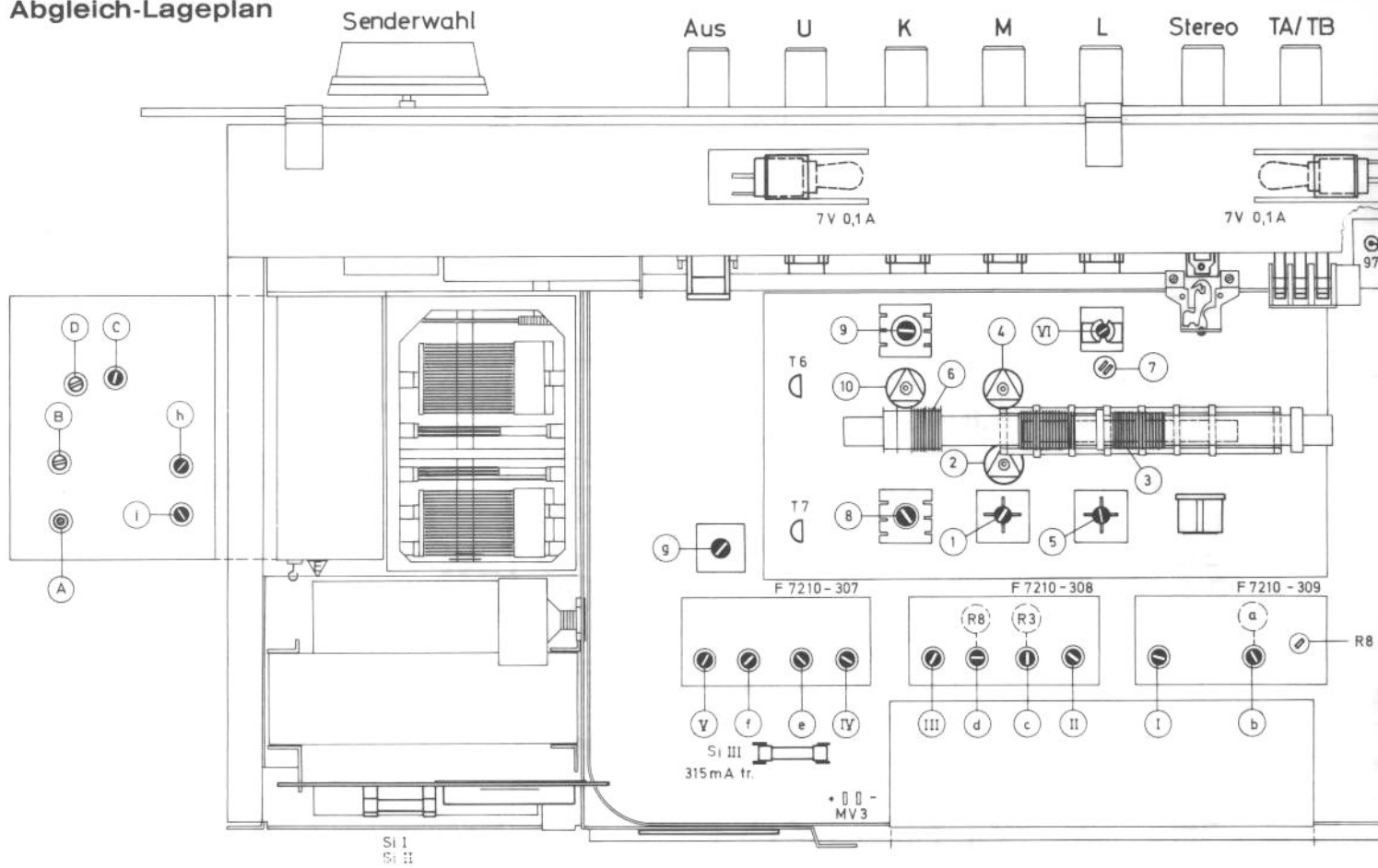
GRUNDIG® WERKE GMBH FÜRTH (BAY.)

AM/FM Grundchassis CS 155 (19-8053-1001)

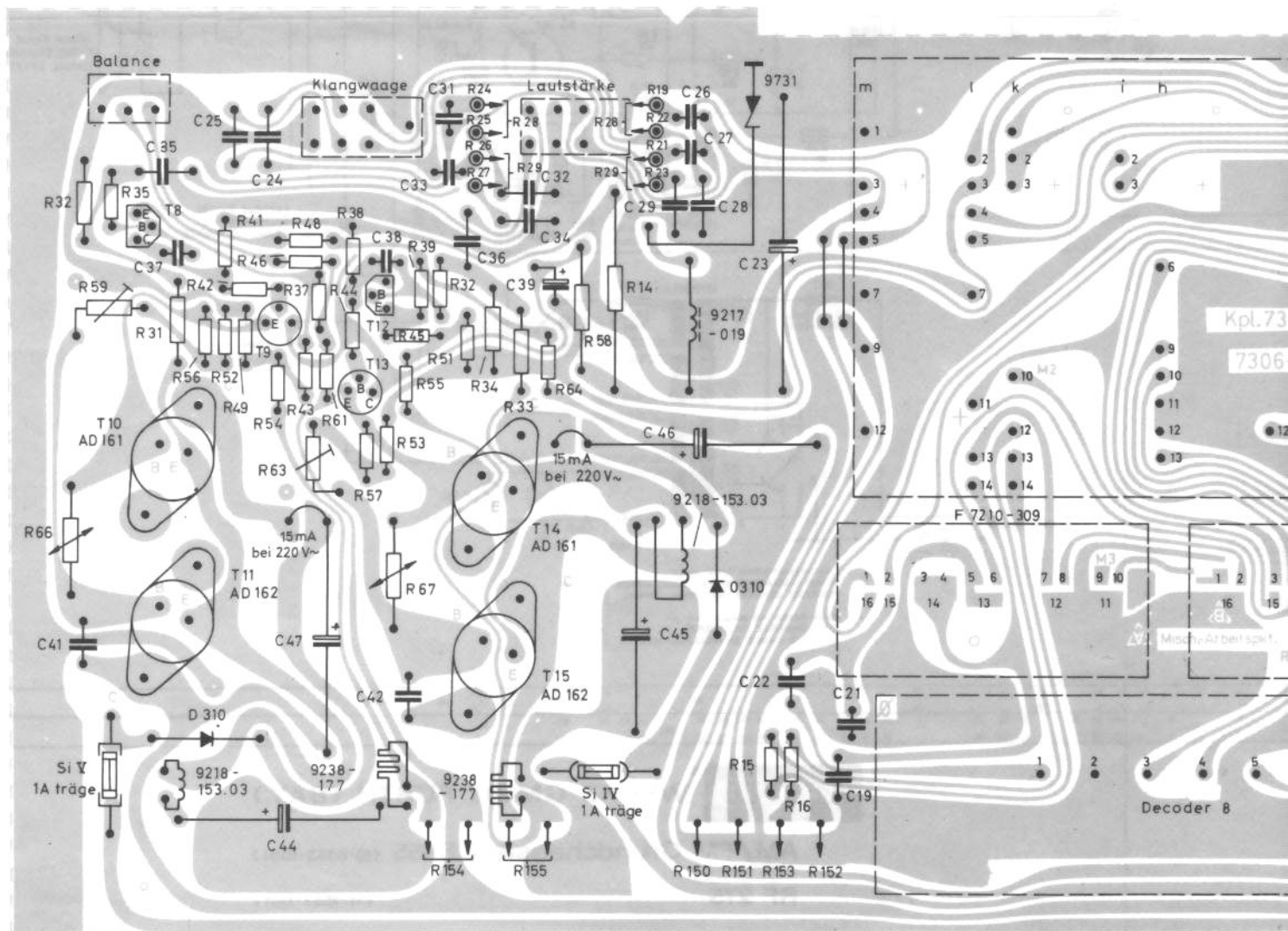
RF 275

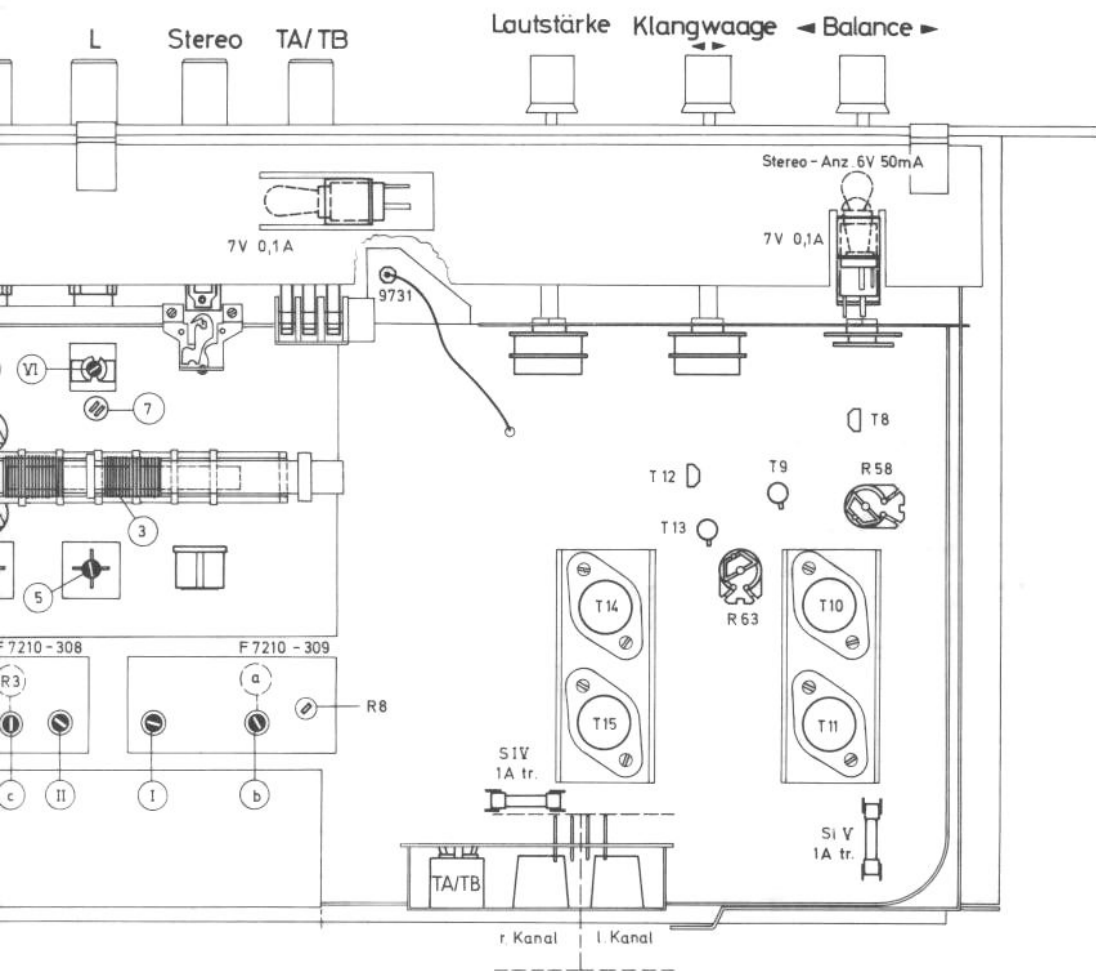
(11-1557-1101)

Abgleich-Lageplan

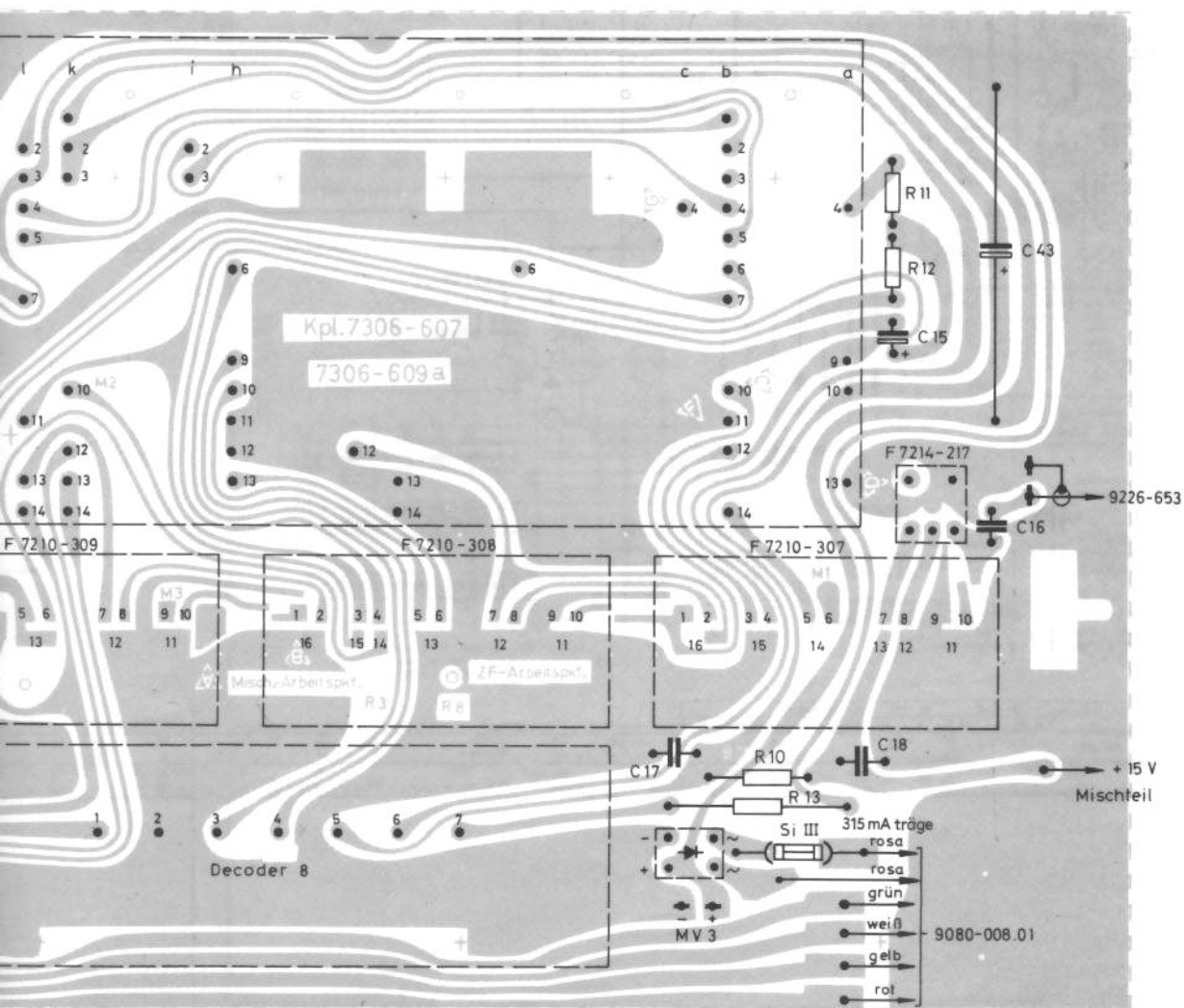


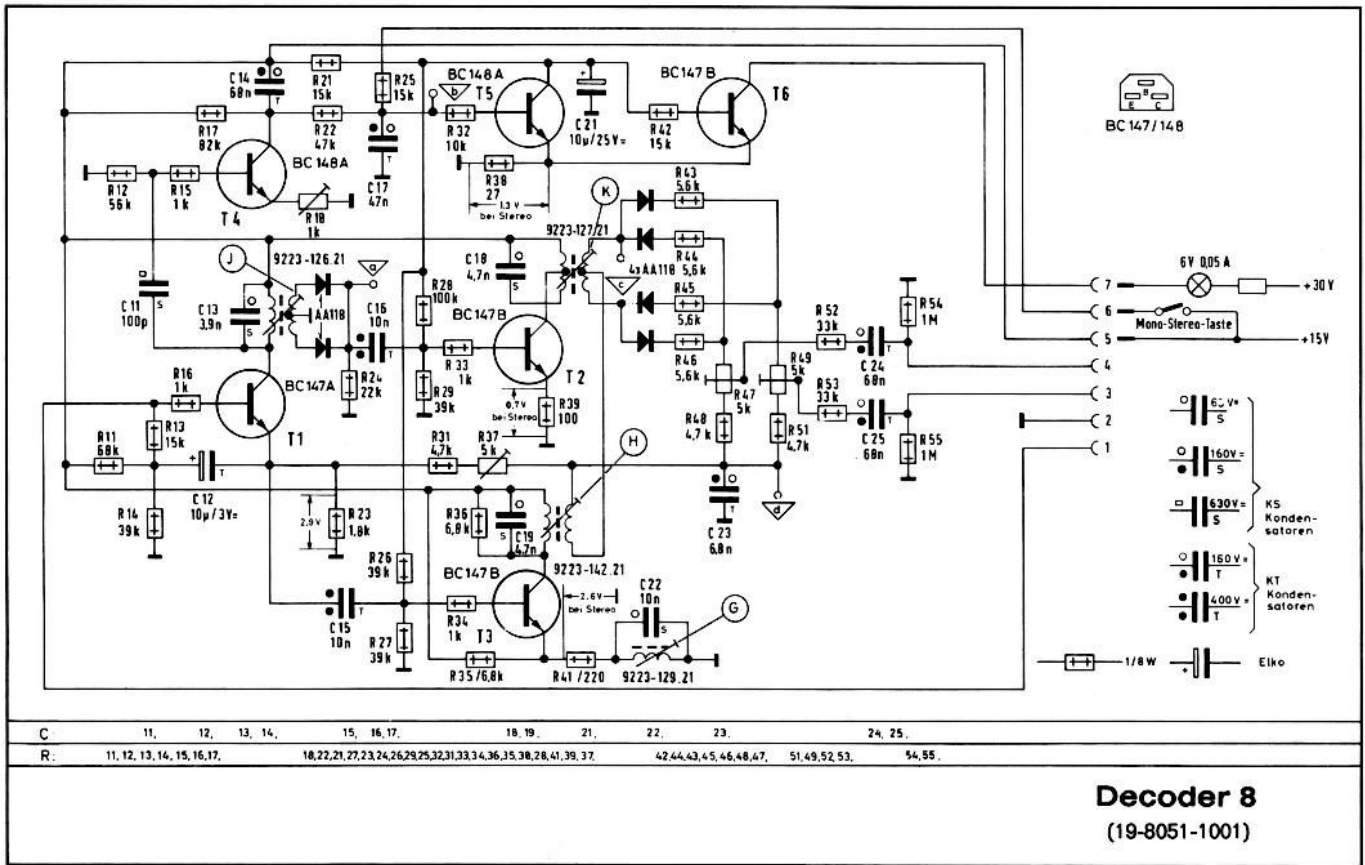
Druckschaltungsplatte, auf die Lötseite gesehen



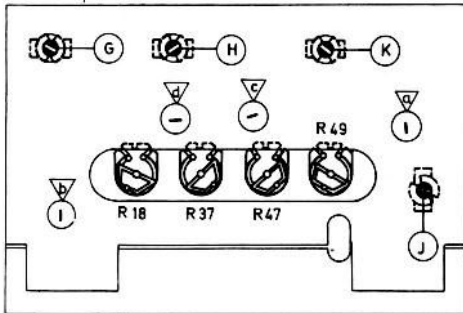


Alle Meß- und Einhängpunkte sind auf der Druckschaltungsplatte gekennzeichnet.





Abgleich-Lageplan Decoder 8



AM-FM-Seilzug, von der Skalenseite aus gesehen

Textilseil ca. 475 mm lang

Stahlseil ca. 785 mm lang

