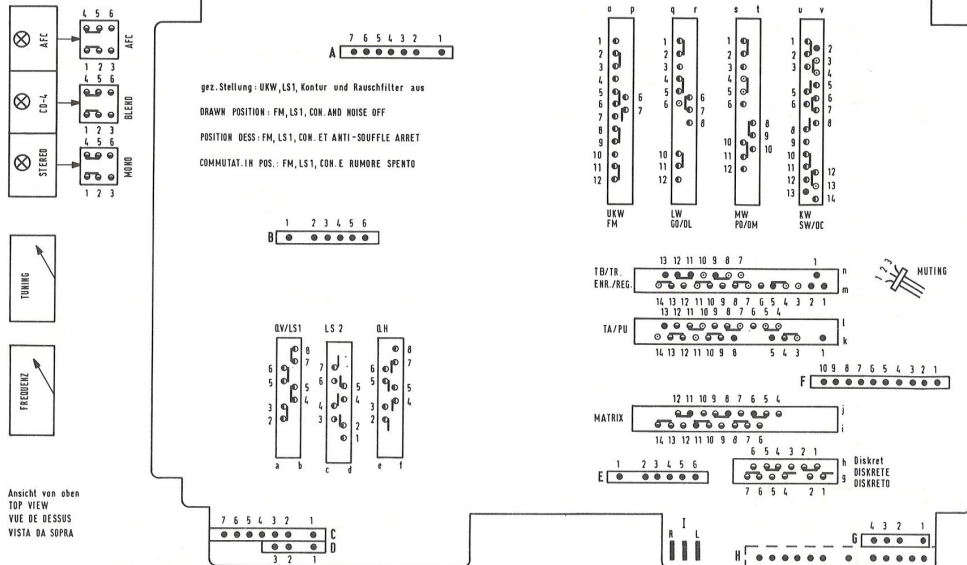
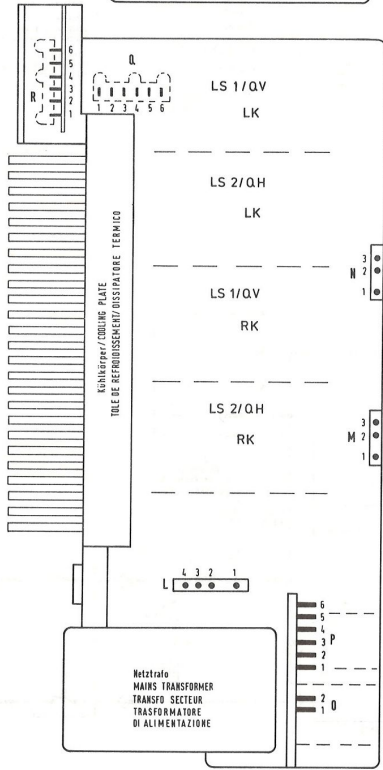


ARRANGEMENT OF PLUG CONNECTIONS AND CONTACTS/ARRANGEMENT DES CONNEXIONS ENFICHABLES ET DES CONTACTS  
 Lageplan für Steckverbindungen und Kontaktbestückung/SCHEMA PER COLLEGAMENTI E CONTATTI.



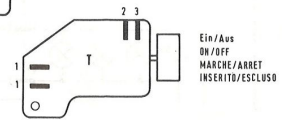
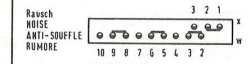
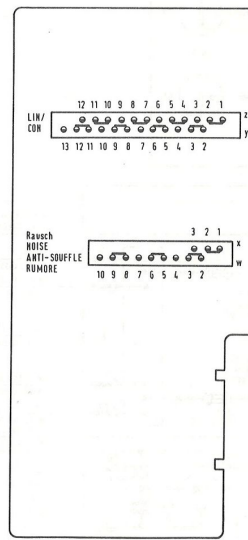
Ansicht von oben  
 TOP VIEW  
 VUE DE DESSUS  
 VISTA DA SOPRA



• Kontakt unten  
 CONTACT AT BOTTOM  
 CONTACTI IN BAS  
 CONTATTI DA SOTTO

• Kontakt oben  
 CONTACT AT TOP  
 CONTACTI DA SOPRA

• Kontakt oben und unten  
 CONTACT AT TOP AND BOTTOM  
 CONTACTI IN HAUT ET EN BAS  
 CONTATTI SOPRA E SOTTO



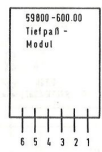
Sensorbetriebszustand „U“; Drehe eingedreht :  
 1, An A4 mit R24 30,0 V±100 mV einstellen  
 2, An A6 mit Fußpunktswiderstand von R 8001 2,7 V±50 mV einstellen  
 Die Reihenfolge der Spannungseinstellung ist unbedingt einzuhalten.

“SENSOR” OPERATING MODE “U”; VARIABLE CAPACITOR CLOSED:  
 1, ADJUST WITH R24 TO 30,0V±100 mV AT POINT A4  
 2, ADJUST WITH LOW-END POT. OF R 8001 TO 2,7 V±50 mV AT POINT A6  
 ALWAYS ENSURE CORRECT SEQUENCE OF VOLTAGE ADJUSTMENTS.

MODE DE FONCTIONNEMENT “U”; CONDENSATEUR VARIABLE FERMÉ.  
 1, AVEC R24, REGLER SUR 30,0V±100 mV AU POINT A4  
 2, AVEC LE POTENTIOMÈTRE CÔTÉ FROID DE R 8001, REGLER SUR 2,7 V±50 mV AU POINT A6  
 VEILLER TOUJOURS À L'ORDRE CORRECT DES RÉGLAGES DE TENSION.

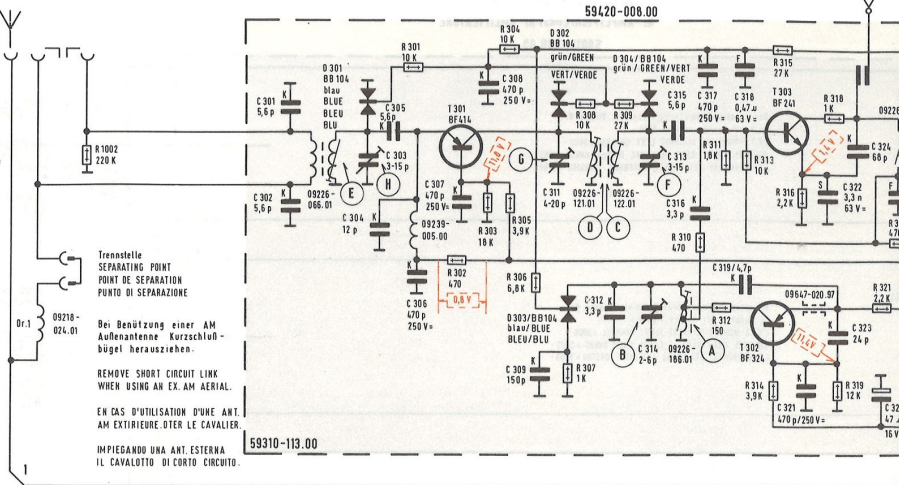
CONDIZIONE DI FUNZIONAMENTO “U”; CONDENSATORE VARIABLE RUOTATO :  
 1, REGOLARE IN A4 CON R24 PER 30,0V±100 mV.  
 2, REGOLARE IN A6 CON R8001 PER 2,7 V±50 mV  
 LA SEQUENZA DELLE REGOLAZIONI DELLE TENSIONI VA OSSERVATA. SCRUPOLOSAMENTE.

Bestückungsseite  
 COMPONENT SIDE  
 CÔTÉ D'EQUIPEMENT  
 LATO COMPONENTI



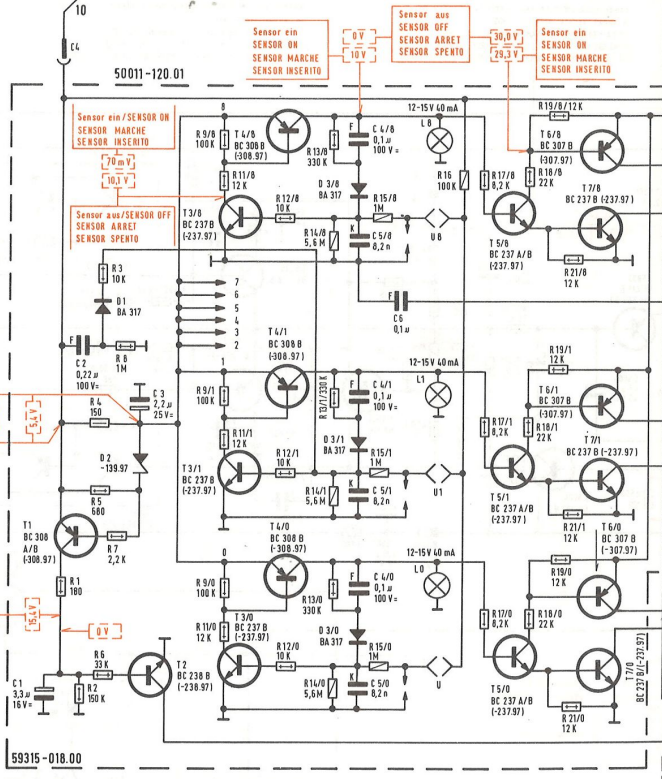
2 Sensoren eingeschaltet  
 2 SENSORS SWITCHED ON  
 2 SENSORI EN CIRCUIT  
 2 SENSORI (INSERITI)

2 Sensoren eingeschaltet  
 2 SENSORS SWITCHED ON  
 2 SENSORI EN CIRCUIT  
 2 SENSORI (INSERITI)



Trennstelle  
 SEPARATING POINT  
 POINT DE SEPARATION  
 PUNTO DI SEPARAZIONE

Bei Benutzung einer AM  
 Außenantenne Kurzschluß-  
 bügel herausziehen.  
 REMOVE SHORT CIRCUIT LINK  
 WHEN USING AN EX. AM AERIAL.  
 EN CAS D'UTILISATION D'UNE ANT.  
 EXTÉRIEURE ÔTER LE CAVALIER.  
 IMPIEGANDO UNA ANT. ESTERNA  
 IL CAVALOTTO DI CORTO CIRCUITO.



Sensor ein  
 SENSOR ON  
 SENSOR MARCHÉ  
 SENSOR INSERITO

Sensor aus  
 SENSOR OFF  
 SENSOR ARRÊTÉ  
 SENSOR SPENITO

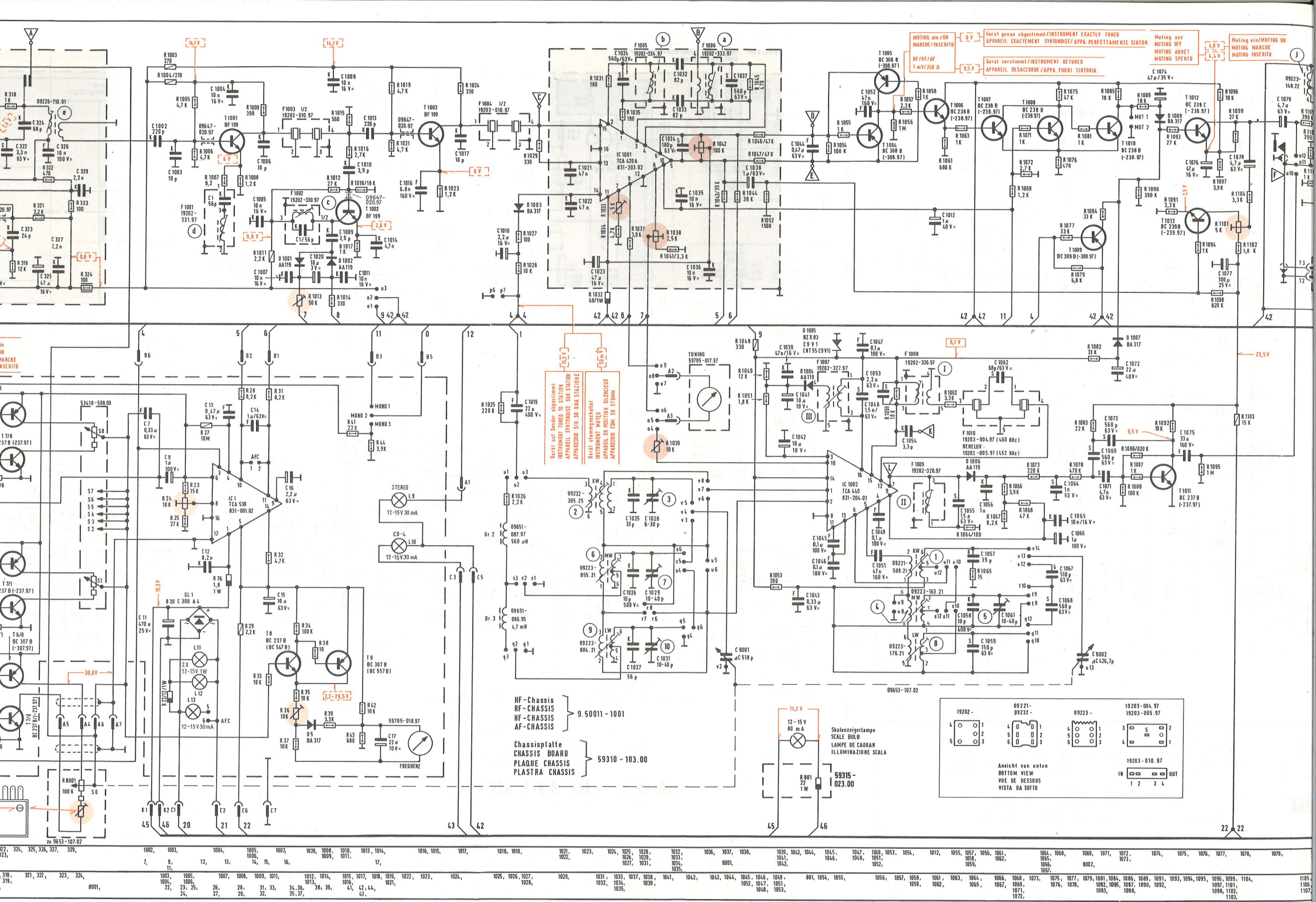
Sensor ein/SENSOR ON  
 SENSOR MARCHÉ  
 SENSOR INSERITO

Sensor aus/SENSOR OFF  
 SENSOR ARRÊTÉ  
 SENSOR SPENITO

59315-018.00

Fußpunktregler von R 8001  
 BASE CONTROL OF R 8001  
 RÉGLAGE DE BASE DE R 8001  
 REGOLAZIONE DI BASE  
 DI R 8001

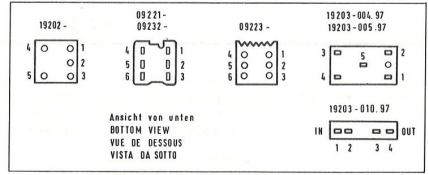
C	1001,	301,	303, 304, 305, 306,	307,	308,	309,	311,	312,	313,	314,	315,	316, 317, 318,	319,	321,	322,	323,	324,	325, 326,			
R	1001,	1002,	301,	302,	303,	304,	305,	306,	307,	308,	309,	310,	311,	312,	313,	314,	315,	316,	317, 318,	319,	321, 322,



Muting ein/ON  
 Marche/INSERITO  
 0,5 V  
 1 mV/240  $\mu$ A  
 0,5 V  
 0,5 V  
 Muting aus  
 Muting OFF  
 Muting ARRET  
 Muting SPERDIO  
 4,8 V  
 4,8 V  
 Muting ein/Muting ON  
 Muting ARRECE  
 Muting INSERITO  
 4,8 V  
 4,8 V

Gestricheltes Abgleichinstrument  
 TUNING EXACTLY TUNED TO STATION  
 APPAREIL SYNTONISÉ SUR STATION  
 Gestricheltes Abgleichinstrument  
 INSTRUMENT EXACTLY TUNED TO STATION  
 APPAREIL SYNTONISÉ SUR STATION

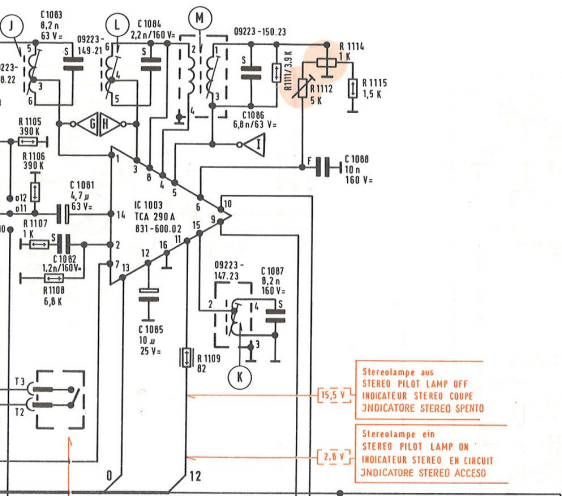
Gestricheltes Abgleichinstrument  
 INSTRUMENT EXACTLY TUNED TO STATION  
 APPAREIL SYNTONISÉ SUR STATION  
 Gestricheltes Abgleichinstrument  
 INSTRUMENT EXACTLY TUNED TO STATION  
 APPAREIL SYNTONISÉ SUR STATION



HF-Chassis  
 RF-CHASSIS  
 HF-CHASSIS  
 AF-CHASSIS  
 9 50011 - 1001

Chassisplatte  
 CHASSIS BOARD  
 PLAQUE CHASSIS  
 PLASTRA CHASSIS  
 59310 - 103.00

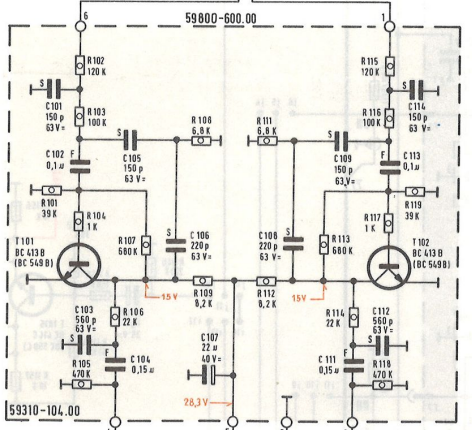
12-15 V  
 80 mA  
 22  $\mu$   
 10 V=  
 59315 -  
 023.00



am Netzschalter  
OU MAINS SWITCH  
SUR COMMANDEUR SECTEUR  
COMMANDEUR DE RESE

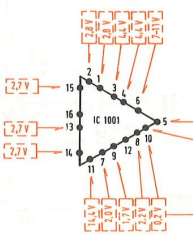
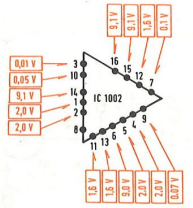
Stereolampe aus  
STEREO PILOT LAMP OFF  
INDICATEUR STEREO COUPE  
INDICATEUR STEREO SPENTO

Stereolampe ein  
STEREO PILOT LAMP ON  
INDICATEUR STEREO EN CIRCUIT  
INDICATEUR STEREO ACCESS



Stromstrom beim Einschalten=300 mA  
PEAK CURRENT WHEN SWITCHING ON=300 mA  
CORANT DE PRIETE EN MISE EN MARCHE=300mA  
SPURTO ALL' ACCENSIONE=300 mA

Mono gedrückt  
MONO DEPRESSE / MONO ENCLACHE  
MONO PREMUTO

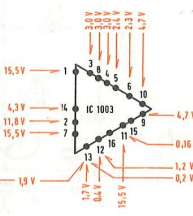


ohne Signal, Muting aus  
NO SIGNAL, MUTING OFF  
SANS SIGNAL, MUTING ARRET  
SENZA SEGNALE, MUTING SPERTO

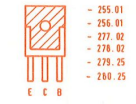
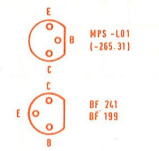
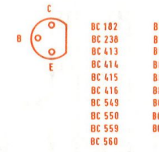
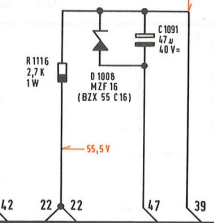
$V_E = 1 \text{ mV/240 } \mu\text{A}$

AFC aus  
AFC OFF/ARRET/SPENTO

0-32 V, je nach Belastung  
0-32 V, DEPENDING ON LOAD  
0-32 V, SUIVANT LA CHARGE  
0-32 V, SECONDO IL CARICO

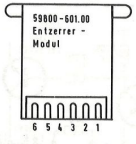


Pilothub 7,5 KHz  
PILOTE DEVIATION 7,5 KHz  
EXCURSION PILOTE 7,5 KHz  
SEGNALE PILOTA MODULATO 7,5 KHz  
 $V_E = 1 \text{ mV/240 } \mu\text{A}$



- ELKO
- Styrotex Kondensator
- Folien Kondensator
- Keramik Kondensator
- Glimmer Kondensator
- 1/8 W
- 1/3 W
- 1/2 W
- Metalloxyschichtwiderstand
- 0 B - Widerstand
- Drahtwiderstand
- nicht brennbar

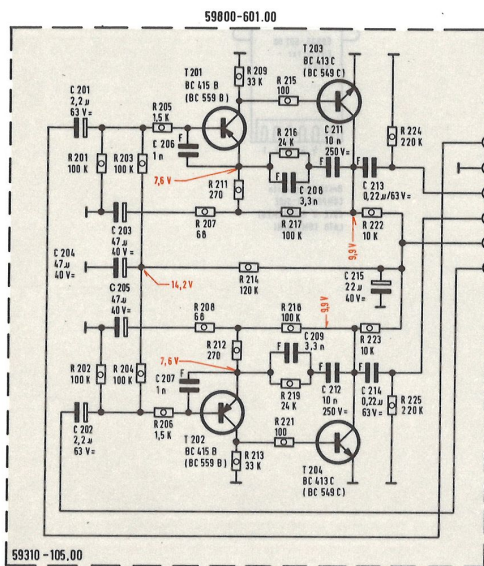
Chassisplatte  
CHASSIS BOARD  
PLAQUE CHASSIS } 59310-103.00  
PLASTRA CHASSIS



Restückungsseite  
COMPONENT SIDE  
COTE D'EQUIPEMENT  
LATO COMPONENT

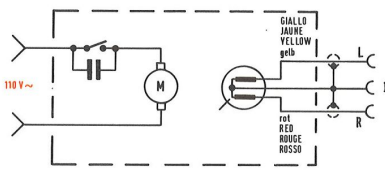
44, 43, 40, 41, 22, 20, 21, 39, 42, 47

1001, 1003, 1084, 1085, 1098, 1099, 1091,  
101, 102, 103, 104, 105, 106, 107, 108, 109, 110, 111, 112, 113, 114,  
1105, 1106, 1109, 1111, 1112, 1113, 1114, 1115,  
1107, 101, 102, 104, 105, 107, 108, 109, 111, 112, 113, 114, 115, 117, 119,  
103, 105, 109, 112, 116, 118



59310-105.00

Laufwerk  
DRIVE UNIT  
MECANISME D'ENTRAÎNEMENT  
MECHANISMO  
Dual 1228



**10/AV/ST**

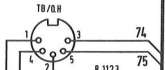
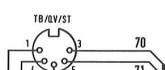
1= Aufnahme, Quadro links vorne, Stereo links.  
RECORDING, QUADRO FRONT LEFT, STEREO LEFT.  
ENREG. QUADRO GAUCHE AVANT, STEREO GAUCHE.  
REGISTRAZIONE, QUADRO ANTERIORE SINISTRO.

2= Masse/GROUND/MASSA

3= Wiedergabe, Quadro links vorne, Stereo links.  
PLAYBACK, QUADRO FRONT LEFT, STEREO LEFT.  
REPROD. QUADRO GAUCHE AVANT, STEREO GAUCHE.  
ASCOLTO, QUADRO ANTERIORE SINISTRO.

4= Aufnahme, Quadro rechts vorne, Stereo rechts.  
RECORDING, QUADRO FRONT RIGHT, STEREO RIGHT.  
ENREG. QUADRO DROIT AVANT, STEREO DROITE.  
REGISTRAZIONE, QUADRO ANTERIORE DESTRO, STEREO DESTRO.

5= Wiedergabe, Quadro links hinten, Stereo links.  
PLAYBACK, QUADRO FRONT RIGHT, STEREO RIGHT.  
REPROD. QUADRO DROIT AVANT, STEREO DROIT.  
ASCOLTO, QUADRO ANTERIORE DESTRO, STEREO DESTRO.



**10/DR**

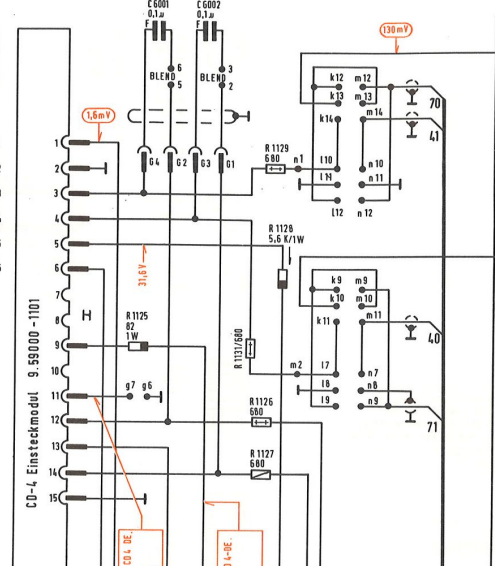
1= Aufnahme, Quadro links hinten, (Stereo links).  
RECORDING QUADRO REAR LEFT (STEREO LEFT).  
ENREG. QUADRO GAUCHE ARRIERE (STEREO GAUCHE).  
REGISTRAZIONE QUADRO POSTERIORE SINISTRO (STEREO SINISTRO).

2= Masse/GROUND/MASSA

3= Wiedergabe, Quadro links hinten.  
PLAYBACK QUADRO REAR LEFT.  
REPROD. QUADRO GAUCHE ARRIERE.  
ASCOLTO QUADRO POSTERIORE SINISTRO.

4= Aufnahme, Quadro rechts hinten (Stereo rechts).  
RECORDING QUADRO REAR RIGHT (STEREO RIGHT).  
ENREG. QUADRO DROIT ARRIERE (STEREO DROITE).  
REGISTRAZIONE QUADRO POSTERIORE DESTRO (STEREO DESTRO).

5= Wiedergabe, Quadro rechts hinten.  
PLAYBACK QUADRO REAR RIGHT.  
REPROD. QUADRO DROIT ARRIERE.  
ASCOLTO QUADRO POSTERIORE DESTRO.



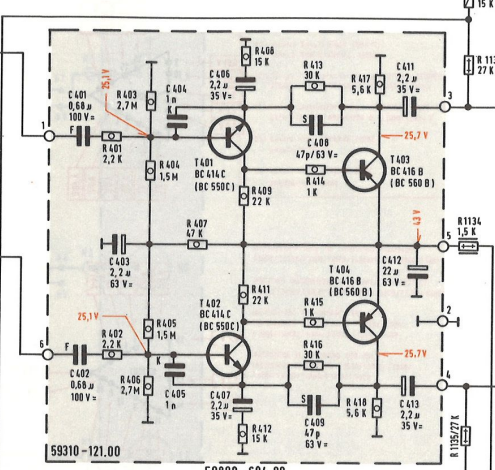
CD-4, Einsteckmodul, 9.59000-1101

TA mit CD L. Decoder/PU WITH CD L-RE.  
PU AVEC DECODEUR CD L.  
TA CON DECODIFICAZIONE CD L.

TA mit CD L. Decoder/PU WITH CD L-RE.  
PU AVEC DECODEUR CD L.  
TA CON DECODIFICAZIONE CD L.

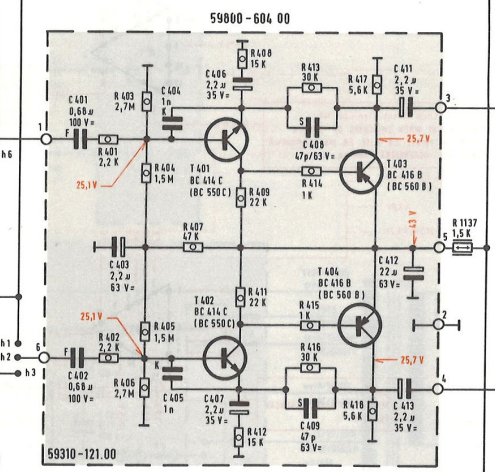
CD L-LAMP. mit / CD L-LAMP. WITH  
CD L-INDICATEUR COMPE/CD L-LAMP. WITH  
CD L-INDICAZIONE COMPE/CD L-LAMP. WITH  
CD L-INDICAZIONE COMPE/CD L-LAMP. WITH

15,5 V TA/PU



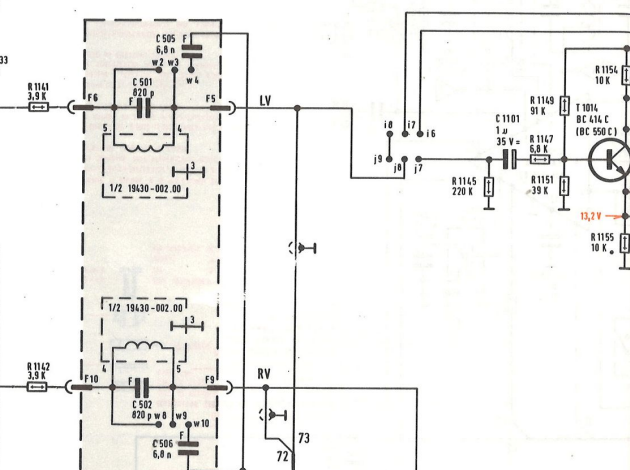
59310-121.00

59800-604.00



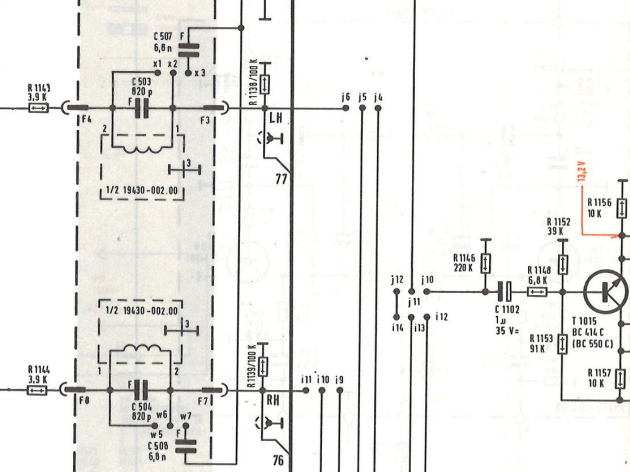
59310-121.00

59800-604.00



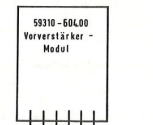
59310-121.00

59800-604.00



59310-121.00

59800-604.00



Bestückungsseite  
COMPONENT SIDE  
COTE D'EQUIPEMENT  
LATO COMPONENTI

Vornummern für Dioden und Transistoren  
INDEX NUMBER FOR DIODES AND TRANSISTORS  
CHIFFRES PRELÈVES POUR DIODES ET TRANSISTORS  
SIGLA PER DIODI E TRANSISTORI

Ersetztypen in Klammern ( )  
INTERCHANGEABLE TYPES IN BRACKETS ( )  
TYPES DE REMPLACE EN PARENTHESES ( )  
TIPI DI RICAMBIO IN ( )

201,	203,	206,	208,	211,	213,	215,
202,	204,	205,	207,	209,	212,	214,
205,	206,	207,	208,	209,	210,	211,
212,	213,	214,	215,	216,	217,	218,
219,	220,	221,	222,	223,	224,	225,

6001,	6002,
-------	-------

1125,
-------

1126,	1127,	1128,	1129,	1130,	1131,
-------	-------	-------	-------	-------	-------

401,	402,	403,	404,	405,	406,	407,	408,	409,
------	------	------	------	------	------	------	------	------

401,	402,	403,	404,	405,	406,	407,	408,	409,
410,	411,	412,	413,	414,	415,	416,	417,	418,

1132,	1133,	1134,	1135,
-------	-------	-------	-------

1132,	1133,	1134,	1135,
-------	-------	-------	-------

501,	502,	503,	504,	505,	506,	507,	508,
------	------	------	------	------	------	------	------

501,	502,	503,	504,	505,	506,	507,	508,
------	------	------	------	------	------	------	------

1138,
-------

1138,
-------

1145,	1146,	1147,	1148,	1149,	1150,
-------	-------	-------	-------	-------	-------

1145,	1146,	1147,	1148,	1149,	1150,
-------	-------	-------	-------	-------	-------

1151,	1152,	1153,	1154,	1155,
-------	-------	-------	-------	-------

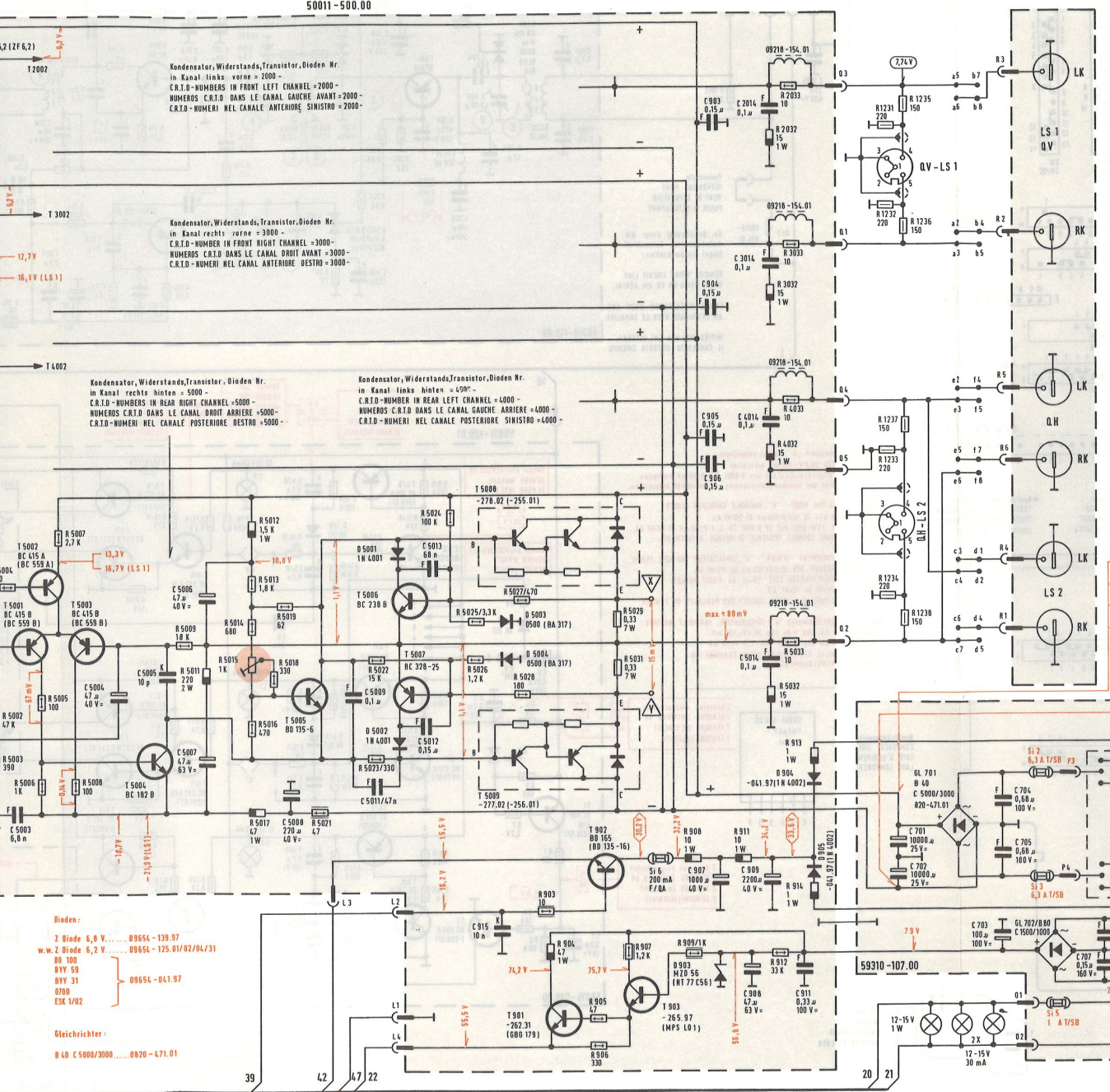
1151,	1152,	1153,	1154,	1155,
-------	-------	-------	-------	-------

1156,	1157,
-------	-------

1156,	1157,
-------	-------



NF-Verstärker / NF-AMPLIFIER  
NF-AMPLIFICATEURS / NF-AMPLIFICATEUR  
50011-500.00



LE- linker Kanal / LEFT CHANNEL  
CANALE GAUCHE / CANAL SINISTRO  
RE- rechter Kanal / RIGHT CHANNEL  
CANALE DESTRO / CANAL DESTRO  
LS1-Stereo-Lautsprechergruppe 1 / STEREO-SPEAKER GROUP 1  
STEREO - GROUP HP / GRUPPO D'ALTOPARLANTI 1  
LS2-Stereo-Lautsprechergruppe 2 / STEREO-SPEAKER GROUP 2  
STEREO - GROUP HP / GRUPPO D'ALTOPARLANTI 2  
QV- Quader vorne / DIAPHR. FRONT  
AVANT / ANTERIEUR  
QV- Quader hinten / DIAPHR. BACK  
ARRIERE / POSTERIEUR

Reihstrominstellung  
Ohne Lautsprecherabgleich mit R5016/R5017/2015 Spannungsabfall  
an R5020-R5021/R5022-R5023-R5024-R5025-R5026-R5027-R5028-R5029  
auf 15 mV einstellen. (Merkpunkt  $\nabla \nabla$ )  
SETTING OF CURRENTS  
WITH LOUSPEAKER ADJUST R5016/R5017/2015/2016/2017/2018/2019/2020/2021/2022/2023/2024/2025/2026/2027/2028/2029  
TO OBTAIN A POTENTIAL DROP ACCROSS R5020-R5021-R5022-R5023-R5024-R5025-R5026-R5027-R5028-R5029  
OF 15 mV (TEST POINT  $\nabla \nabla$ )  
REGLAGE DU COURANT DE REPS  
SANS CHARGE HP REGLER R5016/R5017/2015 LA CHUTE DE TENSION  
AUX BORNES DE R5020-R5021-R5022-R5023-R5024-R5025-R5026-R5027-R5028-R5029 A 15 mV (POINTS DE MESSURE  $\nabla \nabla$ )  
REGOLAZIONE CORRENTE DI RIPOSO  
SENZA LOUSPEAKER ADJUST R5016/R5017/2015/2016/2017/2018/2019/2020/2021/2022/2023/2024/2025/2026/2027/2028/2029  
PORTANDO IL VALORE A 15 mV (PUNTI DI MISURA  $\nabla \nabla$ )

Montageanleitung für Leistungstransistoren  
T3000/T3001/T3002/T3003/T3004/T3005/T3006/T3007/T3008/T3009/T3010/T3011/T3012/T3013/T3014/T3015/T3016/T3017/T3018/T3019/T3020/T3021/T3022/T3023/T3024/T3025/T3026/T3027/T3028/T3029/T3030/T3031/T3032/T3033/T3034/T3035/T3036/T3037/T3038/T3039/T3040/T3041/T3042/T3043/T3044/T3045/T3046/T3047/T3048/T3049/T3050/T3051/T3052/T3053/T3054/T3055/T3056/T3057/T3058/T3059/T3060/T3061/T3062/T3063/T3064/T3065/T3066/T3067/T3068/T3069/T3070/T3071/T3072/T3073/T3074/T3075/T3076/T3077/T3078/T3079/T3080/T3081/T3082/T3083/T3084/T3085/T3086/T3087/T3088/T3089/T3090/T3091/T3092/T3093/T3094/T3095/T3096/T3097/T3098/T3099/T3100/T3101/T3102/T3103/T3104/T3105/T3106/T3107/T3108/T3109/T3110/T3111/T3112/T3113/T3114/T3115/T3116/T3117/T3118/T3119/T3120/T3121/T3122/T3123/T3124/T3125/T3126/T3127/T3128/T3129/T3130/T3131/T3132/T3133/T3134/T3135/T3136/T3137/T3138/T3139/T3140/T3141/T3142/T3143/T3144/T3145/T3146/T3147/T3148/T3149/T3150/T3151/T3152/T3153/T3154/T3155/T3156/T3157/T3158/T3159/T3160/T3161/T3162/T3163/T3164/T3165/T3166/T3167/T3168/T3169/T3170/T3171/T3172/T3173/T3174/T3175/T3176/T3177/T3178/T3179/T3180/T3181/T3182/T3183/T3184/T3185/T3186/T3187/T3188/T3189/T3190/T3191/T3192/T3193/T3194/T3195/T3196/T3197/T3198/T3199/T3200/T3201/T3202/T3203/T3204/T3205/T3206/T3207/T3208/T3209/T3210/T3211/T3212/T3213/T3214/T3215/T3216/T3217/T3218/T3219/T3220/T3221/T3222/T3223/T3224/T3225/T3226/T3227/T3228/T3229/T3230/T3231/T3232/T3233/T3234/T3235/T3236/T3237/T3238/T3239/T3240/T3241/T3242/T3243/T3244/T3245/T3246/T3247/T3248/T3249/T3250/T3251/T3252/T3253/T3254/T3255/T3256/T3257/T3258/T3259/T3260/T3261/T3262/T3263/T3264/T3265/T3266/T3267/T3268/T3269/T3270/T3271/T3272/T3273/T3274/T3275/T3276/T3277/T3278/T3279/T3280/T3281/T3282/T3283/T3284/T3285/T3286/T3287/T3288/T3289/T3290/T3291/T3292/T3293/T3294/T3295/T3296/T3297/T3298/T3299/T3300/T3301/T3302/T3303/T3304/T3305/T3306/T3307/T3308/T3309/T3310/T3311/T3312/T3313/T3314/T3315/T3316/T3317/T3318/T3319/T3320/T3321/T3322/T3323/T3324/T3325/T3326/T3327/T3328/T3329/T3330/T3331/T3332/T3333/T3334/T3335/T3336/T3337/T3338/T3339/T3340/T3341/T3342/T3343/T3344/T3345/T3346/T3347/T3348/T3349/T3350/T3351/T3352/T3353/T3354/T3355/T3356/T3357/T3358/T3359/T3360/T3361/T3362/T3363/T3364/T3365/T3366/T3367/T3368/T3369/T3370/T3371/T3372/T3373/T3374/T3375/T3376/T3377/T3378/T3379/T3380/T3381/T3382/T3383/T3384/T3385/T3386/T3387/T3388/T3389/T3390/T3391/T3392/T3393/T3394/T3395/T3396/T3397/T3398/T3399/T3400/T3401/T3402/T3403/T3404/T3405/T3406/T3407/T3408/T3409/T3410/T3411/T3412/T3413/T3414/T3415/T3416/T3417/T3418/T3419/T3420/T3421/T3422/T3423/T3424/T3425/T3426/T3427/T3428/T3429/T3430/T3431/T3432/T3433/T3434/T3435/T3436/T3437/T3438/T3439/T3440/T3441/T3442/T3443/T3444/T3445/T3446/T3447/T3448/T3449/T3450/T3451/T3452/T3453/T3454/T3455/T3456/T3457/T3458/T3459/T3460/T3461/T3462/T3463/T3464/T3465/T3466/T3467/T3468/T3469/T3470/T3471/T3472/T3473/T3474/T3475/T3476/T3477/T3478/T3479/T3480/T3481/T3482/T3483/T3484/T3485/T3486/T3487/T3488/T3489/T3490/T3491/T3492/T3493/T3494/T3495/T3496/T3497/T3498/T3499/T3500/T3501/T3502/T3503/T3504/T3505/T3506/T3507/T3508/T3509/T3510/T3511/T3512/T3513/T3514/T3515/T3516/T3517/T3518/T3519/T3520/T3521/T3522/T3523/T3524/T3525/T3526/T3527/T3528/T3529/T3530/T3531/T3532/T3533/T3534/T3535/T3536/T3537/T3538/T3539/T3540/T3541/T3542/T3543/T3544/T3545/T3546/T3547/T3548/T3549/T3550/T3551/T3552/T3553/T3554/T3555/T3556/T3557/T3558/T3559/T3560/T3561/T3562/T3563/T3564/T3565/T3566/T3567/T3568/T3569/T3570/T3571/T3572/T3573/T3574/T3575/T3576/T3577/T3578/T3579/T3580/T3581/T3582/T3583/T3584/T3585/T3586/T3587/T3588/T3589/T3590/T3591/T3592/T3593/T3594/T3595/T3596/T3597/T3598/T3599/T3600/T3601/T3602/T3603/T3604/T3605/T3606/T3607/T3608/T3609/T3610/T3611/T3612/T3613/T3614/T3615/T3616/T3617/T3618/T3619/T3620/T3621/T3622/T3623/T3624/T3625/T3626/T3627/T3628/T3629/T3630/T3631/T3632/T3633/T3634/T3635/T3636/T3637/T3638/T3639/T3640/T3641/T3642/T3643/T3644/T3645/T3646/T3647/T3648/T3649/T3650/T3651/T3652/T3653/T3654/T3655/T3656/T3657/T3658/T3659/T3660/T3661/T3662/T3663/T3664/T3665/T3666/T3667/T3668/T3669/T3670/T3671/T3672/T3673/T3674/T3675/T3676/T3677/T3678/T3679/T3680/T3681/T3682/T3683/T3684/T3685/T3686/T3687/T3688/T3689/T3690/T3691/T3692/T3693/T3694/T3695/T3696/T3697/T3698/T3699/T3700/T3701/T3702/T3703/T3704/T3705/T3706/T3707/T3708/T3709/T3710/T3711/T3712/T3713/T3714/T3715/T3716/T3717/T3718/T3719/T3720/T3721/T3722/T3723/T3724/T3725/T3726/T3727/T3728/T3729/T3730/T3731/T3732/T3733/T3734/T3735/T3736/T3737/T3738/T3739/T3740/T3741/T3742/T3743/T3744/T3745/T3746/T3747/T3748/T3749/T3750/T3751/T3752/T3753/T3754/T3755/T3756/T3757/T3758/T3759/T3760/T3761/T3762/T3763/T3764/T3765/T3766/T3767/T3768/T3769/T3770/T3771/T3772/T3773/T3774/T3775/T3776/T3777/T3778/T3779/T3780/T3781/T3782/T3783/T3784/T3785/T3786/T3787/T3788/T3789/T3790/T3791/T3792/T3793/T3794/T3795/T3796/T3797/T3798/T3799/T3800/T3801/T3802/T3803/T3804/T3805/T3806/T3807/T3808/T3809/T3810/T3811/T3812/T3813/T3814/T3815/T3816/T3817/T3818/T3819/T3820/T3821/T3822/T3823/T3824/T3825/T3826/T3827/T3828/T3829/T3830/T3831/T3832/T3833/T3834/T3835/T3836/T3837/T3838/T3839/T3840/T3841/T3842/T3843/T3844/T3845/T3846/T3847/T3848/T3849/T3850/T3851/T3852/T3853/T3854/T3855/T3856/T3857/T3858/T3859/T3860/T3861/T3862/T3863/T3864/T3865/T3866/T3867/T3868/T3869/T3870/T3871/T3872/T3873/T3874/T3875/T3876/T3877/T3878/T3879/T3880/T3881/T3882/T3883/T3884/T3885/T3886/T3887/T3888/T3889/T3890/T3891/T3892/T3893/T3894/T3895/T3896/T3897/T3898/T3899/T3900/T3901/T3902/T3903/T3904/T3905/T3906/T3907/T3908/T3909/T3910/T3911/T3912/T3913/T3914/T3915/T3916/T3917/T3918/T3919/T3920/T3921/T3922/T3923/T3924/T3925/T3926/T3927/T3928/T3929/T3930/T3931/T3932/T3933/T3934/T3935/T3936/T3937/T3938/T3939/T3940/T3941/T3942/T3943/T3944/T3945/T3946/T3947/T3948/T3949/T3950/T3951/T3952/T3953/T3954/T3955/T3956/T3957/T3958/T3959/T3960/T3961/T3962/T3963/T3964/T3965/T3966/T3967/T3968/T3969/T3970/T3971/T3972/T3973/T3974/T3975/T3976/T3977/T3978/T3979/T3980/T3981/T3982/T3983/T3984/T3985/T3986/T3987/T3988/T3989/T3990/T3991/T3992/T3993/T3994/T3995/T3996/T3997/T3998/T3999/T4000/T4001/T4002/T4003/T4004/T4005/T4006/T4007/T4008/T4009/T4010/T4011/T4012/T4013/T4014/T4015/T4016/T4017/T4018/T4019/T4020/T4021/T4022/T4023/T4024/T4025/T4026/T4027/T4028/T4029/T4030/T4031/T4032/T4033/T4034/T4035/T4036/T4037/T4038/T4039/T4040/T4041/T4042/T4043/T4044/T4045/T4046/T4047/T4048/T4049/T4050/T4051/T4052/T4053/T4054/T4055/T4056/T4057/T4058/T4059/T4060/T4061/T4062/T4063/T4064/T4065/T4066/T4067/T4068/T4069/T4070/T4071/T4072/T4073/T4074/T4075/T4076/T4077/T4078/T4079/T4080/T4081/T4082/T4083/T4084/T4085/T4086/T4087/T4088/T4089/T4090/T4091/T4092/T4093/T4094/T4095/T4096/T4097/T4098/T4099/T4100/T4101/T4102/T4103/T4104/T4105/T4106/T4107/T4108/T4109/T4110/T4111/T4112/T4113/T4114/T4115/T4116/T4117/T4118/T4119/T4120/T4121/T4122/T4123/T4124/T4125/T4126/T4127/T4128/T4129/T4130/T4131/T4132/T4133/T4134/T4135/T4136/T4137/T4138/T4139/T4140/T4141/T4142/T4143/T4144/T4145/T4146/T4147/T4148/T4149/T4150/T4151/T4152/T4153/T4154/T4155/T4156/T4157/T4158/T4159/T4160/T4161/T4162/T4163/T4164/T4165/T4166/T4167/T4168/T4169/T4170/T4171/T4172/T4173/T4174/T4175/T4176/T4177/T4178/T4179/T4180/T4181/T4182/T4183/T4184/T4185/T4186/T4187/T4188/T4189/T4190/T4191/T4192/T4193/T4194/T4195/T4196/T4197/T4198/T4199/T4200/T4201/T4202/T4203/T4204/T4205/T4206/T4207/T4208/T4209/T4210/T4211/T4212/T4213/T4214/T4215/T4216/T4217/T4218/T4219/T4220/T4221/T4222/T4223/T4224/T4225/T4226/T4227/T4228/T4229/T4230/T4231/T4232/T4233/T4234/T4235/T4236/T4237/T4238/T4239/T4240/T4241/T4242/T4243/T4244/T4245/T4246/T4247/T4248/T4249/T4250/T4251/T4252/T4253/T4254/T4255/T4256/T4257/T4258/T4259/T4260/T4261/T4262/T4263/T4264/T4265/T4266/T4267/T4268/T4269/T4270/T4271/T4272/T4273/T4274/T4275/T4276/T4277/T4278/T4279/T4280/T4281/T4282/T4283/T4284/T4285/T4286/T4287/T4288/T4289/T4290/T4291/T4292/T4293/T4294/T4295/T4296/T4297/T4298/T4299/T4300/T4301/T4302/T4303/T4304/T4305/T4306/T4307/T4308/T4309/T4310/T4311/T4312/T4313/T4314/T4315/T4316/T4317/T4318/T4319/T4320/T4321/T4322/T4323/T4324/T4325/T4326/T4327/T4328/T4329/T4330/T4331/T4332/T4333/T4334/T4335/T4336/T4337/T4338/T4339/T4340/T4341/T4342/T4343/T4344/T4345/T4346/T4347/T4348/T4349/T4350/T4351/T4352/T4353/T4354/T4355/T4356/T4357/T4358/T4359/T4360/T4361/T4362/T4363/T4364/T4365/T4366/T4367/T4368/T4369/T4370/T4371/T4372/T4373/T4374/T4375/T4376/T4377/T4378/T4379/T4380/T4381/T4382/T4383/T4384/T4385/T4386/T4387/T4388/T4389/T4390/T4391/T4392/T4393/T4394/T4395/T4396/T4397/T4398/T4399/T4400/T4401/T4402/T4403/T4404/T4405/T4406/T4407/T4408/T4409/T4410/T4411/T4412/T4413/T4414/T4415/T4416/T4417/T4418/T4419/T4420/T4421/T4422/T4423/T4424/T4425/T4426/T4427/T4428/T4429/T4430/T4431/T4432/T4433/T4434/T4435/T4436/T4437/T4438/T4439/T4440/T4441/T4442/T4443/T4444/T4445/T4446/T4447/T4448/T4449/T4450/T4451/T4452/T4453/T4454/T4455/T4456/T4457/T4458/T4459/T4460/T4461/T4462/T4463/T4464/T4465/T4466/T4467/T4468/T4469/T4470/T4471/T4472/T4473/T4474/T4475/T4476/T4477/T4478/T4479/T4480/T4481/T4482/T4483/T4484/T4485/T4486/T4487/T4488/T4489/T4490/T4491/T4492/T4493/T4494/T4495/T4496/T4497/T4498/T4499/T4500/T4501/T4502/T4503/T4504/T4505/T4506/T4507/T4508/T4509/T4510/T4511/T4512/T4513/T4514/T4515/T4516/T4517/T4518/T4519/T4520/T4521/T4522/T4523/T4524/T4525/T4526/T4527/T4528/T4529/T4530/T4531/T4532/T4533/T4534/T4535/T4536/T4537/T4538/T4539/T4540/T4541/T4542/T4543/T4544/T4545/T4546/T4547/T4548/T4549/T4550/T4551/T4552/T4553/T4554/T4555/T4556/T4557/T4558/T4559/T4560/T4561/T4562/T4563/T4564/T4565/T4566/T4567/T4568/T4569/T4570/T4571/T4572/T4573/T4574/T4575/T4576/T4577/T4578/T4579/T4580/T4581/T4582/T4583/T4584/T4585/T4586/T4587/T4588/T4589/T4590/T4591/T4592/T4593/T4594/T4595/T4596/T4597/T4598/T4599/T4600/T4601/T4602/T4603/T4604/T4605/T4606/T4607/T4608/T4609/T4610/T4611/T4612/T4613/T4614/T4615/T4616/T4617/T4618/T4619/T4620/T4621/T4622/T4623/T4624/T4625/T4626/T4627/T4628/T4629/T4630/T4631/T4632/T4633/T4634/T4635/T4636/T4637/T4638/T4639/T4640/T4641/T4642/T4643/T4644/T4645/T4646/T4647/T4648/T4649/T4650/T4651/T4652/T4653/T4654/T4655/T4656/T4657/T4658/T4659/T4660/T4661/T4662/T4663/T4664/T4665/T4666/T4667/T4668/T4669/T4670/T4671/T4672/T4673/T4674/T4675/T4676/T4677/T4678/T4679/T4680/T4681/T4682/T4683/T4684/T4685/T4686/T4687/T4688/T4689/T4690/T4691/T4692/T4693/T4694/T4695/T4696/T4697/T4698/T4699/T4700/T4701/T4702/T4703/T4704/T4705/T4706/T4707/T4708/T4709/T4710/T4711/T4712/T4713/T4714/T4715/T4716/T4717/T4718/T4719/T4720/T4721/T4722/T4723/T4724/T4725/T4726/T4727/T4728/T4729/T4730/T4731/T4732/T4733/T4734/T4735/T4736/T4737/T4738/T4739/T4740/T4741/T4742/T4743/T4744/T4745/T4746/T4747/T4748/T4749/T4750/T4751/T4752/T4753/T4754/T4755/T4756/T4757/T4758/T4759/T4760/T4761/T4762/T4763/T4764/T4765/T4766/T4767/T4768/T4769/T4770/T4771/T4772/T4773/T4774/T4775/T4776/T4777/T4778/T4779/T4780/T4781/T4782/T4783/T4784/T4785/T4786/T4787/T4788/T4789/T4790/T4791/T4792/T4793/T4794/T4795/T4796/T4797/T4798/T4799/T4800/T4801/T4802/T4803/T4804/T4805/T4806/T4807/T4808/T4809/T4810/T4811/T4812/T4813/T4814/T4815/T4816/T4817/T4818/T4819/T4820/T4821/T4822/T4823/T4824/T4825/T4826/T4827/T4828/T4829/T4830/T4831/T4832/T4833/T4834/T4835/T4836/T4837/T4838/T4839/T4840/T4841/T4842/T4843/T4844/T4845/T4846/T4847/T4848/T4849/T4850/T4851/T4852/T4853/T4854/T4855/T4856/T4857/T4858/T4859/T4860/T4861/T4862/T4863/T4864/T4865/T4866/T4867/T4868/T4869/T4870/T4871/T4872/T4873/T4874/T4875/T4876/T4877/T4878/T4879/T4880/T4881/T4882/T4883/T4884/T4885/T4886/T4887/T4888/T4889/T4890/T4891/T4892/T4893/T4894/T4895/T4896/T4897/T4898/T4899/T4900/T4901/T4902/T4903/T4904/T4905/T4906/T4907/T4908/T4909/T4910/T4911/T4912/T4913/T4914/T4915/T4916/T4917/T4918/T4919/T4920/T4921/T4922/T4923/T4924/T4925/T4926/T4927/T4928/T4929/T4930/T4931/T4932/T4933/T4934/T4935/T4936/T4937/T4938/T4939/T4940/T4941/T4942/T4943/T4944/T4945/T4946/T4947/T4948/T4949/T4950/T4951/T4952/T4953/T4954/T4955/T4956/T4957/T4958/T4959/T4960/T4961/T4962/T4963/T4964/T4965/T4966/T4967/T4968/T4969/T4970/T4971/T4972/T4973/T4974/T4975/T4976/T4977/T4978/T4979/T4980/T4981/T4982/T4983/T4984/T4985/T4986/T4987/T4988/T4989/T4990/T4991/T4992/T4993/T4994/T4995/T4996/T4997/T4998/T4999/T5000/T5001/T5002/T5003/T5004/T5005/T5006/T5007/T5008/T5009/T5010/T5011/T5012/T5013/T5014/T5015/T5016/T5017/T5018/T5019/T5020/T5021/T5022/T5023/T5024/T5025/T5026/T5027/T5028/T5029/T5030/T5031/T5032/T5033/T5034/T5035/T5036/T5037/T5038/T5039/T5040/T5041/T5042/T5043/T5044/T5045/T5046/T5047/T5048/T5049/T5050/T5051/T5052/T5053/T5054/T5055/T5056/T5057/T5058/T5059/T5060/T5061/T5062/T5063/T5064/T5065/T5066/T5067/T5068/T5069/T5070/T5071/T5072/T5073/T5074/T5075/T5076/T5077/T5078/T5079/T5080/T5081/T5082/T5083/T5084/T5085/T5086/T5087/T5088/T5089/T5090/T5091/T5092/T5093/T5094/T5095/T5096/T5097/T5098/T5099/T5100/T5101/T5102/T5103/T5104/T5105/T5106/T5107/T5108/T5109/T5110/T5111/T5112/T5113/T5114/T5115/T5116/T5117/T5118/T5119/T5120/T5121/T5122/T5123/T5124/T5125/T5126/T5127/T5128/T5129/T5130/T5131/T5132/T5133/T5134/T5135/T5136/T5137/T5138/T5139/T5140/T5141/T5142/T5143/T5144/T5145/T5146/T5147/T5148/T5149/T5150/T5151/T5152/T5153/T5154/T5155/T5156/T5157/T5158/T5159/T5160/T5161/T5162/T5163/T5164/T5165/T5166/T5167/T5168/T5169/T5170/T5171/T5172/T5173/T5174/T5175/T5176/T5177/T5178/T5179/T5180/T5181/T5182/T5183/T5184/T5185/T5186/T5187/T5188/T5189/T5190/T5191/T5192/T5193/T5194/T