



The Goldring G 99

This is the turntable for the Hi-Fi enthusiast who likes to hand pick every single item of his equipment.

It is shown here with two suggested Goldring-Lenco arms either of which would do justice to its performance – the L 75 Transcription Arm and the L 69 Transcription Arm. Both the arms are of high-quality Swiss design with knife-edge bearings ensuring virtually frictionless movement, lightweight removable head shells with complete adjustment to fine limits of height and tracking weight. The L 75 has additional refinements including special bias compensation. But the choice of any other arm is of course completely open to you.

The turntable incorporates the unique

Goldring-Lenco continuously variable speed and vertical drive features, with less than 1% speed change for 13% mains voltage variation, and has an 8-lb non-magnetic turntable and a built-in neon-lit stroboscope.

Adjustable click-in positions are provided for the four playing speeds.

The unit illustrated is mounted on a C99 cabinet. This has a detachable panel for easy mounting of the arm you select and is supplied with clear plastic dust cover:

Dimensions (with plinth):

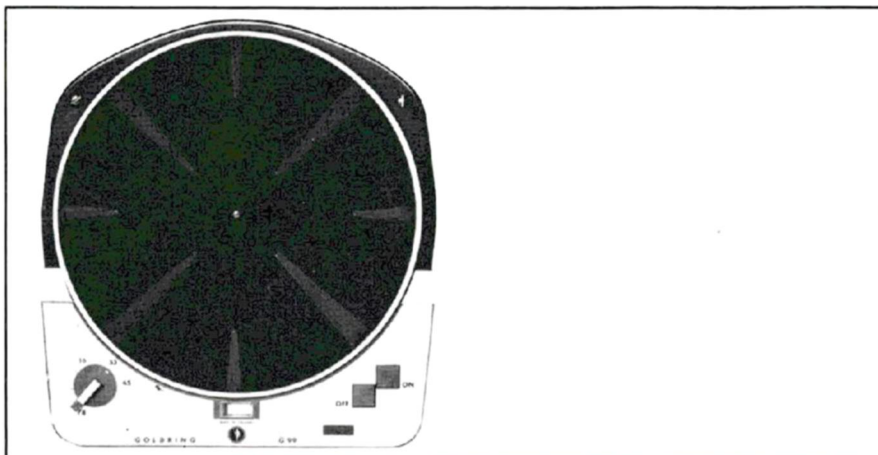
15¼ in. x 18 in. x 7½ in.

(Chassis): 14¼ in. x 13¼ in.

Clearance below baseplate 3 in.

Clearance above baseplate dependent on arm used.

Goldring G99 transcription unit

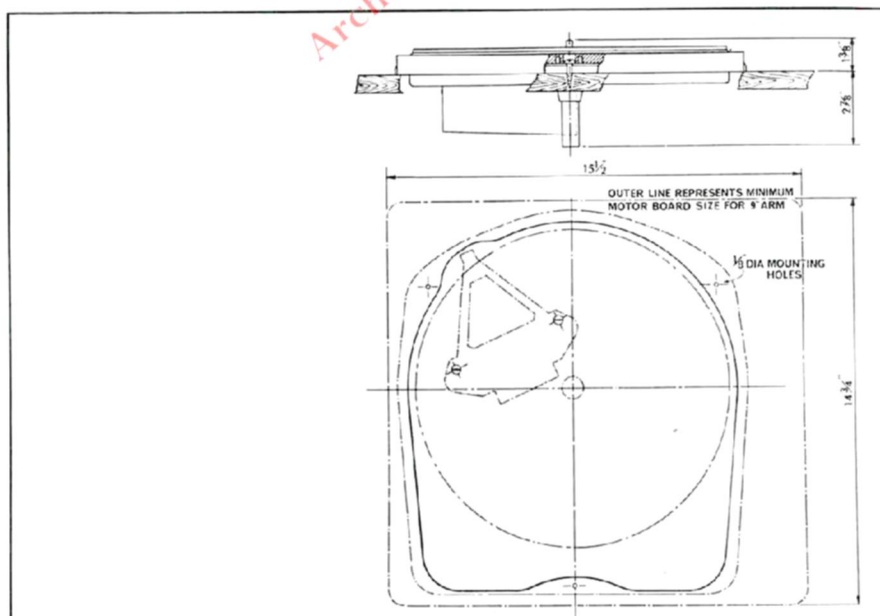


The G 99 was designed as a sophisticated transcription unit for advanced enthusiasts who prefer to choose, and mount a separate transcription arm. It offers complete freedom in mounting arrangements.

The unit is styled in the modern idiom by a famous industrial designer. It has many highly successful mechanical features, such as infinitely variable speed adjustment and automatic disengagement of the idler wheel.

The hardened steel centre spindle runs in a sintered bronze bush with a special thrust pad. The 4-pole constant velocity motor limits changes in turntable speed to less than 1% for up to 13% change in line voltage. Rumble and hum are negligible. Maximum wow and flutter is 0.2%. The turntable, which is die-cast from zinc

alloy, is non-magnetic and weighs 8 lb. A thick rubber mat is fitted. Another feature is the push-button on/off switch, fully click-suppressed, which also engages and disengages the drive. A neon pilot light gives the '99' an added refinement. The switch circuit is entirely click suppressed. A vertical idler wheel transmits drive from the motor to the underside of the turntable. The speed is infinitely variable over the range 30/80 r.p.m. and from 15/18 r.p.m. and is altered by means of a rotary knob which, by a system of gears and levers, moves the idler wheel along a conical drive shaft of the motor. There are adjustable click-in positions for the four standard playing speeds. A neon-lit stroboscope is built into the unit and very accurate speed settings are possible.



Specification

AC mains 200–250V, 50 Hz.
Mains switch fully click-suppressed
4-pole constant velocity motor (15 VA)
Continuously variable speed control
Adjustable click-in positions for 16, 33 $\frac{1}{3}$, 45 and 78 r.p.m.
8 lb. non-magnetic turntable
Neon-lit stroboscope
Centre spindle is of lapped, hardened steel in sintered bronze main bearing
Wow and flutter – less than 0.2%
Rumble and hum – negligible
Turntable speed – less than 1% variation for 13% mains voltage change

Fully positive drive and accurate control through precision conical shaft and vertical idler wheel.
Automatic disengagement of idler wheel

DIMENSIONS

Front to back 14 $\frac{1}{2}$ " (36.2 cm.)
Side to side 13 $\frac{1}{2}$ " (33.7 cm.)
Turntable diameter 12" (30.5 cm.)
Clearance required above motor board dependent on the arm used
Clearance required below motor board 3" (7.7 cm.)