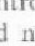


**INSTALLATION**

The AT38 may be mounted in panels up to one-inch thick. Drill a 3/8-inch diameter hole in the position desired. Insert the AT38 through the hole with a nut and lockwasher on the shaft. The lockwasher should be placed nearest the panel. The middle solder lugs of the control should point directly upward. Place the dial plate and nut on the shaft on the front of the panel. Position the dial so that the  is aligned at the bottom. With the control shaft rotated to maximum clockwise position, the gold dot on the control knob should line up with the "O" on the dial. The rear nut may now be tightened with a wrench or pliers, and the front nut tightened with long nose pliers.

**DESCRIPTION**

The Electro-Voice model AT38 level control is an "L" pad attenuator for use in loudspeaker systems with a characteristic impedance of 8 ohms.

**SPECIFICATIONS**

Type: 8-ohm "L" pad attenuator  
 Rating: 5 watts steady tone sine wave  
 40 watts program material  
 Shaft Size: 3/8" dia. x 1 1/4" long  
 Shipping Weight: 1/4 pound

**WIRING**

Refer to Figure 1 for a schematic wiring diagram and to Figure 2 for a pictorial view. The AT38 is a precision electrical device — use only rosin core solder.

**WARRANTY (Limited)**

Electro-Voice high fidelity accessories are guaranteed for one year from date of purchase against failures due to defects in workmanship and materials. If such failure occurs, your AT38 level control will be repaired or replaced (at our option) without charge for materials or labor, if delivered to Electro-Voice or its service agency. The unit will be returned prepaid. Warranty does not cover finishes or failures due to abuse or operation at other than specified ratings. Repair by other than Electro-Voice or its authorized service agencies will void this guarantee.

For correct shipping address and instructions on return of Electro-Voice products for repair and locations of authorized service agencies, please write: Service Department, Electro-Voice, Inc., 600 Cecil Street, Buchanan, Michigan 49107 (Phone: 616/695-6831).

Electro-Voice also maintains complete facilities for non-warranty service.

Specifications subject to change without notice.

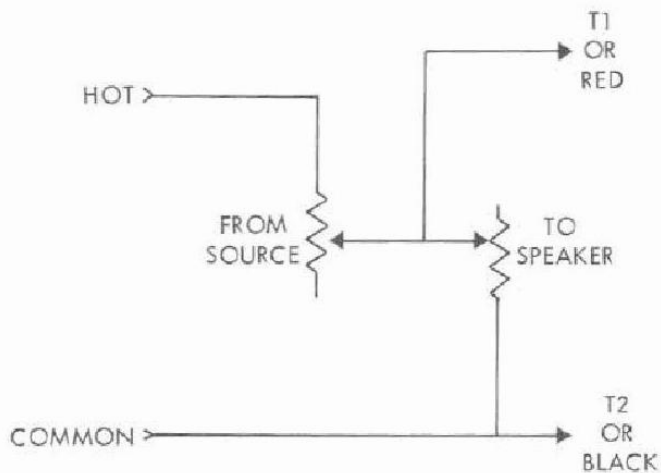


Figure 1 - Wiring Diagram

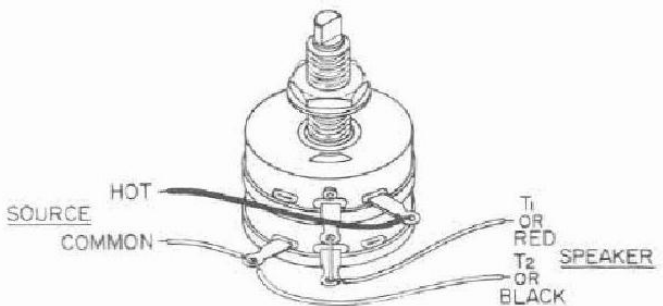
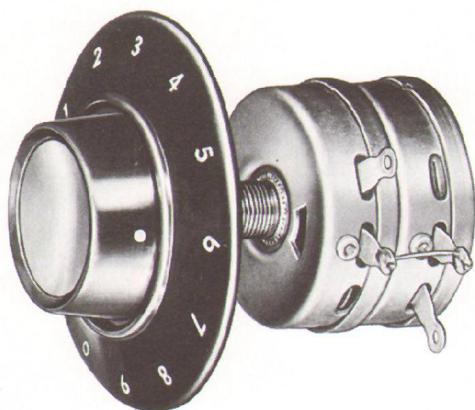


Figure 2 - Pictorial Diagram



**DESCRIPTION**

The Electro-Voice model AT38 level control is an "L" pad attenuator for use in loudspeaker systems with a characteristic impedance of 8 ohms.

**SPECIFICATIONS**

Type: 8-ohm "L" pad attenuator  
 Rating: 5 watts steady tone sine wave  
 40 watts program material  
 Shaft Size: 3/8" dia. x 1 1/4" long  
 Shipping Weight: 1/4 pound

**WIRING**

Refer to Figure 1 for a schematic wiring diagram and to Figure 2 for a pictorial view. The AT38 is a precision electrical device — use only rosin core solder.

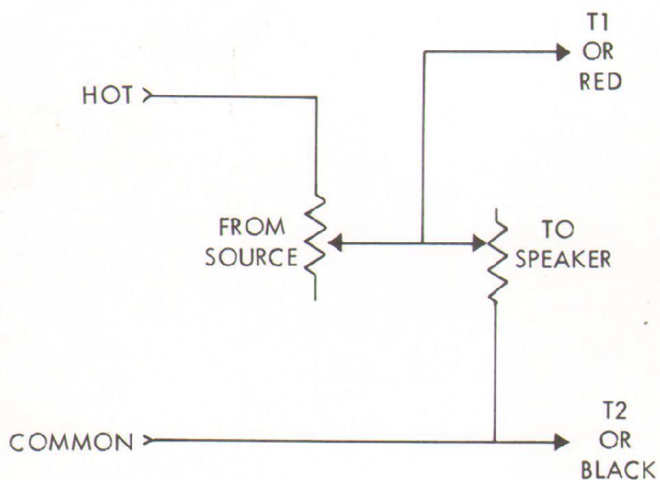


Figure 1 - Wiring Diagram

**INSTALLATION**

The AT38 may be mounted in panels up to one-inch thick. Drill a 3/8-inch diameter hole in the position desired. Insert the AT38 through the hole with a nut and lockwasher on the shaft. The lockwasher should be placed nearest the panel. The middle solder lugs of the control should point directly upward. Place the dial plate and nut on the shaft on the front of the panel. Position the dial so that the (E.V.) is aligned at the bottom. With the control shaft rotated to maximum clockwise position, the gold dot on the control knob should line up with the "O" on the dial. The rear nut may now be tightened with a wrench or pliers, and the front nut tightened with long nose pliers.

**WARRANTY (Limited)**

Electro-Voice high fidelity accessories are guaranteed for one year from date of purchase against failures due to defects in workmanship and materials. If such failure occurs, your AT38 level control will be repaired or replaced (at our option) without charge for materials or labor, if delivered to Electro-Voice or its service agency. The unit will be returned prepaid. Warranty does not cover finishes or failures due to abuse or operation at other than specified ratings. Repair by other than Electro-Voice or its authorized service agencies will void this guarantee.

For correct shipping address and instructions on return of Electro-Voice products for repair and locations of authorized service agencies, please write: Service Department, Electro-Voice, Inc., 600 Cecil Street, Buchanan, Michigan 49107 (Phone: 616/695-6831).

Electro-Voice also maintains complete facilities for non-warranty service.

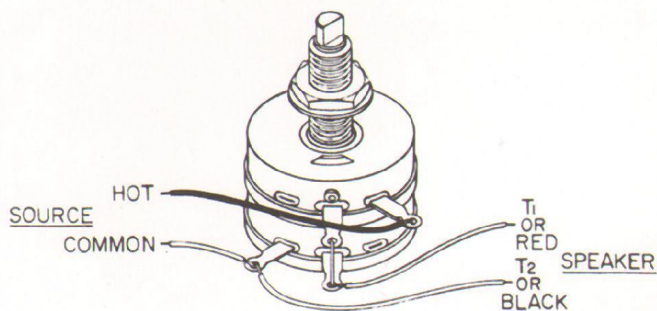


Figure 2 - Pictorial Diagram

ENGINEERING DATA AT38 8OHM LEVEL CONTROL

