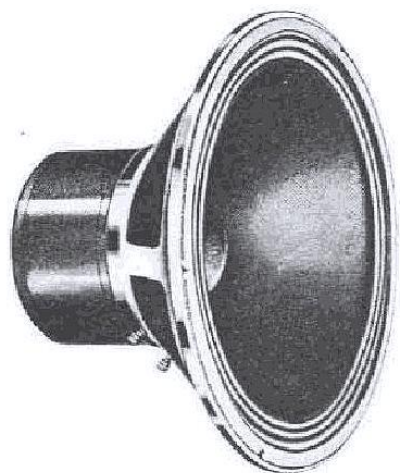


Electro-Voice®

ELECTRO-VOICE, INC.
BUCHANAN, MICHIGAN



18W and 18WK

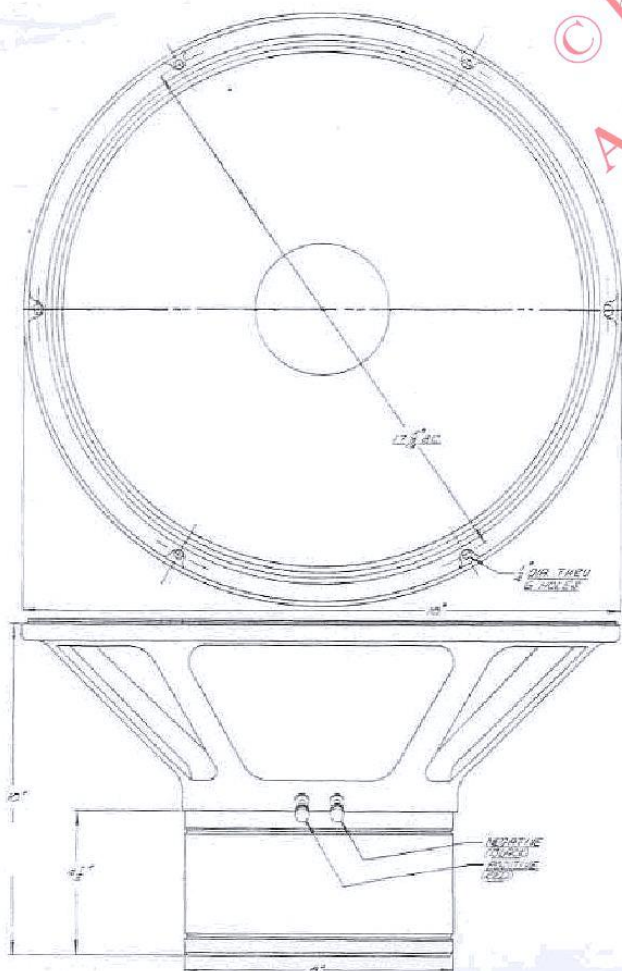


Fig. 1 — Dimensions

Specifications and Instructions Models 18W and 18WK Low-Frequency Drivers

Incorporating all the design advantages of piston-type low-frequency drivers, the E-V 18-inch reproducers include also the latest developments in the electro-acoustic art. Bass response is phenomenal, affording for the first time, pleasing musical balance without the masking effects previously experienced from high cone resonance and inefficient voice coil gap designs. E-V low-frequency drivers have special cone and spider suspensions as well as one-piece, welded magnetic structures of exclusive design. Tailored to optimum listening requirements, these new developments insure smooth even coverage of the entire bass spectrum.

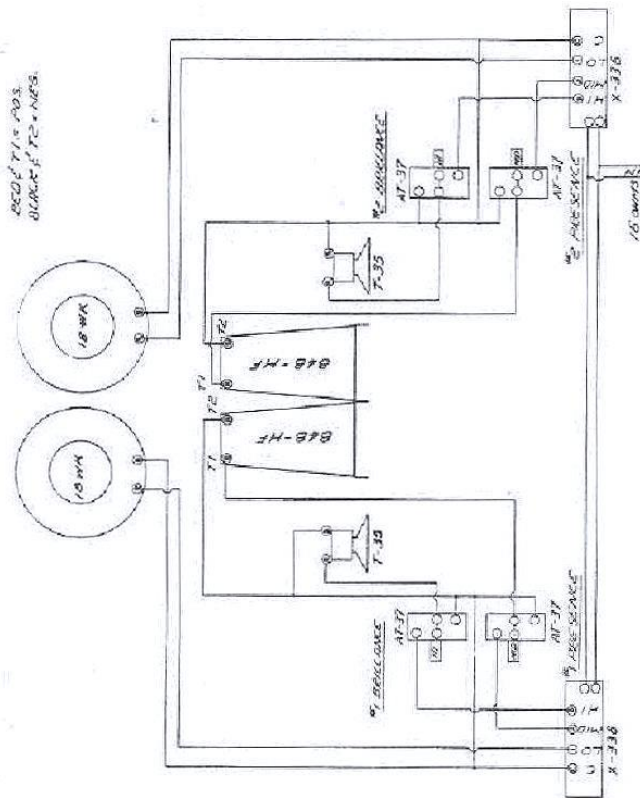
FEATURES — Exclusive, E-V engineered features include true concentric centering of the voice coil; augmented balanced bass response in conjunction with the production of a plane wave-front; especially rugged voice-coil cone juncture; edge-wound aluminum voice coil design affording 18% more efficiency and consequent damping of transient distortion; heavy magnet structure with one-piece, all-welded construction.

SPECIFICATIONS

	18W	18WK
Frequency Response:	Essentially flat to 600 cps. Exact response depends on enclosure.	
RETMA Sensitivity Rating:	53 db	53 db
Free-Space Cone Resonance:	25-35 cps	20-30 cps
Power Handling Capacity:		
Program Material:	30 watts	30 watts
Peak:	60 watts	60 watts
Critical Damping Factor:	1 in infinite baffle	10 in Patrician or Residence Entertainment Center
Nominal Impedance:	16 ohms	16 ohms
D. C. Resistance:	11.6 ohms	3.2 ohms
Voice Coil Diameter:	2½ inches	2½ inches
Magnet Weight:	5¼ lbs	5¼ lbs
Size:	18 in. dia. x 10 in. deep overall	18 in. dia. x 10 in. deep overall
Mounting:	Four ¼ in. holes equally spaced on 17¼-in. circle	
Baffle Opening:	16¾ in.	Depends on horn throat area
Net Weight:	38 lb	38 lb
Shipping Weight:	43 lb	43 lb

INSTALLATION

Optimum bass response with E-V low-frequency driver units is obtained in the recommended baffles. Where a baffle is available of the "infinite" type, such as a closet, or a wall with large volumetric capacity available behind the cone, excellent results will be obtained in the accomplishment of the bass range. The ideal volume for the 18W is 28 cubic feet or more, for with this volume the low free-space resonance of the bass cone becomes the controlling factor in achieving reproduction of the first octaves. The response will be flat to 25-35 cps. The 18WK is recommended for use only in K-type enclosures in which the back air load volume is restricted to approximately 6000 cubic inches. In this application, the front radiation must be horn-loaded.



Where only a restricted space is available for housing the 18W low-frequency driver, bass response will suffer and the low range will be compressed by about 1 octave. This deficiency may be offset somewhat by reinforcing the bass through porting the enclosure. Start with an opening of about 130 square inches and gradually decrease this area until the most pleasing response is obtained. The minimum volume advisable for such an enclosure is 12 cubic feet. More accurate design data on this form of enclosure is available from the Reproducing Components Division of Electro-Voice and in the many articles on enclosure design now published.

Reflections on the interior cavity will cause ragged response, indicated by undue reinforcement at certain frequencies and cancellation at others, unless sound absorbent material is used on at least three of the opposing interior sides. The material may be "Kimsul" 2 inches thick or equivalent. "Kimsul" is available from any building supply house as a product of the Kimberly-Clark Manufacturing Company. Glass wool or glass block is good, but should be covered with cheese cloth to confine the fibers. Blankets, jute, and rug pads are satisfactory substitutes. The rear cavity for the 18WK must be completely sealed and airtight for best bass response. In this application, padding is not needed. The precise size of this cavity is dependent on the design application. For further information refer to the bulletins on the construction of the Patricia and the Residence Entertainment Center.

MOUNTING THE SPEAKER — Cut a circular hole $16\frac{3}{8}$ inches in diameter. Four $\frac{1}{4}$ -inch mounting holes are provided on the outer periphery of the speaker frame. Use four #12 x $1\frac{1}{2}$ inch long wood screws, or preferably drill four $\frac{1}{4}$ -inch holes on a $17\frac{1}{4}$ -inch circle spaced 90 degrees apart (See Fig. 1 for the hole arrangement), and employ four $\frac{3}{16}$ -inch carriage bolts 2 inches long with hex nuts and washers. Secure the speaker to the front baffle and tighten the retaining screws just enough to compress the speaker gasket. Do not tighten too much or the frame may be sprung out of line, thus damaging the speaker unit.

Fig. 2 — Schematic Wiring Diagram
Separate 3-Way System (Residence Entertainment Center)

OPERATION

CONNECTIONS — Use No. 22 fixture wire or larger to connect the two terminals on the low-frequency drivers to the "Low" and "Common" output terminals on the crossover network. The exact crossover frequency is dependent on the application but it is recommended to be 600 cps or below. The 16-ohm impedance of the driver units is a standard RETMA rating and is indicative of the voice coil impedance at crossover frequency. A mismatch by as much as 40% may be made without affecting the reproduction or efficiency of the unit.

AMPLIFIER DAMPING CONTROL SETTING — If your amplifier has a variable damping control, as do all E-V units, set this control in accordance with the critical damping factor listed under specifications.

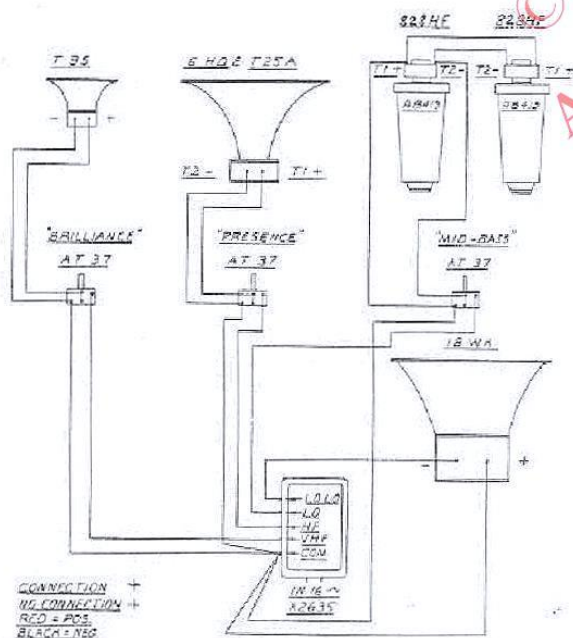


Fig. 3 Schematic Wiring Diagram
Indirect Radiator 4-way System (Patricia IV)