



**Electro-Voice®**  
a gulton company

## Model EVM-12S™ PRO-LINE 12-Inch Professional Sound Reinforcement Loudspeaker

### SPECIFICATIONS

Usable Frequency Response in TL806 Vented 1.3 Cubic Ft Enclosure (see Frequency Response section):

80-7000 Hz

Sound Pressure Level, Indicated Watts into Nominal Impedance (using spectrum specified in EIA Standard SE-103 Section SE3),

30 ft at .001 watt input:  
52 dB

10 ft at 1 watt input:  
91.5 dB

4 ft at 300 watts input:  
124 dB

Long-Term Average Power Handling Capacity (see Power Handling section):

300 watts  
(per EIA Standard RS-426A)

Impedance (see Figure 8),

Nominal:  
8 ohms

Minimum:  
6.4 ohms

Voice Coil Diameter:  
6.35 cm (2.50 in.)

Magnet Weight:  
2.2 kg (4.9 lbs)

Dimensions,

Overall Diameter:  
31.0 cm (12.21 in.)

Overall Depth:  
14.2 cm (5.60 in.)

Mounting Bolt Circle:  
29.4 cm (11.56 in.)

Mounting Hole Diameter,  
Eight Evenly Spaced Holes:

.71 cm (.281 in.) — Letter L Drill

Baffle Opening Diameter,  
Front or Rear Mounting:  
27.9 cm (11.00 in.)

Optional Mounting Accessory:

SMH-1 (see Installation section)

Net Weight:

8.6 kg (19 lbs)

### DESCRIPTION

The EVM-12S, Pro-Line is a 12-inch speaker designed for professional high-level, high-quality sound reinforcement systems. Used full-range, the EVM-12S, Pro-Line's frequency response is specially tailored for strong mid-range performance. It's shallow cone provides additional output in the critical 700-to-3000 Hz range, for extra clarity and brilliance. The EVM-12S, Pro-Line incorporates voice coil and suspension refinements, including beryllium copper flatwire leads, that have improved performance. Power capacity is 300 watts per the revised EIA Standard RS-426A. The Power Handling Test section describes these ratings in detail.

The construction of the EVM-12S, Pro-Line features a low mass edgewound voice coil on a rugged laminated Polyimide coil form, driven by our largest 16-lb magnetic structure. Also featured are a heavy-duty curvilinear cone and a fatigue-resistant cone suspension. Both the coil and magnetic structure are vented. All of this is packaged in a rugged eight-spoke diecast aluminum frame with a heat radiating back cover.

The EVM-12S, Pro-Line may be front or rear mounted without an adaptor. The optional SMH-1 speaker mounting kit facilitates front mounting (see Installation section).

### FREQUENCY RESPONSE

Frequency response was measured with the EVM-12S, Pro-Line in a TL806 enclosure placed in a half-space anechoic (echoless) environment at 10 feet on axis with 4 volts of swept 1/3-octave random noise. The frequency response curve is shown in Figure 2.

### DIRECTIONAL PERFORMANCE

The directional characteristics of the EVM-12S, Pro-Line in the TL806 1.3 cubic foot vented enclosure were measured by running a set of polar responses, in EV's large anechoic chamber, at selected octave band center frequencies. The test signal was octave bandwidth-limited pseudo-random pink noise centered at the frequencies indicated in Figure 3. The curves show horizontal (side-to-side) dispersion when the enclosure's long axis is vertical. The vertical (up-and-down) polar responses deviate only slightly from the horizontal responses.

Additional typical data is provided in Figures 4 and 5 which indicate 6-dB-down beamwidth versus frequency and directivity factor, respectively, for an EVM-12S, Pro-Line in the TL806 enclosure.

### POWER HANDLING TEST

To our knowledge, Electro-Voice was the first U.S. manufacturer to develop and publish a power test closely related to real-life conditions. First, we use a random noise input signal because it contains many frequencies simultaneously, just like real voice or instrument

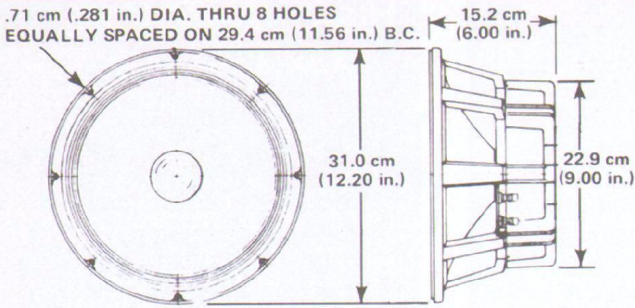


FIGURE 1 – Dimensions

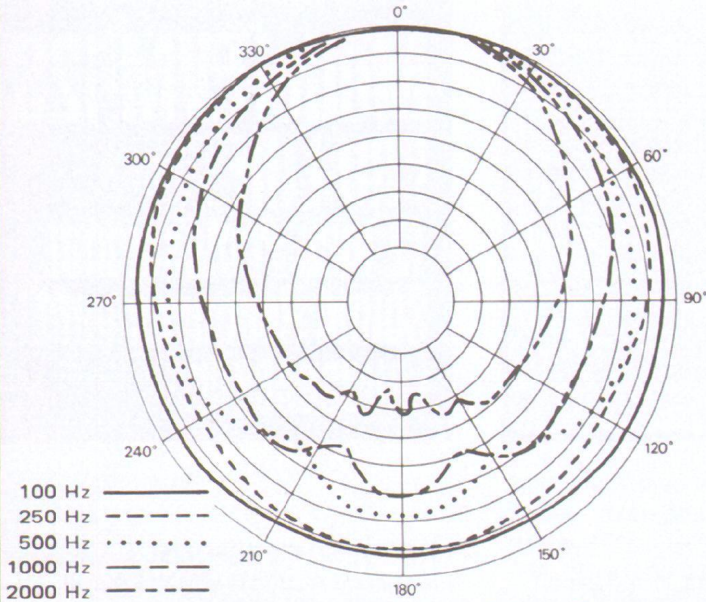


FIGURE 3 – TL806/EVM-12S Polar Response  
4 V Rms of Octave Band Limited Pink Noise in Anechoic Environment, 10 ft on axis in Horizontal Plane (5 dB per Division, Scales not normalized)

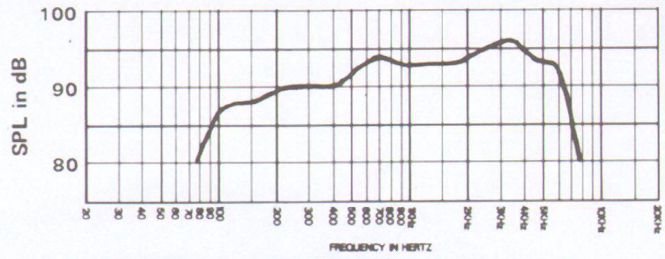


FIGURE 2 – TL806/EVM-12S Frequency Response  
(Swept 1/3-Octave Band Pink Noise, 4 V at 10 ft. on Axis, Half-Space Environment)

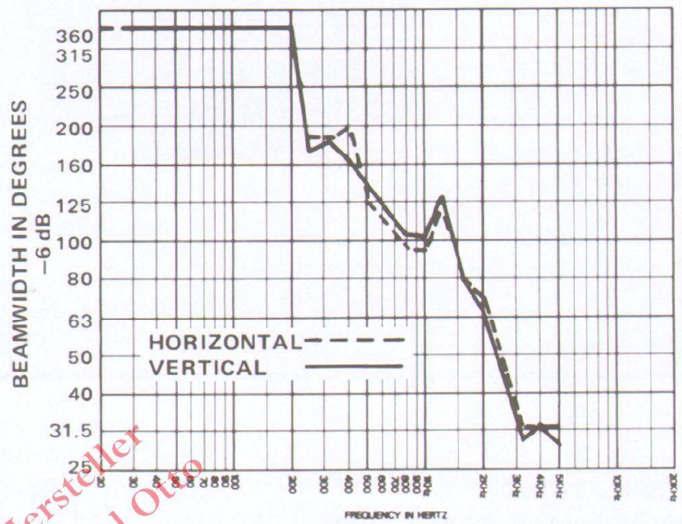


FIGURE 4  
TL806/EVM-12S Beamwidth vs. Frequency

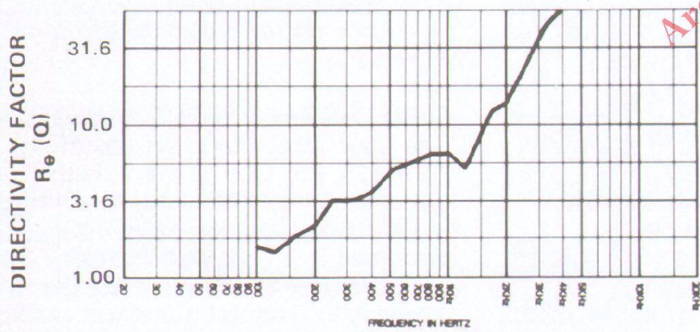


FIGURE 5  
TL806/EVM-12S Directivity Factor and Directivity Index vs. Frequency

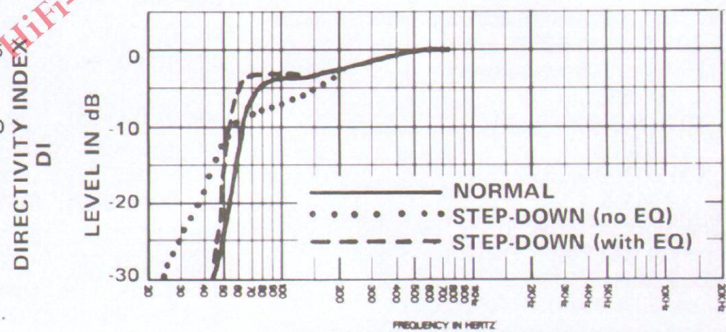
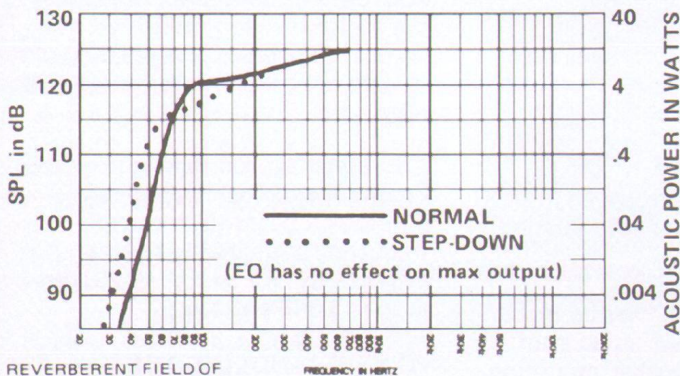


FIGURE 6  
TL806/EVM-12S Low Frequency Response



REVERBERENT FIELD OF 3000 ft<sup>3</sup> (85m<sup>3</sup>) ROOM WITH 200 SABINS ABSORPTION (ROOM CONSTANT = 200)

FIGURE 7  
TL806/EVM-12S Theoretical Low Frequency Maximum Acoustic Output vs. Frequency

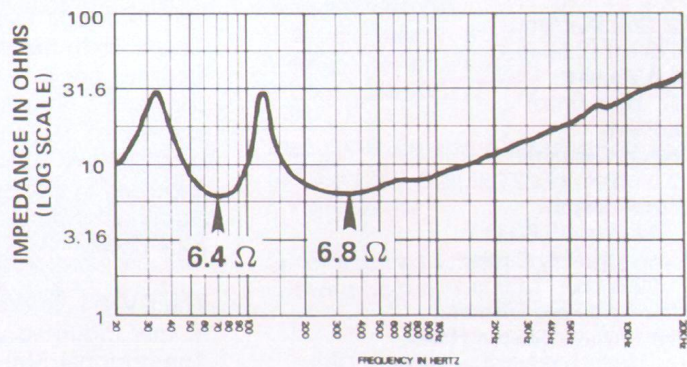


FIGURE 8  
TL806/EVM-12S Input Impedance vs. Frequency

program. Second, our signal contains more energy at extremely high and low frequencies than typical actual program, adding an extra measure of reliability. Third, the test signal includes not only the overall "long-term average" or "continuous" level — which our ears interpret as loudness — but also short-duration peaks which are many times higher than the average, just like actual program. The long-term average level stresses the speaker thermally (heat). The instantaneous peaks test mechanical reliability (cone and diaphragm excursion). Note that the sine wave test signals sometimes used have a much less demanding peak value relative to their average level. In actual use, long-term average levels exist from several seconds on up, but we apply the long-term average for several hours, adding another extra measure of reliability.

Specifically, the EVM-12S, Pro-Line is designed to withstand the power test described in the revised EIA Standard RS-426A. The EIA test spectrum is applied for eight hours. To obtain the spectrum, the output of a white noise generator (white noise is a particular type of random noise with equal energy per bandwidth in Hz) is fed to a shaping filter with 6-dB-per-octave slopes below 40 Hz and above 318 Hz. When measured with the usual constant-percentage bandwidth analyzer (one-third octave), this shaping filter produces a spectrum whose 3-dB-down points are at 100 Hz and 1200 Hz with a 3-dB-per-octave slope above 1200 Hz. This shaped signal is sent to the power amplifier with the continuous power set at 300 watts into the 6 ohms EIA equivalent impedance (42.5 volts true RMS). Amplifier clipping sets instantaneous peaks at 6 dB above the continuous power, or 1200 watts peak (85 volts peak). This procedure provides a rigorous test of both thermal and mechanical failure modes.

## RECOMMENDED ENCLOSURES

### Replacement Use in Existing Enclosures

The EVM-12S, Pro-Line will often be used to replace inferior speakers in existing enclosures. Mechanical and electrical characteristics are such that the superior efficiency, sound quality, and reliability of the EVM-12S, Pro-Line will be realized in virtually any sealed, vented (bass reflex) or horn loaded enclosure.

### Vented Enclosures

The most extended, lowest distortion, and best controlled bass performance is usually realized in properly designed vented enclosures. In such designs, the vent, or port, actually reproduces the lowest octave or so of bass response.

The vent is driven to full acoustic output by a relatively small motion of the speaker cone itself, acting through the air contained within the enclosure. The excursion of the EVM-12S, Pro-Line at these frequencies is much reduced compared to sealed or open-backed enclosures, directly reducing harmonic distortion and the possibility of speaker "bottoming."

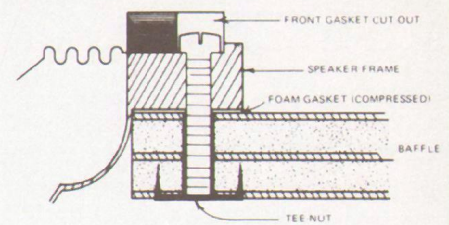
When the EVM-12S, Pro-Line is installed in the 1.3 cubic foot TL806 enclosure, response is essentially flat to 80 Hz. This is ideal for mid-range applications and many vocal reinforcement situations. The box tuning of 75 Hz reduces cone excursion in the most beneficial frequency range — the lowest band of the normal voice range. In addition, the TL806 vent may be partially covered to lower box tuning to 53 Hz ("step-down" mode). With appropriate electronic boost, response is extended to 60 Hz, beneficial for many applications.

Figure 6 shows small-signal total acoustic power output vs. frequency for the TL806/EVM-12S, Pro-Line. In addition, Figure 7 shows the maximum acoustic power output versus frequency. The maximum output is limited by either (1) the thermal power handling capacity of the speaker or (2) the speaker's maximum linear cone excursion capabilities (whichever occurs first). Note that some 2 to 3 dB or maximum output in the 80 to 130 Hz range is sacrificed when the step-down mode is used.

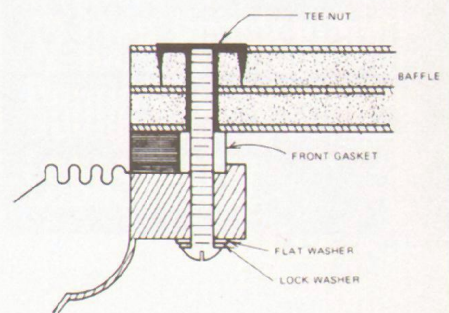
Details on TL806 design, construction, and equalization may be obtained from Electro-Voice by requesting "TL806 Builders Plans," Form 1544-523. Multiple TL806's may also be constructed. For example, a dual TL806 would have twice the internal volume of a single TL806, with the vent area doubled and vent length unchanged. The vent area may be either all-in-one or split into two or more separate vents, as long as the total vent area remains the same.

### SPECIAL NOTE ON LOW-FREQUENCY PERFORMANCE

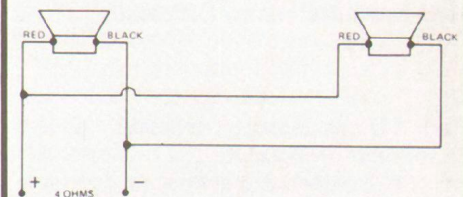
The TL806 vented enclosure and associated performance specifications shown earlier were determined in accordance with the definitive analysis of A. N. Thiele, R. H. Small, and others (for example, see A. N. Thiele, "Loudspeakers in Vented Boxes," *J. Audio Eng. Soc.*, Part 1, vol. 19, May 1971, pp. 382-391; Part II, vol. 19, June 1971, pp. 471-483). Other vented box sizes and tunings are quite feasible and may give performance more suitable for a particular application.



**FIGURE 9**  
Front Mounting Detail  
(Not to Scale)



**FIGURE 10**  
Rear Mounting Detail  
(Not to Scale)



**FIGURE 11**  
Connection of 2 EVM-12S  
Speakers in Parallel



**FIGURE 12**  
Connection of 2 EVM-12S  
Speakers in Series

By applying the work of Thiele and Small, Electro-Voice engineers developed a computer program which easily, quickly, and accurately predicts the performance of any speaker-box combination in the frequency range where the diaphragm is acting as a simple piston. The Thiele-Small Driver Parameters shown below include the speaker characteristics required by the computer program to develop the small and large signal performance of a given speaker and enclosure combination. Technically advanced users will find these parameters useful in the design of vented enclosures for the EVM-12S, Pro-Line..

#### Thiele-Small Driver Parameters,

$f_s$   
Free-Air Resonance Frequency  
70 Hz

$Q_{es}$   
Electro-Magnetic Q at  $f_s$   
.257

$Q_{ms}$   
Mechanical Q at  $f_s$   
7.02

$Q_{ts}$   
Total Q at  $f_s$   $\left( \frac{Q_{es} \cdot Q_{ms}}{Q_{es} + Q_{ms}} \right)$   
.248

$V_{as}$   
Volume of Air Having Same Acoustic Compliance as Driver Suspension  
.0563 M<sup>3</sup> (2.0 ft<sup>3</sup>)

$\eta_o$   
Half-Space Reference Efficiency  
5.9%

$V_d$   
Peak Displacement Volume of Diaphragm (=  $S_d \times X_{max}$ )  
166.2 cm<sup>3</sup> (10.1 in<sup>3</sup>)

$S_d$   
Effective Diaphragm Area  
503.3 cm<sup>2</sup> (78 in<sup>2</sup>)

$X_{max}$   
Peak Linear Displacement of Diaphragm  
3.3 mm (0.13 in)

$P_e$  (MAX)  
Thermally Limited Maximum Input Power  
300 watts EIA

$R_e$   
DC Resistance of Voice Coil  
5.2 ohms  $\pm$  10%

#### INSTALLATION

The EVM-12S, Pro-Line may be front or rear mounted, although front mounting is preferred because of convenience. For simple front mounting, the convenient SMH-1 mounting accessory is recommended. Complete mounting instructions are included with the SMH-1. Instructions for standard front mounting are given below. It is important that recommended baffle openings and mounting hole locations be followed.

Front mounting requires a 11.00 inch diameter cutout and a 11.56 inch bolt circle. Mark baffle opening and screw locations on the blank panel first. Drill the screw holes before cutting the large baffle opening. If 1/4-20 screws are used, four screws are sufficient for secure mounting of the speaker. T-nuts are recommended for simple, secure mounting. If T-nuts are used, the holes should be .281 inch diameter (letter L drill). Apply glue to the flanges of 1/4-20 long shank T-nuts before driving into the rear of the holes.

Sealing of the front-mounted speaker is accomplished with the adhesive-backed foam gasket segments. Strip off protective paper and apply gasket to the rear mounting surface of the speaker rim, making certain that holes in the gasket line up with the mounting holes in the speaker frame.

Length of the 1/4-20 screws should be 1/2 inch plus the panel thickness when using T-nuts. The screws must have fillister heads to seat down in the recess of the speaker frame. Screws should be tightened evenly and securely. Maximum torque possible with a proper size screwdriver should be sufficient.

**IMPORTANT! When front mounting, the screw head must fit down into the front gasket cutout. See Figure 9.**

Rear mounting requires the same diameter cutout and screw circle as front mounting. Other comments regarding the use of T-nuts apply to rear mounting as well.

Screw length should be 3/4 inch plus panel thickness if using T-nuts — longer for standard hex nuts. If hex nuts are used, a second nut should be tightened against the first nut to prevent loosening during operation. A lock washer and flat washer are recommended between the screw head and frame. See Figure 10.

Screws should be tightened evenly, but not excessively. Maximum torque possible with a proper size screwdriver should be sufficient. Do not use adhesive-back gasket segments for rear mounting.

If a cabinet is to be constructed from scratch, 3/4-inch solid and jointed or marine plywood is recommended. After construction, be certain interior is completely free of metal filings, wood chips, etc.

#### CONNECTIONS

Use No. 18 or larger stranded wire to connect the two terminals on the loudspeaker to the amplifier output. If a choice of amplifier output impedance is available (4, 8, 16 ohms), a single EVM-12S, Pro-Line speaker should be connected to the 8-ohm tap. Two EVM-12S, Pro-Line speakers may be connected in parallel as shown in Figure 11. Be sure to connect the red terminals together as shown in Figure 4. If series wiring is desired, wiring and polarity should follow Figure 12.

#### WARRANTY (Limited) —

Electro-Voice Loudspeakers are guaranteed for five years from date of original purchase against malfunction due to defects in workmanship and materials. If such malfunction occurs, unit will be repaired or replaced (at our option) without charge for materials or labor if delivered prepaid to the proper Electro-Voice service facility. Unit will be returned prepaid. Warranty does not cover finish, appearance items, burned coils, or other malfunction due to abuse or operation at other than specified conditions. Repair by other than Electro-Voice or its authorized service agencies will void this guarantee.

For repair information and service locations, please write: Service Dept., Electro-Voice, Inc., 600 Cecil Street, Buchanan, Michigan 49107 (Phone: 616/695-6831) or Electro-Voice West, 8234 Doe Ave., Visalia, California 93277 (Phone: 209/651-7777).

Electro-Voice also maintains complete facilities for non-warranty service of EV products.

Specifications subject to change without notice.