

CORAL

Moving-coil
Stereo Phono Cartridges

MC-8/MC-8S/MC-81

*Hersteller
Michael-Otto*



SPECIFICATIONS

MC-8

Frequency Response:10-40,000Hz
Output Voltage:0.25mV
Channel Separation:30dB
Channel Balance:1.0dB
Impedance:6 Ω
Tracking Force:1.8-2.3g
Stylus Tip Dim.:0.3 \times 0.7mil
Load Impedance:20-100 Ω
Weight:5g

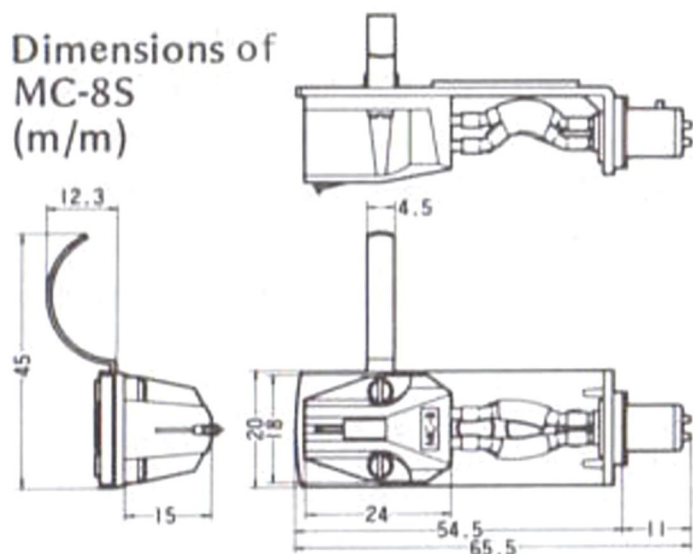
MC-8S

Frequency Response:10-40,000Hz
Output Voltage:0.25mV
Channel Separation:30dB
Channel Balance:1.0dB
Impedance:6 Ω
Tracking Force:1.8-2.3g
Stylus Tip Dim.:0.3 \times 0.7mil
Load Impedance:20-100 Ω
Weight:18g

MC-81

Frequency Response:10-45,000Hz
Output Voltage:0.25mV
Channel Separation:30dB
Channel Balance:1.0dB
Impedance:6 Ω
Tracking Force:1.8-2.3g
Stylus Tip :Shibata
Load Impedance:20-100 Ω
Weight:5g

Dimensions of
MC-8S
(m/m)



Wide-range high-fidelity step-up
transformer for MC cartridge.



New special metal head shells
(I.A.T. pending)
for true cartridge performance



Specifications and designs are subject to change without notice due to improvements.



CORAL AUDIO CORPORATION

1-1-6, Shibashimo, Kawaguchi-shi, Saitama-ken, Japan

Printed in Japan