

CORAL

Moving-coil
Stereo Phono Cartridges

MC-8/MC-8S

MC-81/MC-82

SPECIFICATIONS

MC-8

Frequency Response:10-40,000Hz
Output Voltage:0.25mV
Channel Separation:30dB
Channel Balance:1.0dB
Impedance:6 Ω
Tracking Force:1.8-2.3g
Stylus Tip Dim.:0.3×0.7mil
Load Impedance:20-100 Ω
Weight:5g

MC-8S

Frequency Response:10-40,000Hz
Output Voltage:0.25mV
Channel Separation:30dB
Channel Balance:1.0dB
Impedance:6 Ω
Tracking Force:1.8-2.3g
Stylus Tip Dim.:0.3×0.7mil
Load Impedance:20-100 Ω
Weight:18g

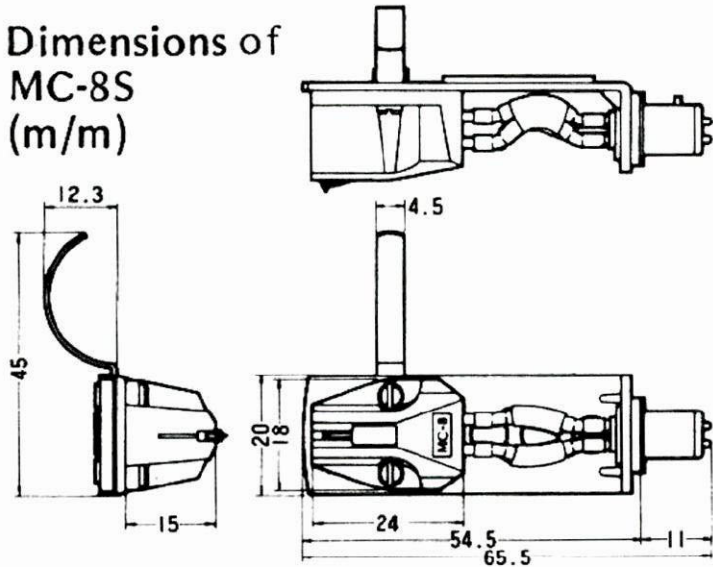
MC-81

Frequency Response:10-45,000Hz
Output Voltage:0.25mV
Channel Separation:30dB
Channel Balance:1.0dB
Impedance:6 Ω
Tracking Force:1.8-2.3g
Stylus Tip :Shibata
Load Impedance:20-100 Ω
Weight:5g

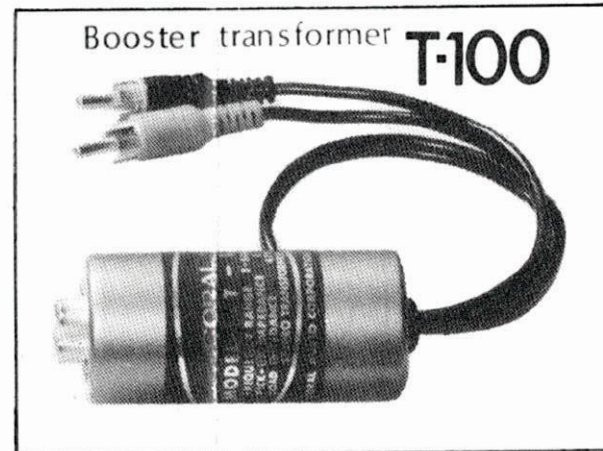
MC-82

Frequency Response:10-50,000Hz
Output Voltage:0.3mV
Channel Separation:30dB
Channel Balance:1.0dB
Impedance:6 Ω
Tracking Force:1.8-2.3g
Stylus Tip:Van Den Hul
Load Impedance:20-100 Ω
Weight:5g

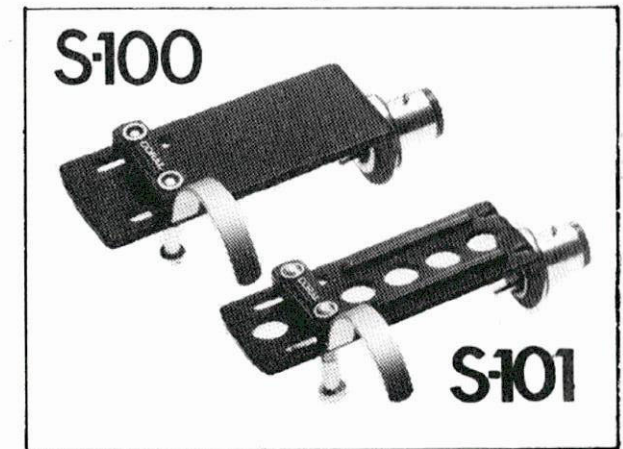
Dimensions of
MC-8S
(m/m)



Wide-range high-fidelity step-up
transformer for MC cartridges.



New special metal head shells
(PAT. pending)
for true cartridge performance.



Specifications and designs are subject to change without notice due to improvements.



Printed in Japan