



Celestion

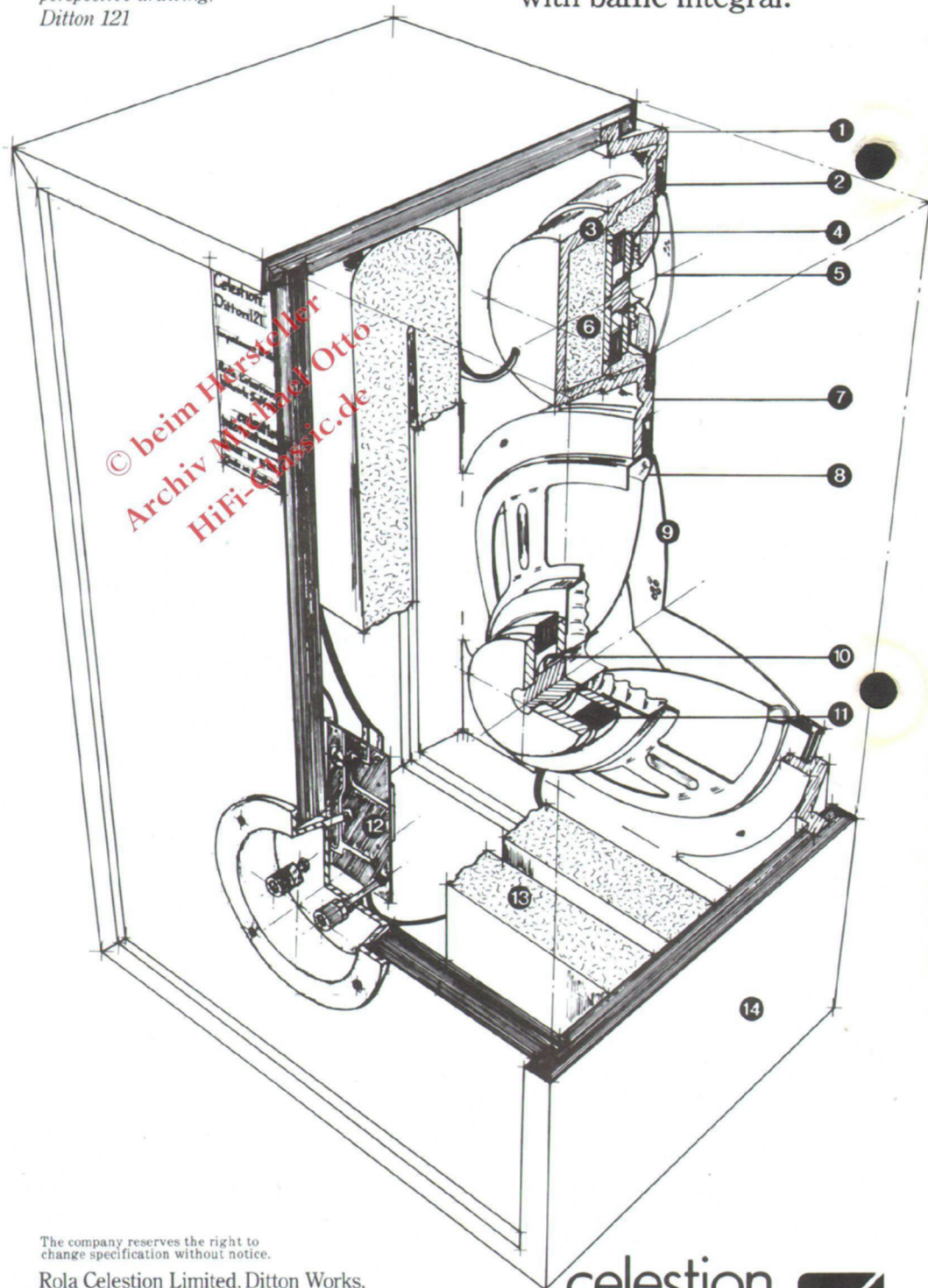
© beim Hersteller  
Archiv Michael Otto  
HiFi-Classic.de

Celestion Ditton 121

# Celestion Ditton 121

1. Baffle edges contoured for excellent acoustic properties.
2. Glass filled nylon clamp ring.
3. Integral HF unit rear loading enclosure.
4. Barium ferrite magnet 1.0. Tesla.
5. Pressure formed aluminium dome.
6. Critically located damping elements.
7. Baffle injection moulded from foamed styrene for strength and rigidity.
8. Neoprene roll surround.
9. Resilient protective grille formed from perforated rigid polystyrene sheet.
10. Four layer voice coil.
11. Barium ferrite magnet 0.7 Tesla.
12. Integral crossover and terminal housing module. Terminal posts connected directly to crossover board.
13. Bonded acrylic fibre damping.
14. High density particle board cabinet assembled with baffle integral.

Computer-derived sectional perspective drawing.  
Ditton 121



**Overall Dimensions** H 395mm  
W 265mm D 226.5mm  
**Internal Volume** 18 litres  
**Weight** Packed 13.5kg per pair.  
Unpacked 6kg each  
**Overall Frequency Response** 60Hz to 18kHz ( $\pm 6$ dB)  
**Impedance** 8ohm (nominal)  
**System Resonance** 75Hz  
**System Q** 1.2  
**Sensitivity** 2.5 watts pink noise input produces 90dB SPL at 1 metre in anechoic conditions  
**Crossover Frequency** 4kHz  
**Power Handling** 1. Maximum rated power 40 watts programme (without clipping) 2. Continuous Sine Wave voltage rating 9.0V 20Hz-4kHz 4.5V 4kHz-20kHz  
**Amplifier Requirements** 10-40 watts  
**Finish** Teak, Walnut, Black

The company reserves the right to change specification without notice.

Rola Celestion Limited, Ditton Works,  
Foxhall Road, Ipswich, Suffolk IP3 8JP England  
Telephone: Ipswich (0473) 73131  
Cables: Voicecoil Ipswich. Telex 98365

celestion  
international 

Printed in England SP 3260.7.79