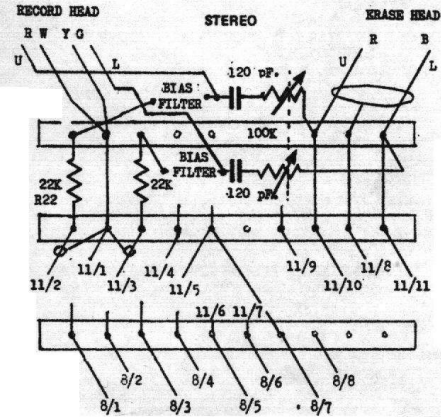


# Mark 6 Type "M" Tape Recorder

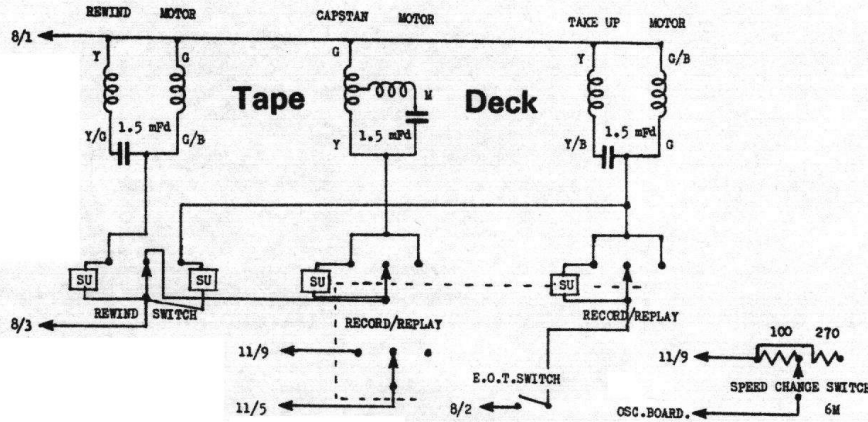
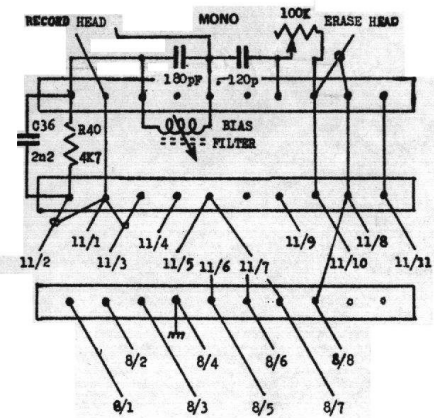


# Transistorised Hi-Fi Tape Link

## Mark 6 Stereo Unit



DECK TERMINAL STRIPS FOR 8 WAY & 11 WAY CABLES.

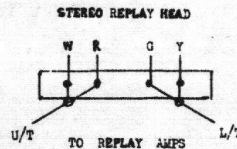


### 11 PIN PLUG/SOCKET CONNECTIONS STEREO.

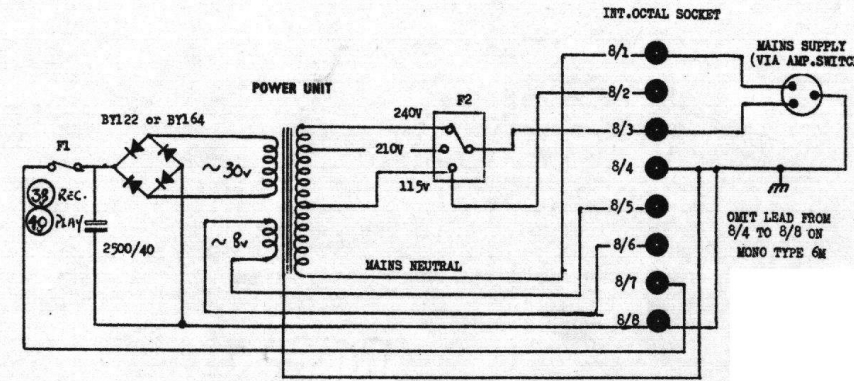
- PIN 11/1 SCREEN OF 11/2 & 11/3.
- 11/2 U/T RECORD SIGNAL.
- 11/3 L/T RECORD SIGNAL.
- 11/4 +DC. FOR BIAS OSC. \*
- 11/5 +DC. FOR REPLAY AMPS.
- 11/6 AC. FOR PILOT LAMPS.
- 11/7 AC. FOR PILOT LAMPS.
- 11/8 SCREEN OF 11/10 & 11/11.
- 11/9 +DC. FOR RECORD AMPS. \*
- 11/10 U/T ERASE/BIAS.
- 11/11 L/T ERASE BIAS.

### 8 PIN PLUG/SOCKET CONNECTIONS STEREO.

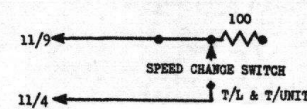
- PIN 8/1 MAINS NEUTRAL.
- 8/2 115v AC. VIA END OF TAPE SWITCH TO TAKE UP MOTOR.
- 8/3 240v AC. TO CAPSTAN & REWIND MOTORS.
- 8/4 EARTH.
- 8/5 AC. FOR PILOT LAMPS.
- 8/6 AC. FOR PILOT LAMPS.
- 8/7 +DC. (40volts) SUPPLY.
- 8/8 NOT USED.



\* THROUGH INTERLOCK SWITCH ON DECK.



F1 750mA T/LINKS  
1.5 Amp 6M  
F2 2Amp. ALL MODELS

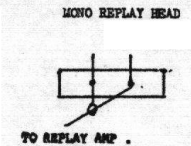


### 11 PIN PLUG/SOCKET CONNECTIONS MONO.

- PIN 11/1 SCREEN OF 11/2.
- 11/2 RECORD SIGNAL.
- 11/3 NOT USED.
- 11/4 NOT USED.
- 11/5 +DC. FOR REPLAY AMPLIFIER.
- 11/6 AC. FOR PILOT LAMPS.
- 11/7 AC. FOR PILOT LAMPS.
- 11/8 EARTH OF POWER O/PUT.
- 11/9 +DC. FOR RECORD AMP.
- 11/10 NOT USED.
- 11/11 NOT USED.

### 8 PIN PLUG/SOCKET CONNECTIONS MONO.

- PIN 8/1 MAINS NEUTRAL.
- 8/2 115v AC. VIA END OF TAPE SWITCH TO TAKE UP MOTOR.
- 8/3 240v AC. TO CAPSTAN & REWIND MOTORS.
- 8/4 EARTH.
- 8/5 AC. FOR PILOT LAMP.
- 8/6 AC. FOR PILOT LAMP.
- 8/7 +DC. (40volts) SUPPLY.
- 8/8 -DC. FOR RECORD & REPLAY AMPS.



Brenell Engineering reserve the right to alter the specification as modifications are made.

## Brenell Engineering Co. Ltd.

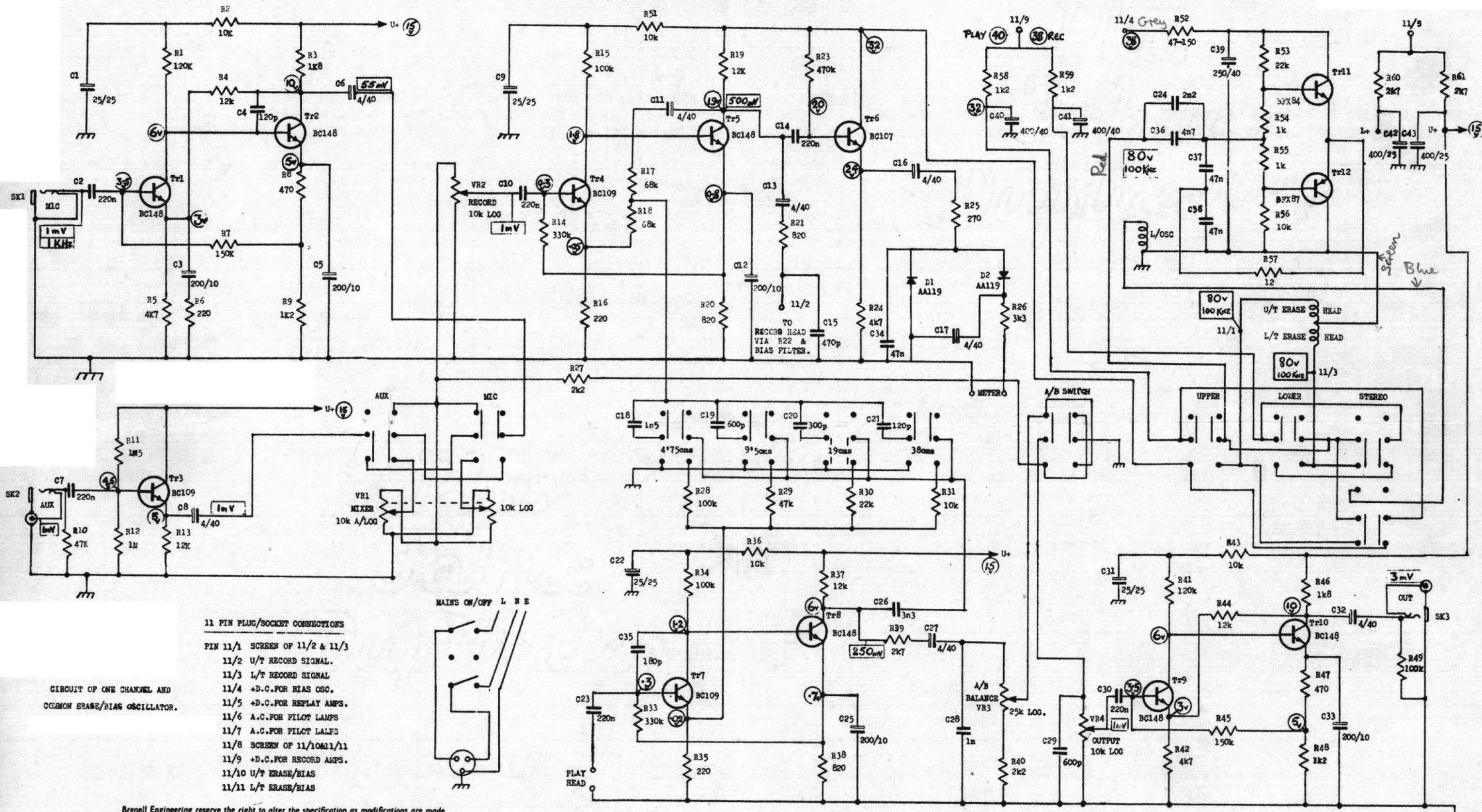
231/235 Liverpool Road, London, N.1  
Tel. No.: 01-807 8271

# Mark 6 Stereo Unit



# Mark 6 Stereo Unit

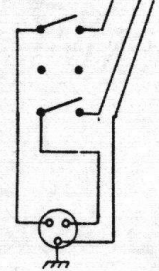
## Transistorised Hi-Fi Tape Link



**11 PIN PLUG/SOCKET CONNECTIONS**

- PIN 11/1 SCREEN OF 11/2 & 11/3
- 11/2 U/T RECORD SIGNAL.
- 11/3 L/T RECORD SIGNAL
- 11/4 +D.C.FOR BIAS OSC.
- 11/5 +D.C.FOR REPLAY AMPS.
- 11/6 A.C.FOR PILOT LAMPS
- 11/7 A.C.FOR PILOT LAMPS
- 11/8 SCREEN OF 11/10&11/11
- 11/9 +D.C.FOR RECORD AMPS.
- 11/10 U/T ERASE/BIAS
- 11/11 L/T ERASE/BIAS

**MAINS ON/OFF L N E**



CIRCUIT OF ONE CHANNEL AND COMMON ERASE/BIAS OSCILLATOR.

Brenell Engineering reserve the right to alter the specification as modifications are made.  
 Sole Manufacturers  
**BRENNELL ENGINEERING CO LTD**  
 231-235 Liverpool Road London N1 Telephone NORTH 8271 (5 lines)  
 Suppliers to: British Government Ministries, BBC, ATV, Pathé, Rank, Kodak, Universities and Schools etc., etc.

**VOLTAGE MEASUREMENTS.**  
 DC. DECK TO RECORD. AVO MODEL 8.  
 SIGNAL. DECK TO RECORD. LEVELL TM2 (DIS.DC.FROM OSC.).  
 BIAS. LEVELL TM2 METER.