

CK 22 OMNIDIRECTIONAL CONDENSER CAPSULE

Integrated pop filter

Integrated ceramic electrode, highly stable, aging-resistant diaphragm

Linear frequency response over the entire transmission range between 20 ... 20 000 Hz

Omni-directional characteristic, independent of frequency

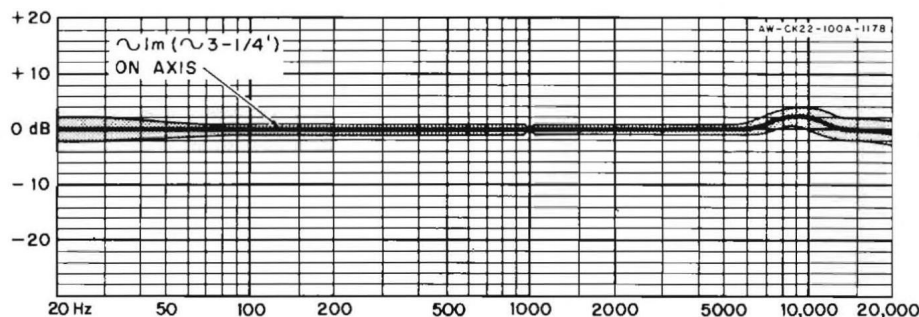
Functions up to 99% relative humidity



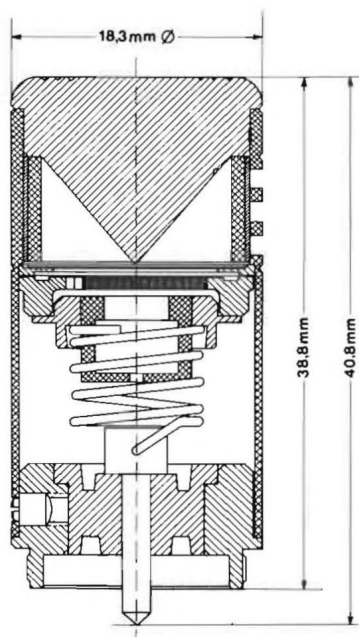
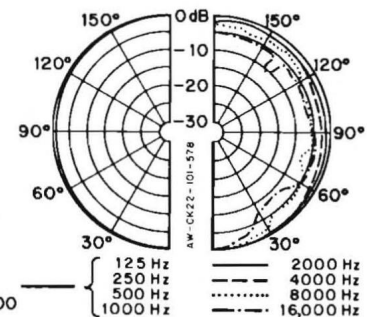
REPLACES CK-2

Available in two versions:
standard matte-nickel finish
and satin-black-chrome finish.

Frequency response curve



Polar diagram



Technical Data:

Transducer type: pressure receiver
 Frequency range: 20 ... 20.000 Hz
 Polar response: omni-directional
 Sensitivity at 1000 Hz: 0.8 mV/ μ b \pm 8 mV/Pa
 Unweighted noise level: 3.6 μ V r.m.s.
 Weighted noise level: 2.3 μ V r.m.s. } measured with filter
 Equivalent noise level: 23 dB } CCITT-C acc. to DIN 45405
 Capacitance of transducer: 27 pF
 Weight: 40 g net, 80 g gross
 Operating temperature range: - 20°C ... + 60°C (0°F to 140°F)
 Rel. humidity: at 20°C (68°F) up to 99 %
 at 60°C (140°F) up to 95 %

Measuring conditions:

The transducer has been measured with an AKG standard preamplifier with the following data:
 No load amplification: 0.47
 Input capacitance: 12 pF
 Polarisation voltage: 62 volts
 Output impedance: 120 ohms

SCANS von archive.org