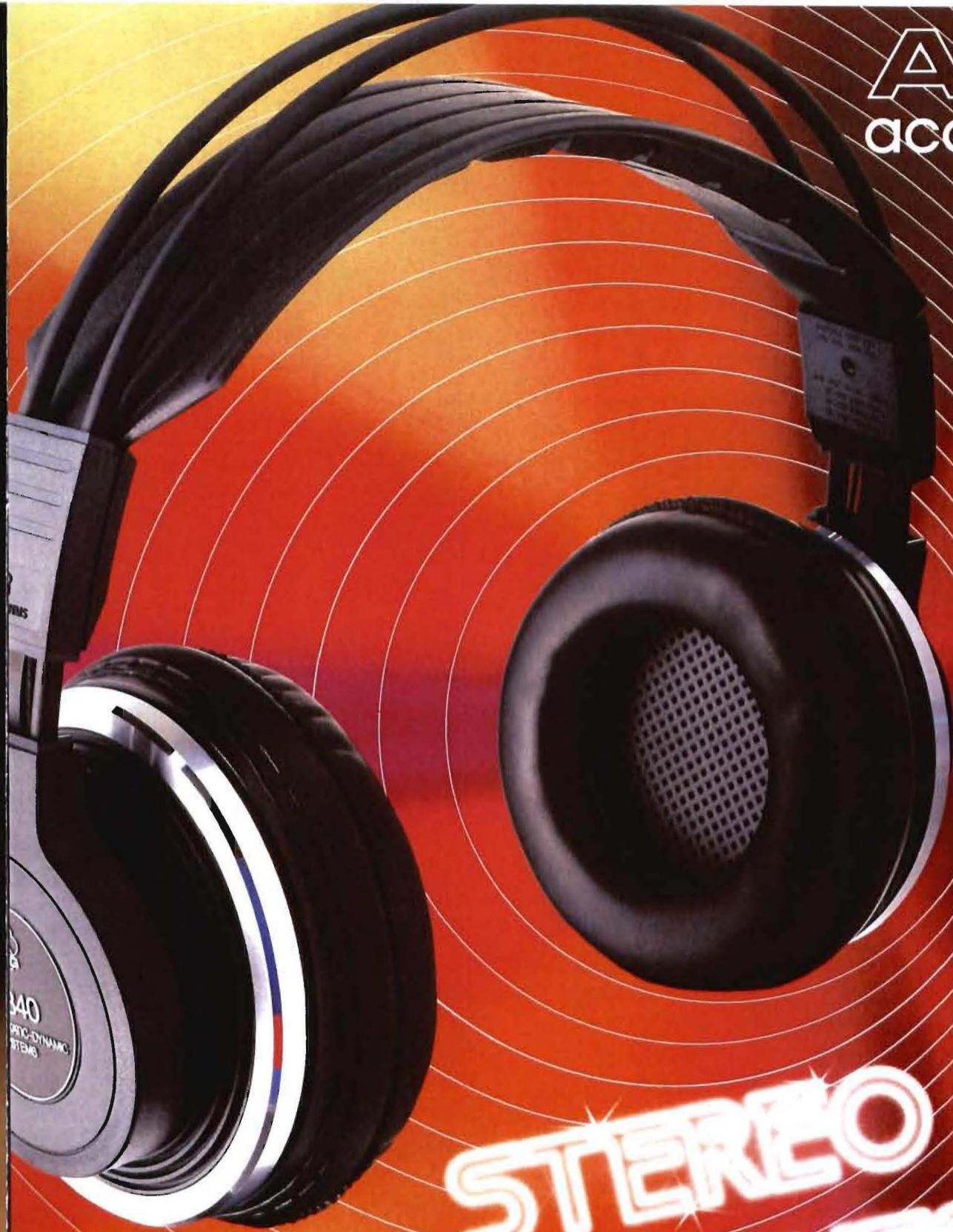


AKG[®]
acoustics



**STEREO
HEADPHONES**

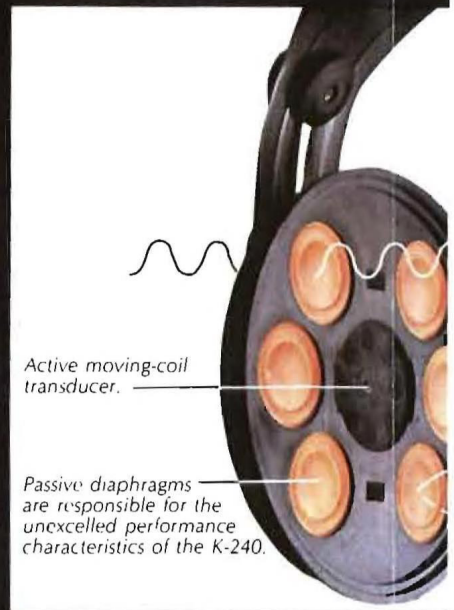
440
DYNAMIC
SYSTEM

K-240 UNIQUELY ENGINEERED—INTRODUCING "PASSIVE DIAPHRAGMS"



Among AKG patents, none is more significant than the *Passive Diaphragms* found in our K-240, K-340 and K-3 models. Mounted within each earpiece, they perform two distinct functions when activated by sound waves. 1) They are acoustically transparent above 200 Hz, and one listens in a virtually "free field." Unwanted mid- and high-frequency peaks and valleys of conventional circumaural (closed) headphones are eliminated. Sound enters the ear in a "normal" manner as

Common to all AKG headphone designs, the circumaural K-240 possesses outstanding features which increase wearing comfort, fit and flexibility of the headphone. Unique self-adjusting headband and cardan-swivels locate the earpieces precisely and accurately regardless of head or ear shape. Long-term wearer fatigue is eliminated. Weight is distributed uniformly over wide headbands. In environments where noise could be a problem, circumaural headphones are an ideal selection. And remember, the patented "Passive Diaphragms" yield qualities equal to the most natural listening environment.

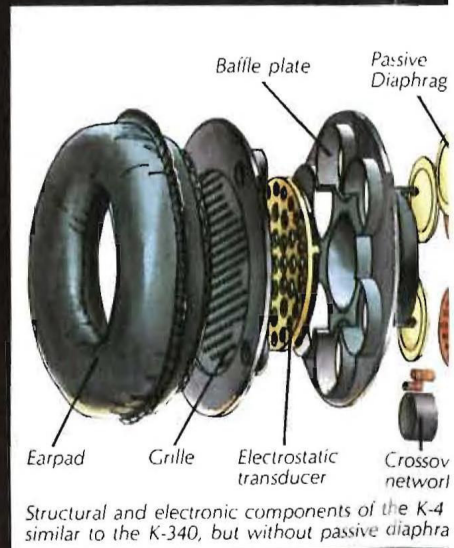


K-340 BRILLIANTLY CONCEIVED—AN INCREDIBLE COMBINATION



Utilizing *Passive Diaphragms* to take advantage of all the benefits offered by both "open air" and "sealed" headphone designs, AKG engineers combined microphone derived moving-coil transducers (typically yielding stronger bass) with high-frequency electrostatic transducers (capable of superb transient response) and, in so doing, eliminated the need for external

On a par with the most elaborate electrostatic speakers in transparency and accuracy, the K-340 will reproduce deeper and more precisely defined bass than is available from most dynamic loudspeakers . . . while free from the effects of room acoustics. Every detail of the sound is clear and natural while the acoustic imaging is better localized than with any other headphone. With the numerous technological advantages to be found at AKG . . . nothing has been overlooked in the K-340 design. The result reveals every detail in the music for your amazement and enjoyment. Being circum-aural, it isolates you from your listening environment.



PHRAGMS"—A SIGNIFICANT AUDIO

TRIUMPH!

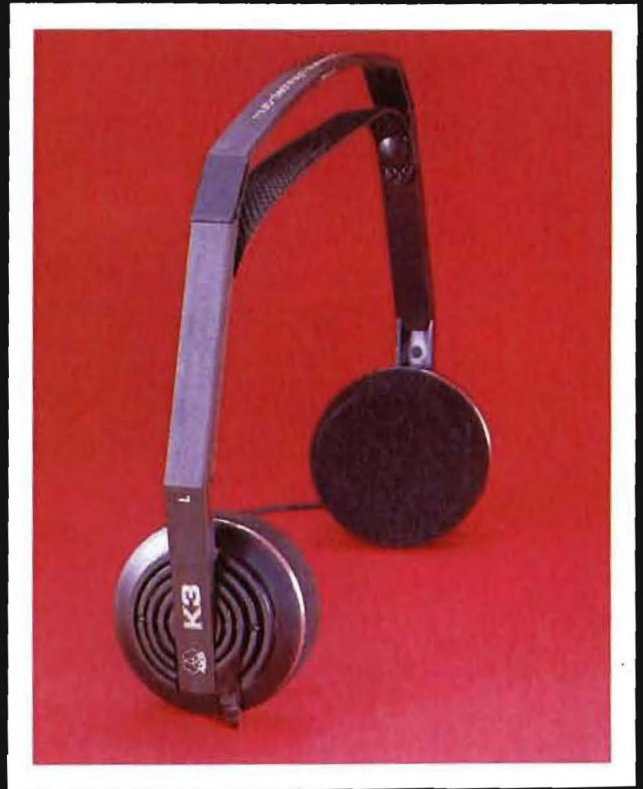
K-3

in supra-aural (open) headphones. 2) Below 200 Hz, combined with acoustical "screens," they form a controlled, damped vent to flatten out any bass peaks . . . thus eliminating boominess common in most circumaural headphones, and extends linear response lower than would otherwise be possible in supra-aural headphones. The result is pure listening pleasure . . . you hear tone gradations often lost in loudspeakers or in the listening room environment.

At high frequencies, the passive diaphragms are acoustically transparent—the K-240 operates as an open-air phone, thereby allowing sound to enter the ear in a natural manner maintaining a smooth and transparent top end.

At low frequencies, the passive diaphragms create semi-sealed enclosure providing a flat and extended bass response.

The K-3 is an AKG miniature lightweight (2 oz.) version of the famous K-240, and is equipped with a multi-diaphragm system comprised of audio membranes which provide "free-field" listening above 200 Hz. And below that value, produces linear, extended bass reproduction often lacking in competitive products. With the K-3, musical content of any program is as realistic and natural as a live performance . . . free from any coloration caused by the acoustics of your listening room.



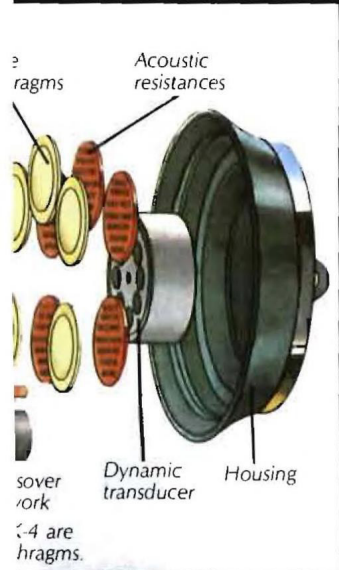
N OF DYNAMIC AND ELECTROSTATIC

TECHNOLOGIES

K-4

polarizing voltage and cumbersome, often costly, power supplies or adapter boxes of conventional electrostatic headphones. Both the K-340 and the K-4 are plugged directly into the headphone jack of any receiver, amplifier or tape deck. There are virtually no limitations as to the use of these two headphones or the volume to which they can be safely driven.

The K-4 is a miniature lightweight (2.3 oz.) version of the K-340 . . . the only headphones of their type in the world. All of the values inherent in its design are similar to those found in the K-340 . . . except size. Careful miniaturization has produced a mimic of its larger counterpart. It is supra-aural, very lightweight and, because it is coloration-free it virtually eliminates listening fatigue. You can be aware of room ambience. For its size, it is an amazing performer . . . offering all the advantages of combining deeper, un-muddied bass and the high-frequency clarity and detail of instruments and vocals. An unbelievable listening experience!



combined
amped
boom-
extends
sible in
leisure
ys or in

re light-
famous
a multi-
of audio
e "free-
Hz. And
near, ex-
ten lack-
With the
program
as a live
ny color-
s of your

STATIC

power
rostatic
directly
de deck.
ese two
r driven.

eight (2, 3
the only
ne world.
its design
he K-340
turization
its larger
very light-
ation-free
g fatigue,
nherence.
performer
s of com-
bass and
f detail of
unbeliev-



TECHNICAL DATA

OPERATING PRINCIPLE
FREQUENCY RANGE
NOMINAL SOUND PRESSURE LEVEL (at 1,000 Hz)
NOMINAL IMPEDANCE
MAXIMUM INPUT
% THD AT 95 dB SPL
WEIGHT
CABLE LENGTH

OPERATING PRINCIPLE
FREQUENCY RANGE
NOMINAL SOUND PRESSURE LEVEL (at 1,000 Hz)
NOMINAL IMPEDANCE
MAXIMUM INPUT
% THD AT 95 dB SPL
WEIGHT
CABLE LENGTH

K-340

Dynamic/Electrostatic
15-25,000 Hz

104 dB
400 Ohms per System
10V
0.1
385g (13.5 oz) without cable
3 meters (10 ft) coiled
¼ inch phono plug

Combines strong bass of dynamic transducers and transparent highs of electrostatic elements. Together with patented Passive Diaphragms and combfilter technology, the K-340 recreates vital localized information unavailable in any other headphone. Extremely wide range. Self-adjusting headband.

K-45

Dynamic moving coil
30-18,000 Hz

94 dB
200 Ohms per System
6.3V
0.9
30-16,000
2.5 meters (8 ft) ¼" phono plug

An economy headphone . . . in price only. This high-performance model is supra-aural and is a true "open air" design. Despite being inexpensive, it is equipped with larger transducers such as those found in higher-end models. It provides excellent high-quality audio reproduction.

K-240

Dynamic moving coil
15-20,000 Hz

112 dB
600 Ohms per System
11V
0.3
224g (7.9 oz) without cable
3 meters (10 ft)
¼ inch phono plug

Utilizes Passive Diaphragms and acoustic "screens" for controlled response and "free-field" realism. Dynamic transducers provide accurate reproduction and high output. Universal gimbal (cardan) suspension for each earpiece with self-adjusting headband is comfortable to wear over long periods. Favorite of recording and broadcast studios.

K-4

Dynamic/Electrostatic
20-25,000 Hz

92 dB
400 Ohms per System
8.9V
1.0
65g (2.3 oz) without cable
3 meters (10 ft) ¼" phono plug

This featherweight version of the K-340 is supra-aural allowing the user to be aware of the sounds of his environment. Most of the superb features which makes the K-340 the highest quality headphone available . . . combined dynamic and electrostatic technologies . . . are designed into this fantastic model. Novel self-adjusting headband.

K-141

Dynamic moving coil
20-20,000 Hz

107 dB
600 Ohms per System
11V
0.5
196g (6.9 oz) without cable
3 meters (10 ft) ¼" phono plug

A lightweight, semi-open headphone featuring the resonance-free characteristics of "open air" designs and freedom from low-frequency side-effects caused by conventional circum-aural headphones. Provides excellent clarity and definition. Self-adjusting headband. A favorite at recording studios.

K-3

Dynamic moving coil
20-20,000 Hz

92 dB
200 Ohms per System
6.3V
1.0
60g (2 oz) without cable
3 meters (10 ft) ¼" phono plug

Another featherweight model, the K-3 is the supra-aural version of the K-240. It also utilizes Passive Diaphragms to guarantee a high degree of "free-field" realism which must be heard to be believed. Like the K-4, the self-adjusting headband and universal cardan earpiece suspensions make fit and long term wear simple and easy.

K-130

Dynamic moving coil
20-20,000 Hz

94 dB
200 Ohms per System
9V
0.7
126g (4.4 oz) without cable
2.7 meters (9 ft) ¼" phono plug

This supra-aural headphone, as with all AKG headphones, uses microphone-derived transducers rather than inexpensive paper-cone loudspeakers. Earpieces are supported by a current-carrying wire spanner with a pliable conforming headband, and swivel to snugly fit the ear. Cloth covered foam pads add to wearer comfort.

K-2

Dynamic moving coil
30-18,000 Hz

92 dB
200 Ohms per system
6.3V
1.0
90g (3.2 oz) without cable
2.5m (8 ft) ¼" phono plug

Uncompromising in quality construction with features found in most high end competitive headphones. Microphone derived transducers effectively reproduce sound with a realism equal to original performances. In addition, comfort features makes long wear unnoticed. Desirable, critical choice!

K-40



Finest of the AKG conventional headphone designs, this lightweight semi-open model also features the much desired resonance-free characteristics of "open air" hearing with absence of low-frequency side effects found in most circum-aural headphones. Provides supreme clarity and definition throughout the entire frequency spectrum. Widely used as a monitoring headphone. Noted for natural, unexaggerated stereo separation.

K-130



A stepped-up model over the K-40, with numerous subtle design refinements. The K-130 boasts an exceptionally wide frequency range—providing the user a tireless, natural listening experience. A supra-aural, its foam padded and vented earpieces promote resonance-free "open air" listening enjoyment . . . supported by a comfortable, flexible headband. Patented AKG cardan-coupled, it is light and easy to wear over long periods of use. Goes unnoticed! A worthy performer.

K-45



Excellent choice whenever a rugged headphone is preferred which is both high in performance and also economical to purchase. Its vented earpieces are furnished with large dynamic moving coil transducers, and cardan-coupled on a flexi-plastic headband. It is supra-aural, with acoustical foam earpads. True "open air" model. Provides quality reproduction.

K-2



Medium-size stereo headphones features wide frequency listening range via large dynamic moving coil transducers to produce "you-are-there" realism to your favorite programs or records. Supra-aural design, vertical earpiece adjustment plus cardan-coupling, fits ears with minimum contact pressure affording user hours of tireless, fabulous audio.

scans von archive-org