

Description

The smallest of the mixer range offers excellent quality and versatility with many facilities usually only found on larger mixers. It can be supplied as a free-standing unit or a combination of mixer with integral stereo 128 watt per channel power Mos-FET amplifier. Each input channel has both an electronically balanced low impedance microphone input and line input. You may, therefore, connect tape decks or microphones to any channel. (You will need to use 2 channels per deck for stereo operation). Consequently the mixer is suitable for stage work and home recording with no modifications being necessary. It may be used as an on-stage keyboard mixer, on-stage foldback mixer (the 6/2S with internal amplifiers would be ideal) or in conjunction with a large mixer on the effects send to allow up to six effects to be mixed into its' effects returns. The first control of a channel is the input gain level. Used in conjunction with the L.E.D. peak indicator situated near the fader this control allows you to obtain the best signal to noise ratio without overloading the input. Next follows the E.Q. section comprising treble, middle and bass controls. The E. Q. is followed by a pre-fader foldback level and a post-fader effects level. The output of the channel may be swept between left and right master outputs by means of the pan control. The overall gain is governed by the channel fader. The master section has effects send and return levels enabling any effects unit to be utilised regardless of its input sensitivity and output level. There is a foldback master and headphone monitoring level. The output levels are controlled by left and right master faders and are monitored at all times by two large V.U. meters. The mixer dimensions are compatible with standard 19" rack mounting systems and adaptor plates are available for this purpose. These plates are designed so that if reversed they may be used to fasten the mixer to either a table top or a wall for permanent installation use. All input and output connections are on standard 1/4" jack sockets.

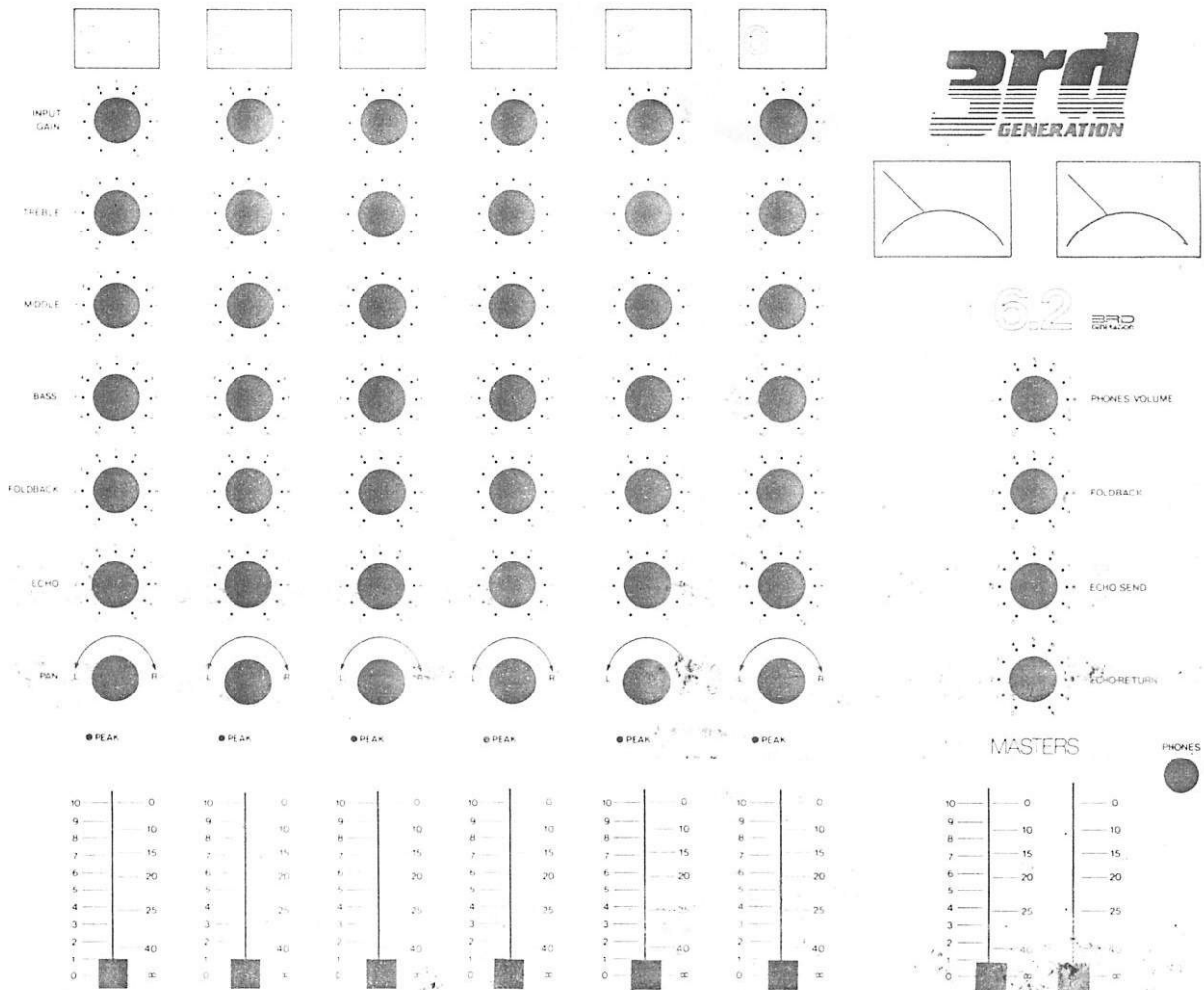
On the 6/2S (mixer and amplifier) model the amplifier and mixer are fused separately and have totally separate power supplies and power switches. Therefore, in the unlikely event of a fault developing in either section, the remaining unit will continue to function. The output from the mixer and input to the power amplifier are internally connected via switched jack sockets. If for any reason you need to use either unit independently insertion of a jack plug into either the mixer output or auxilliary amplifier inputs will automatically disconnect the units. Maximum power output would be obtained with a minimum loudspeaker load impedance of 8 ohms per amplifier. If higher loudspeaker impedances are used the output power will merely reduce correspondingly.

NPL Maschug 50 2083 Halske bele/ump. 04101146977

6/2 Operation

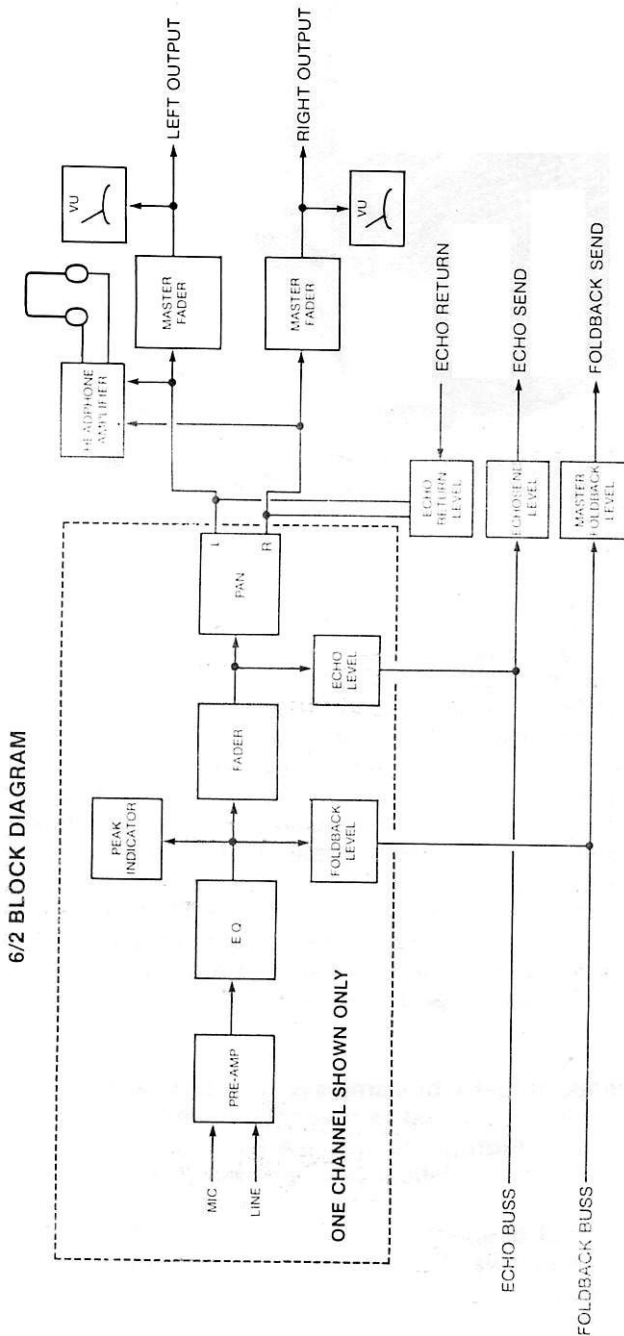
Read the following instructions in conjunction with the chapter on setting up and operating the sound system and study the control layout diagram.

1. Connect *screened* cables between the left and right master outputs and the corresponding inputs of a stereo power amplifier or tape deck.
2. Connect the mains lead supplied to a suitable power source (220v/240v A.C. 50/60 hertz).
3. Connect your signal sources to the required input jacks (tape decks to the line input. Use two channels per deck for stereo operation. Balanced low impedance microphones to the mic. inputs.)
4. Turn on the mixer first followed by the power amplifier.
5. With all faders at zero set input gain by talking loudly into a microphone or by playing a tape and raise the input gain level until the peak indicator just begins to fire.
6. Raise the master faders.
7. Raise the channel faders one at a time and set the tone controls as desired. This will probably affect the gain. Watch the peak indicators and reduce the input gain level if necessary.
8. Position each channel in the stereo spectrum by means of the pan control.
9. Raise master faders to the final desired level and observe the V.U. meters for any overloads.
10. If any effects units are to be used they should be connected between the effects send and return socket (this is a stereo jack socket. The collar is send to the effects - the tip is return to the mixer.) Raise the master effects send and return levels, now raise the channel effect levels until sufficient effect is present. Some adjustments of the effects send and return master levels will be necessary to obtain the best signal to noise ratio without overloading the effects units input.
11. If a foldback system is used in conjunction with the mixer it should be connected to the foldback output and the master foldback level raised followed by the channel foldback level.



6/2S Operation

1. Loudspeaker cabinets should be connected to the left and right amplifier outputs marked on the rear panel of the amplifier section (minimum total load impedance 8 ohms per side.) Use heavy duty 2 core cable (.75).
2. The mixer outputs and amplifier inputs are internally connected via switched jack sockets. Access may be gained to either unit independently of the other by insertion of a jack plug into either the mixer outputs or amplifier inputs. The two sections are then automatically disconnected. E.g. if you need to use the mixer, connect to the outputs. The amplifier section will be disconnected. If you need to use the amplifier, connect to the amplifier inputs. The mixer section will be disconnected.
3. Proceed from instruction 2 under heading of 6/2 Operation.



SPECIFICATIONS

GENERAL

MAXIMUM GAIN THROUGH MIXER mic input 80dB
 line input 35dB
 FREQUENCY RESPONSE -3dB points 20Hz and 30KHz
 L.F. roll off -10dB cut at 10Hz
 EQUIVALENT INPUT NOISE 126dB
 DISTORTION at +10dBm less than .09% measured at master outputs.

CHANNEL

MICROPHONE INPUT electronically balanced.
 Continuously variable gain control. Maximum gain 50dB. Impedance 1.2K ohm.
 LINE INPUT. Maximum gain 25dB. Impedance 4.7K ohm.
 EQUALISATION
 Treble +22dB at 12KHz
 Middle -12dB at 550Hz
 Bass +22dB at 30Hz
 PEAK L.E.D. +15dBm at onset of firing
 FADER RANGE 0dB to infinity.

OUTPUTS

LEFT AND RIGHT MASTERS +20dBm into 10K ohm load. -17dBm into 600 ohm load.
 FOLDBACK AND ECHO SEND OUTPUTS +20dBm into 10K ohm load. +17dBm into 600 ohm load. Output resistances less than 100 ohm in all cases.
 CROSSTALK Between adjacent channels -55dBm. Between masters -75dBm.
 ECHO RETURN SENSITIVITY — Maximum input sensitivity -22dBm Measured at maximum output 0dB on meters = -6dBm.

6/2S MOS-FET AMPLIFIER SECTION

EACH CHANNEL Input sensitivity +3dBm for maximum undistorted output.

POWER OUTPUT per channel (watts R.M.S.) both channels driven.

128 into 8 ohms.
 85 into 16 ohms.
 Input resistance = 7.5K ohm at 1KHz
 T.H.D. less than 0.02% prior to clipping
 Frequency response 20Hz-30KHz -1dB +0dB
 Power band width 20Hz-30KHz -1dB +0dB
 Damping factor 200
 Signal to noise ratio 108dB.
 Unconditionally stable into all loads.

DIMENSIONS

G6/2. 430mm x 380mm x 75mm. Weight 7kg.
 G6/2S. 430mm x 380mm x 200mm. Weight 14kg.