

ORDER PARTS FROM APPARATUS PARTS SERVICE • EASTMAN KODAK COMPANY, ROCHESTER 4, N. Y.

Corrected to NOVEMBER 1959

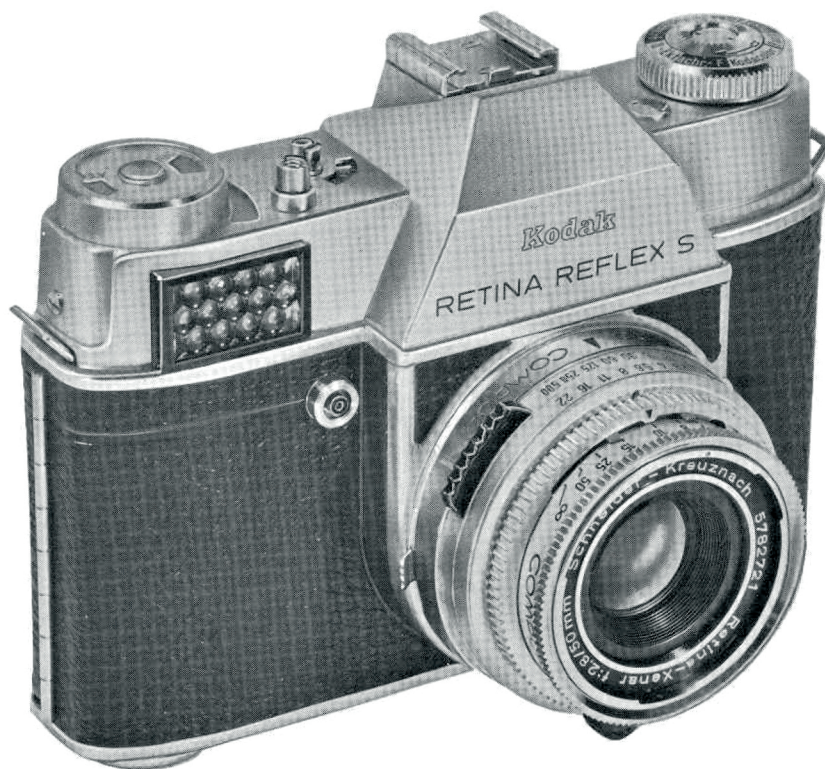
PARTS LIST No. 5524

KODAK RETINA REFLEX S CAMERA

**WITH
SYNCHRO COMPUR SHUTTER**

**AND
Kodak Retina Field Case**

Models C and D



EASTMAN KODAK COMPANY • ROCHESTER 4, N. Y.

KODAK RETINA REFLEX S CAMERA PARTS LIST

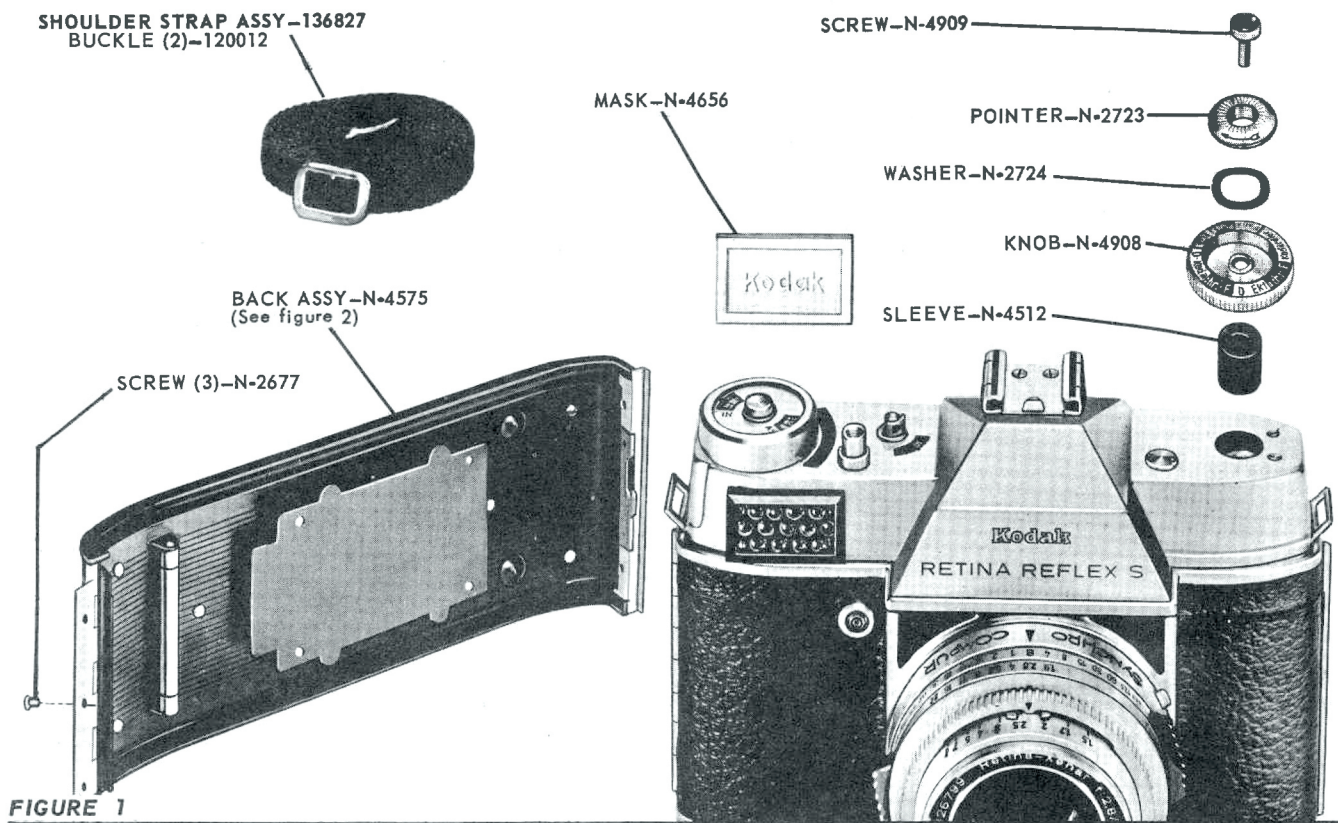


FIGURE 1

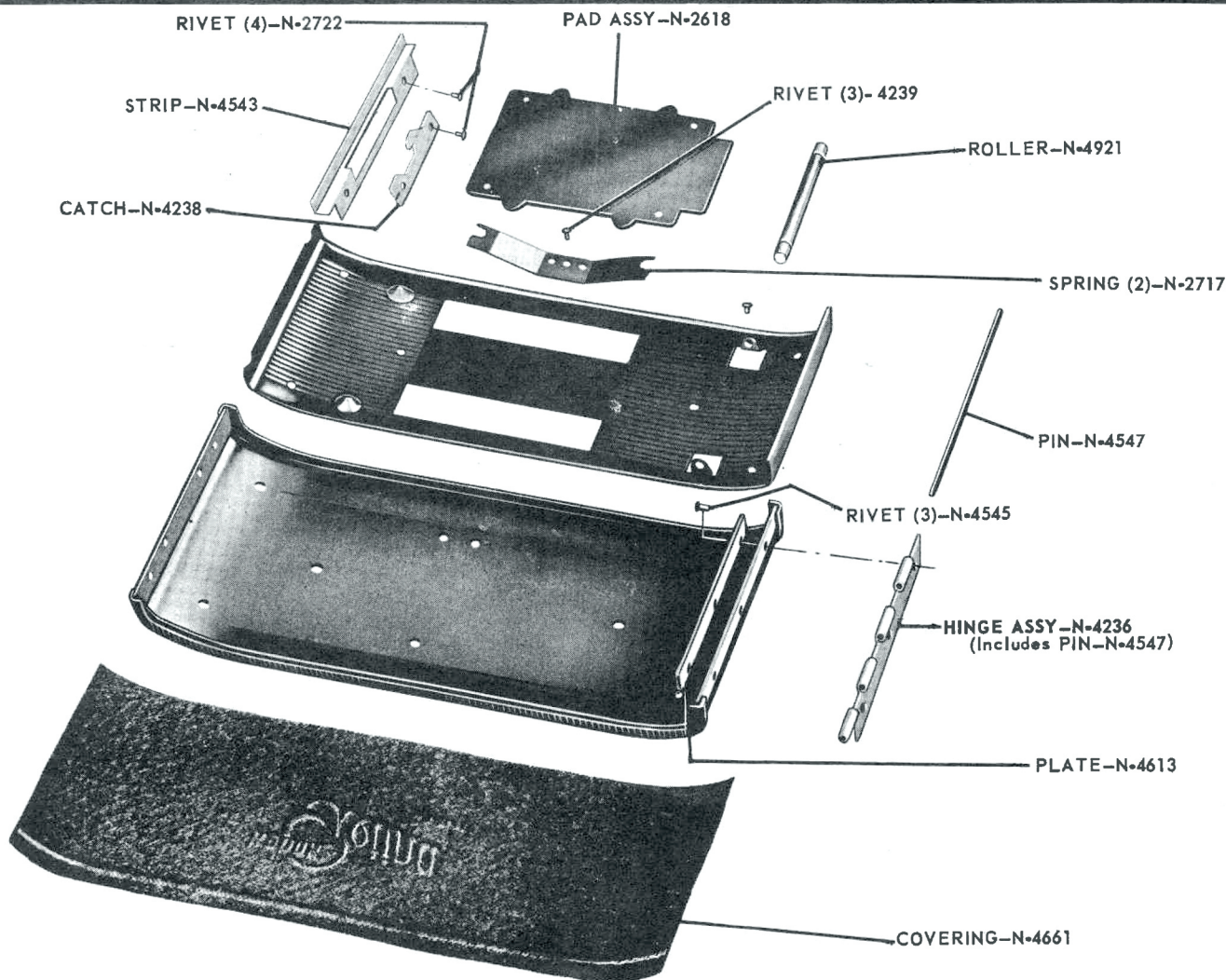


FIGURE 2

Always give PART NUMBER and NAME when ordering parts

KODAK RETINA REFLEX S CAMERA PARTS LIST

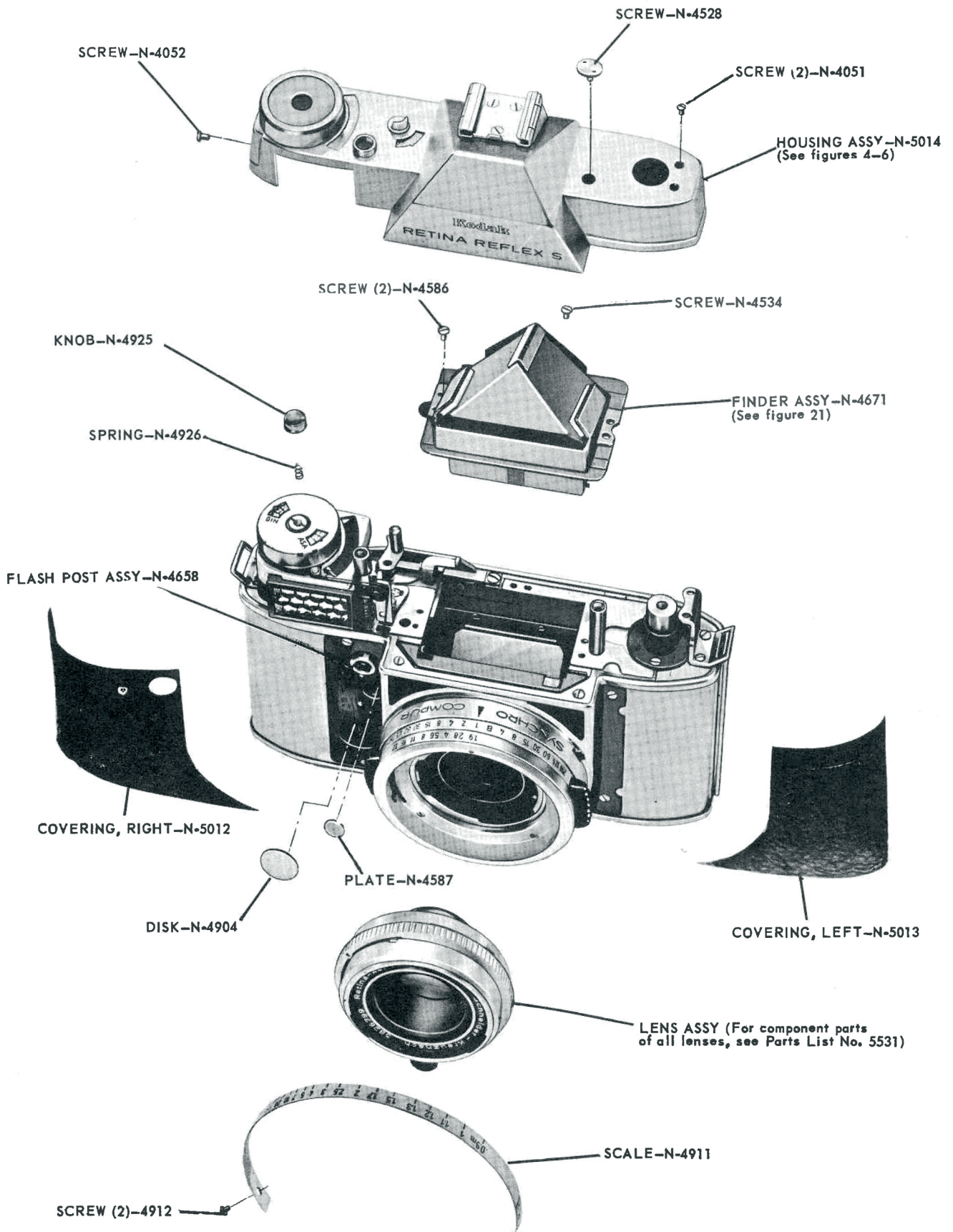


FIGURE 3

Always give PART NUMBER and NAME when ordering parts

KODAK RETINA REFLEX S CAMERA PARTS LIST

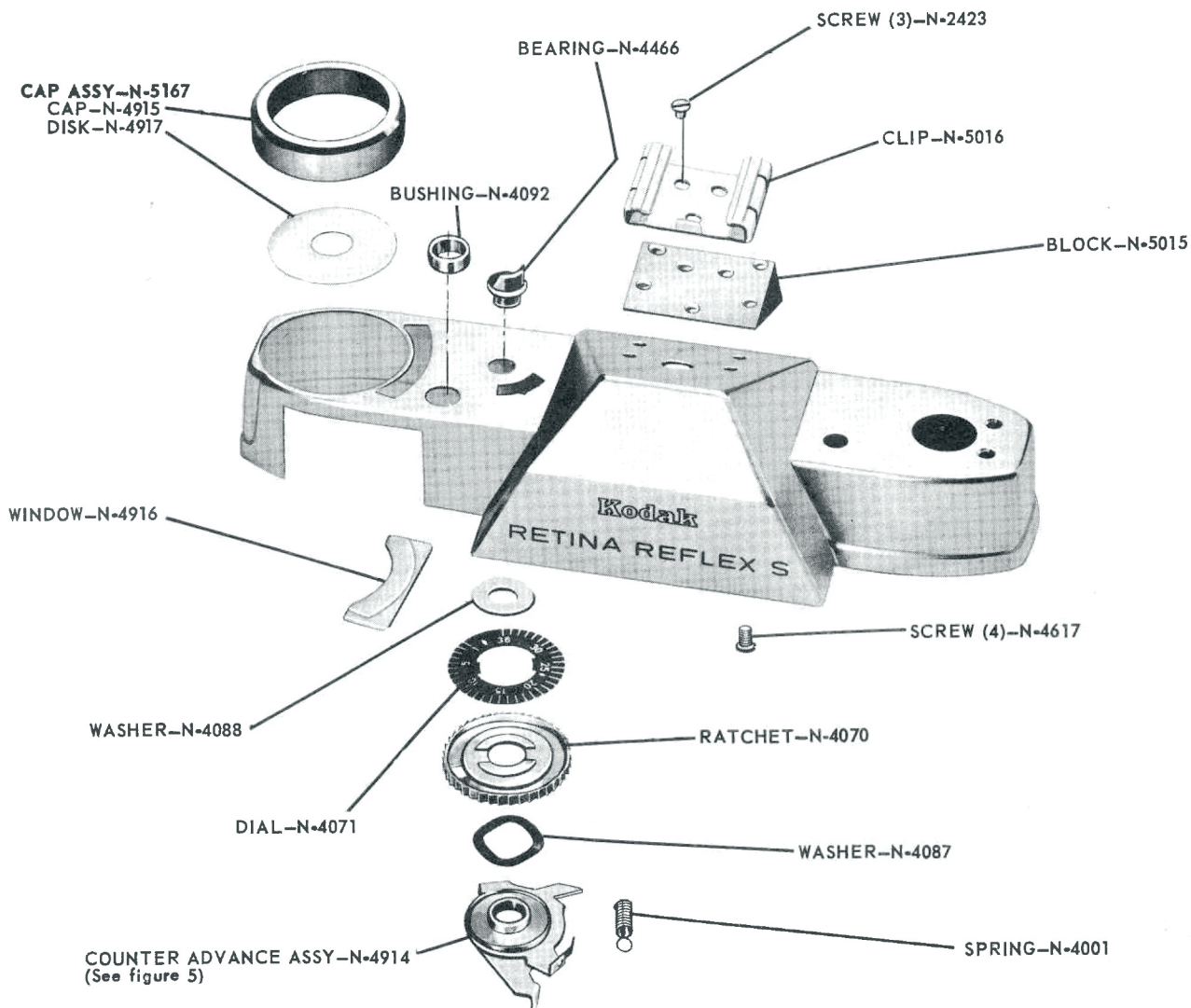


FIGURE 4

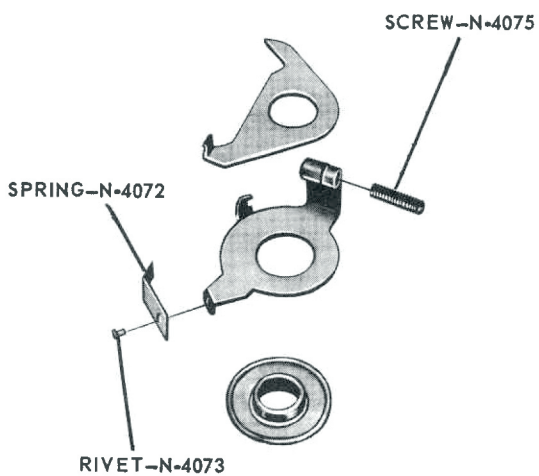


FIGURE 5

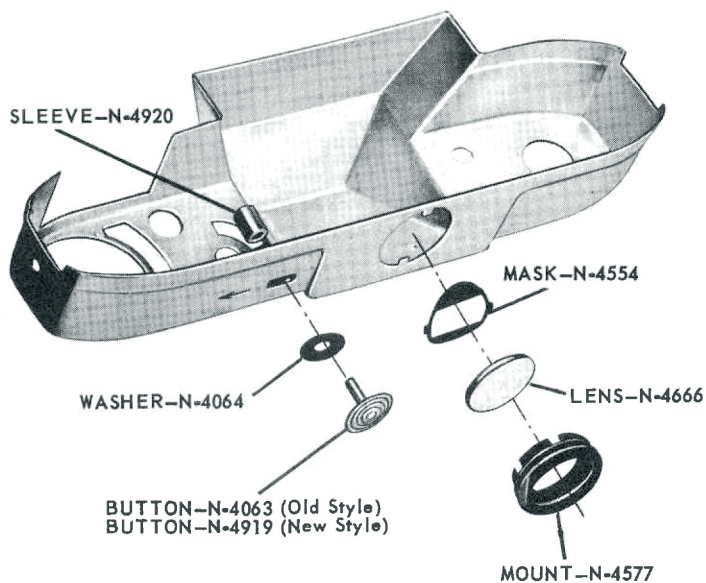
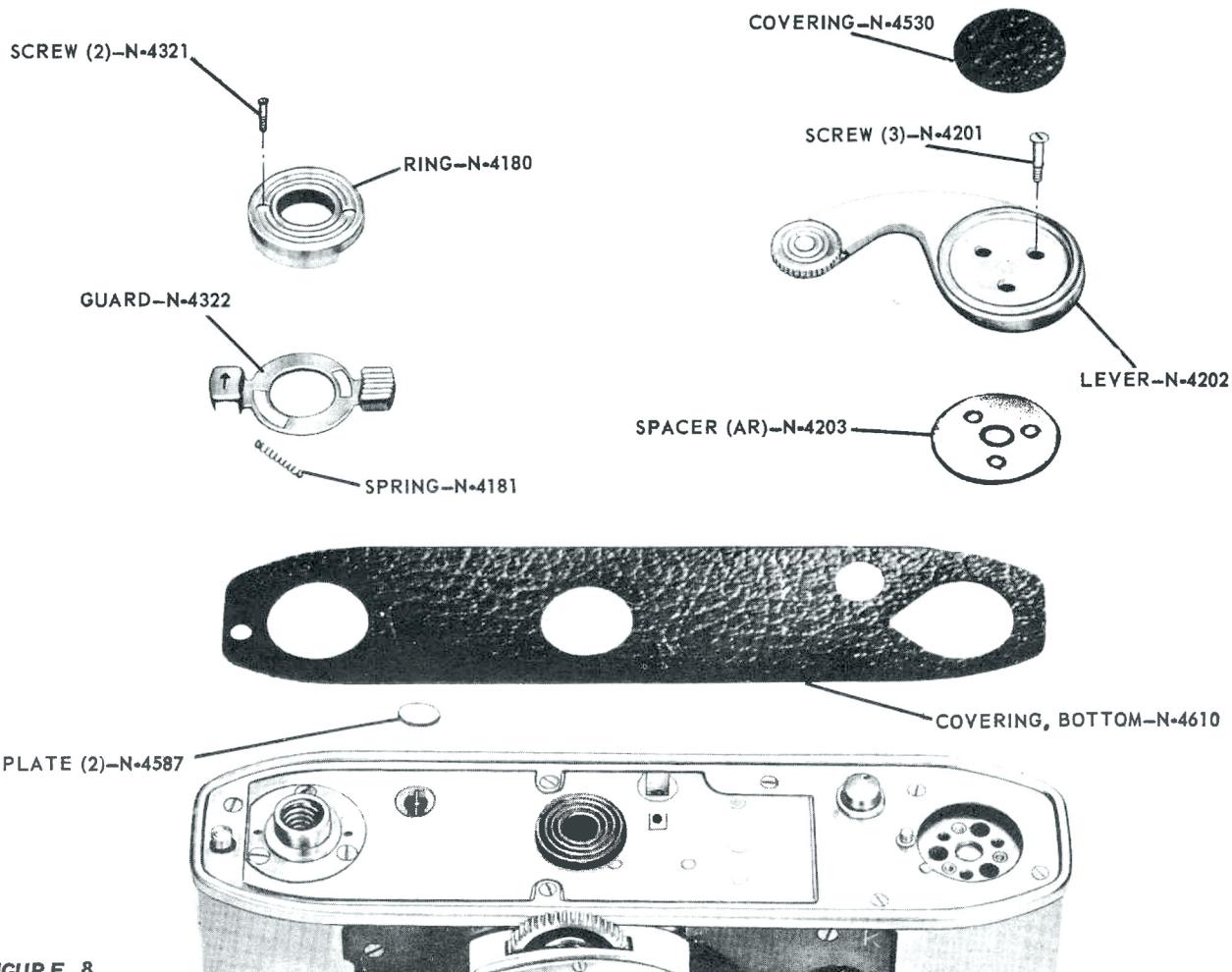
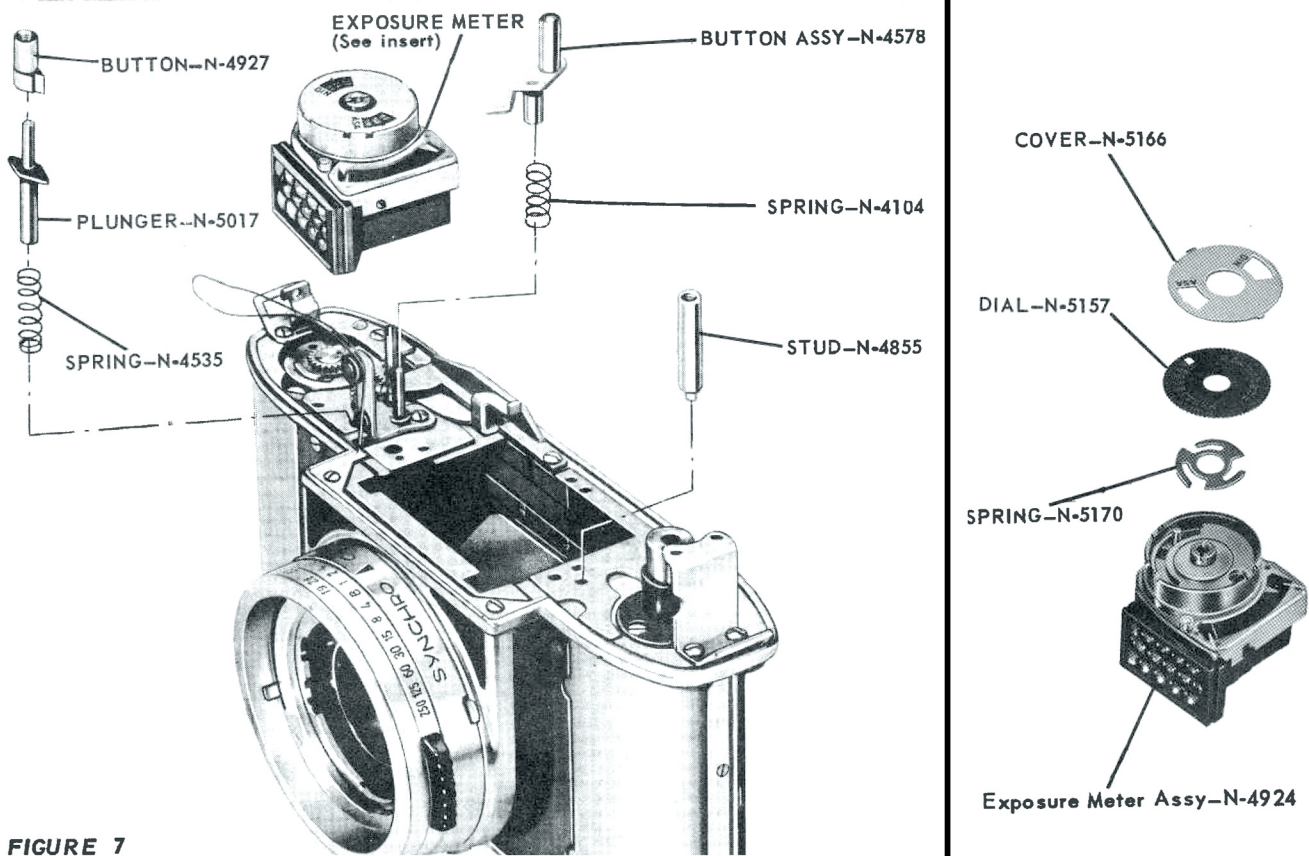


FIGURE 6

Always give PART NUMBER and NAME when ordering parts

KODAK RETINA REFLEX S CAMERA PARTS LIST



Always give PART NUMBER and NAME when ordering parts

KODAK RETINA REFLEX S CAMERA PARTS LIST

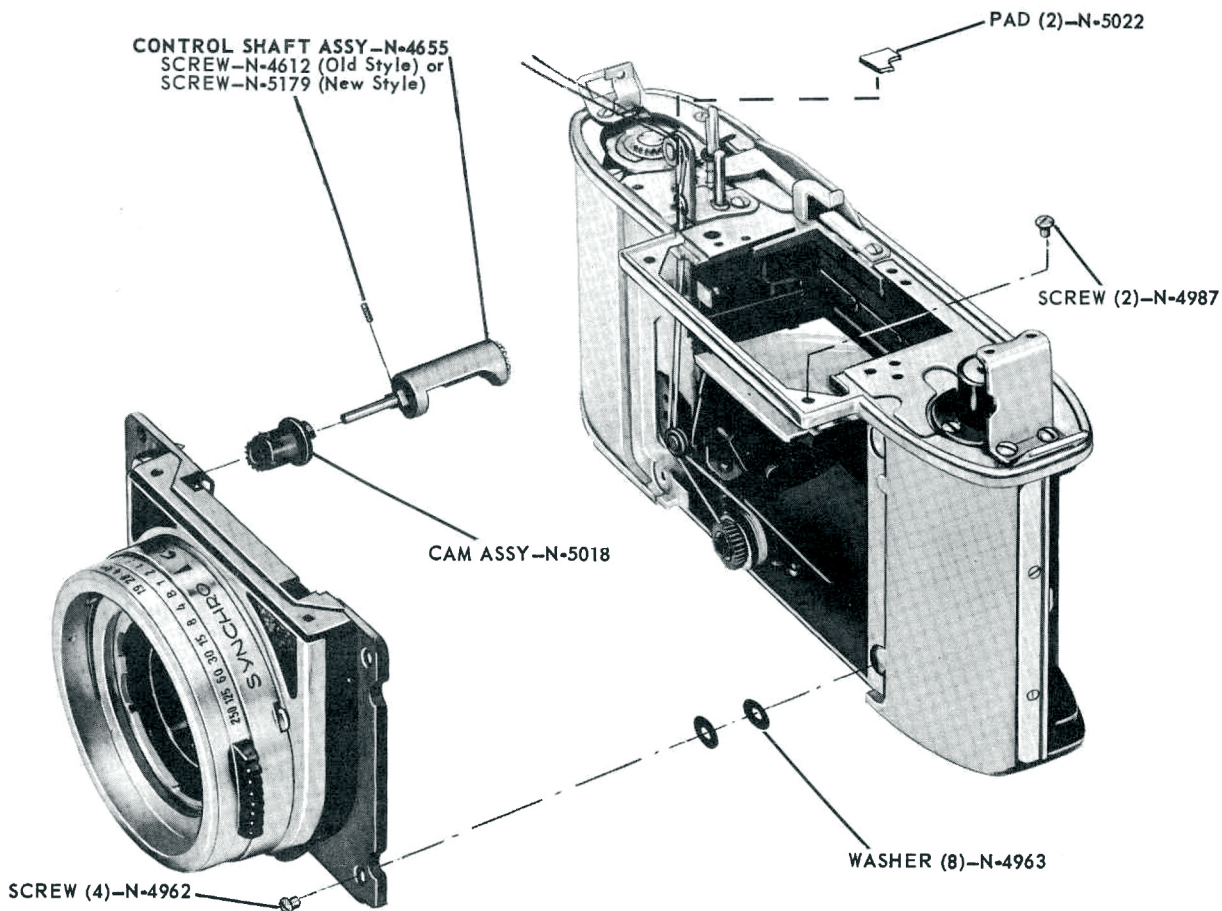


FIGURE 9

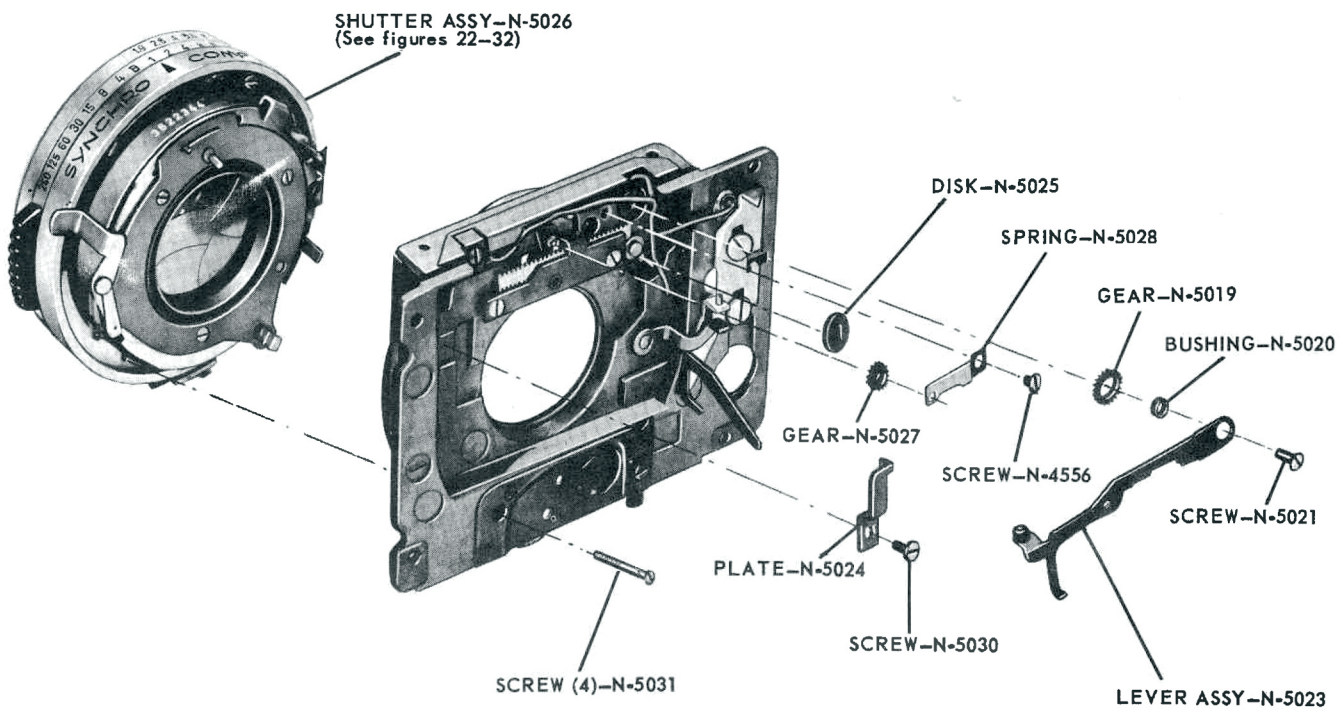


FIGURE 10

Always give PART NUMBER and NAME when ordering parts

KODAK RETINA REFLEX S CAMERA PARTS LIST

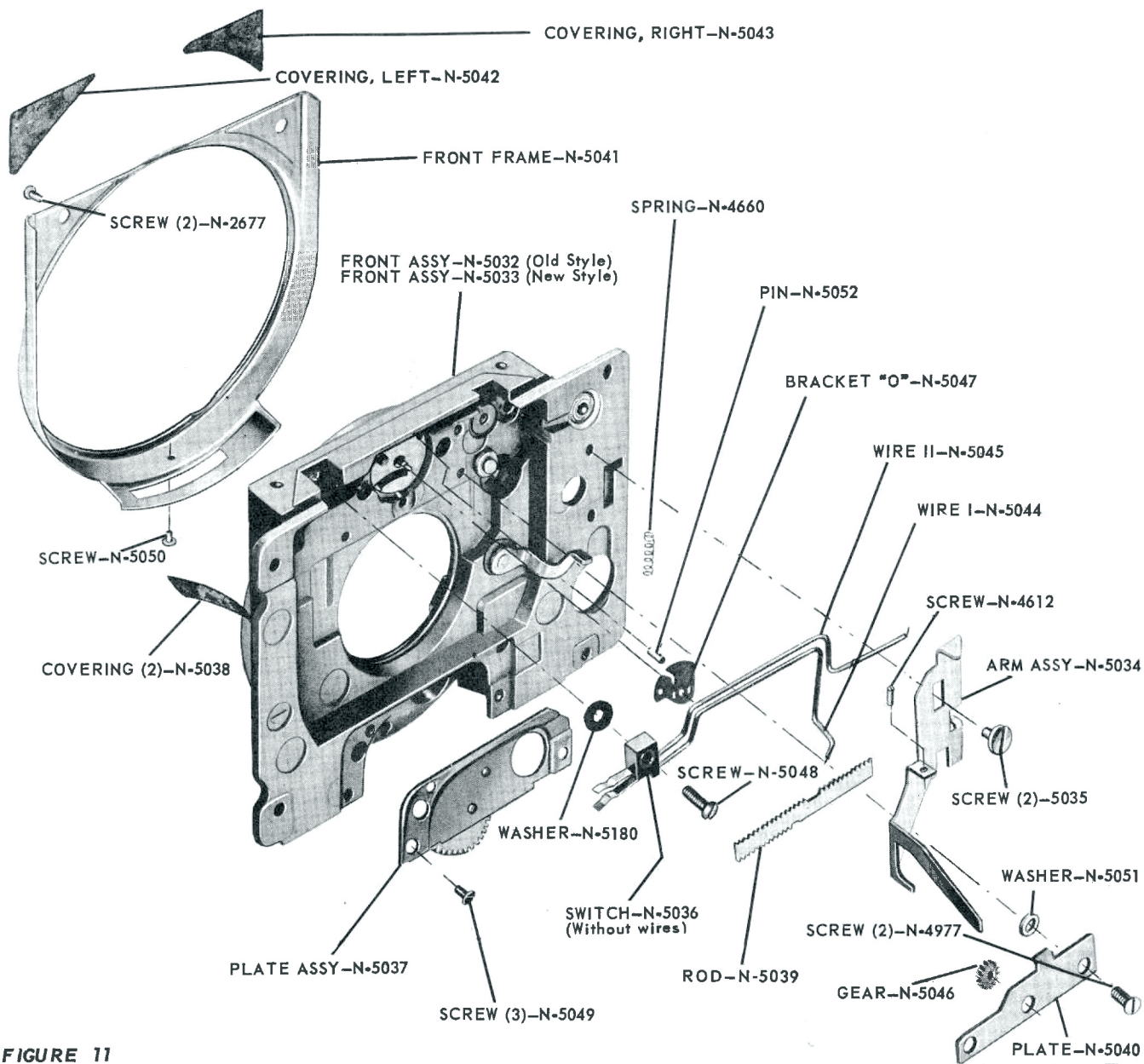


FIGURE 11

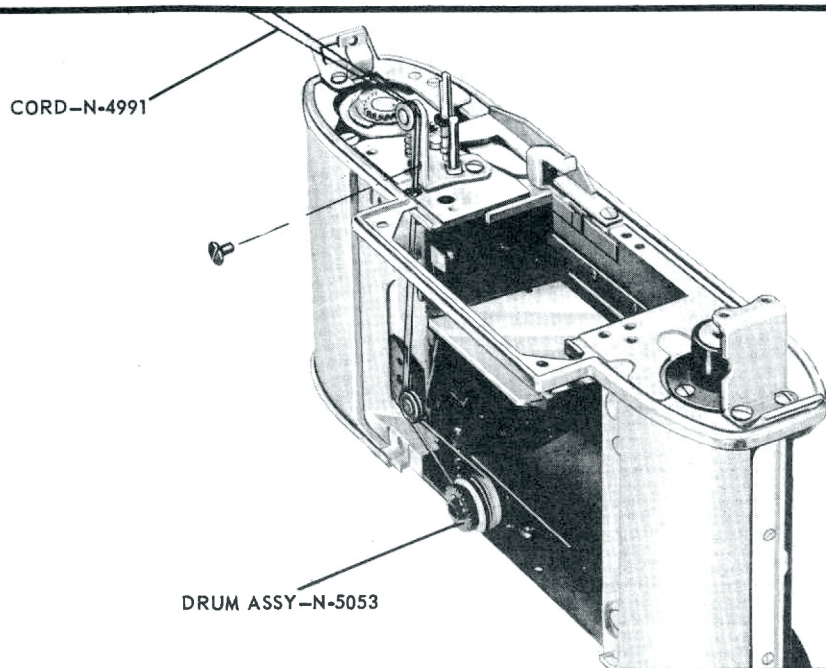
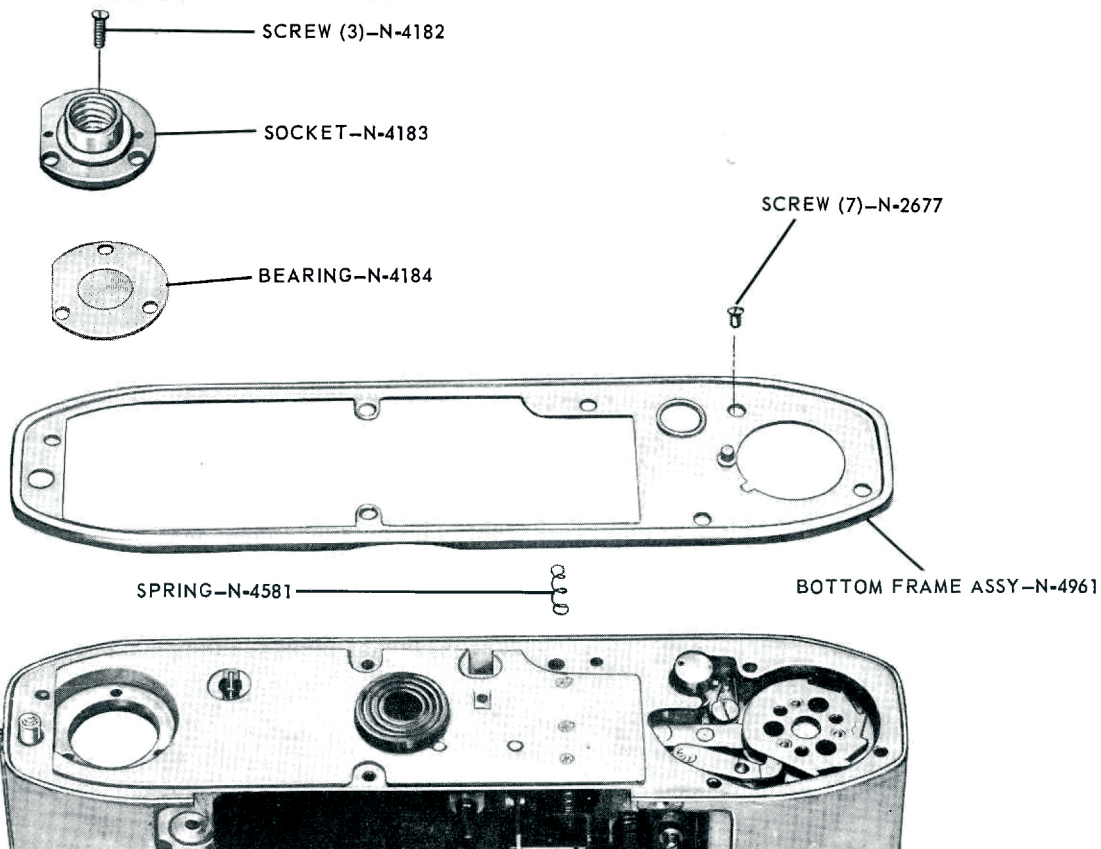
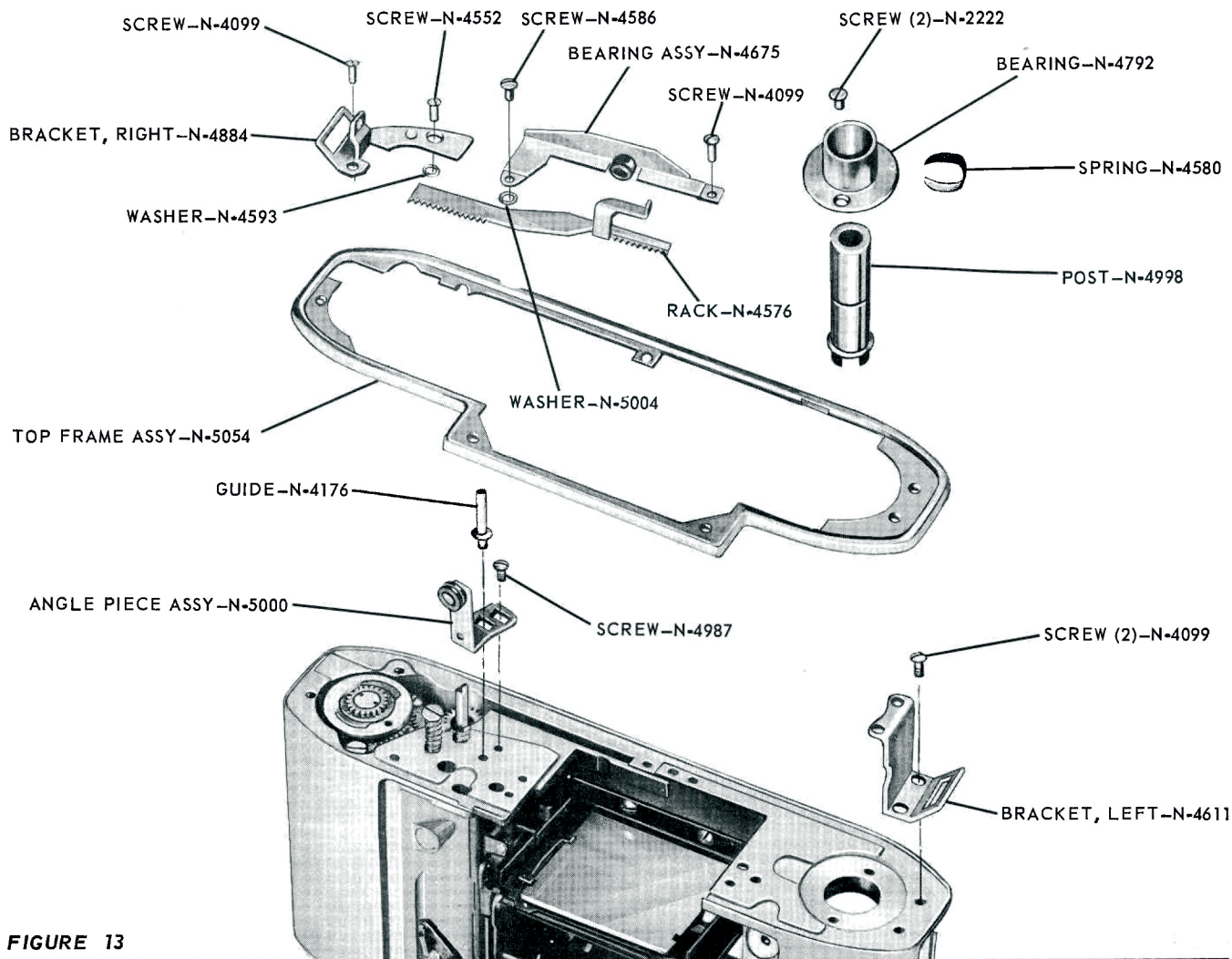


FIGURE 12

Always give PART NUMBER and NAME when ordering parts

KODAK RETINA REFLEX S CAMERA PARTS LIST



Always give PART NUMBER and NAME when ordering parts

KODAK RETINA REFLEX S CAMERA PARTS LIST

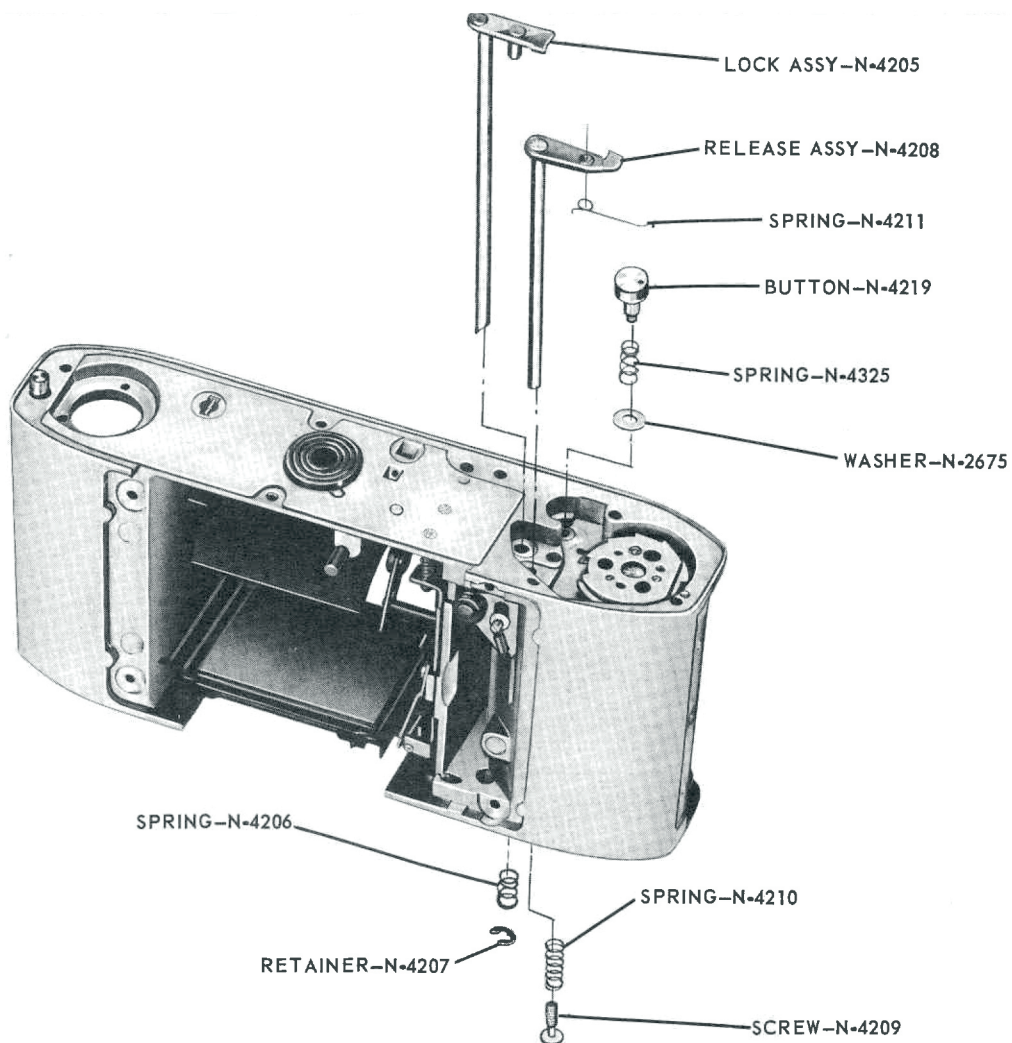
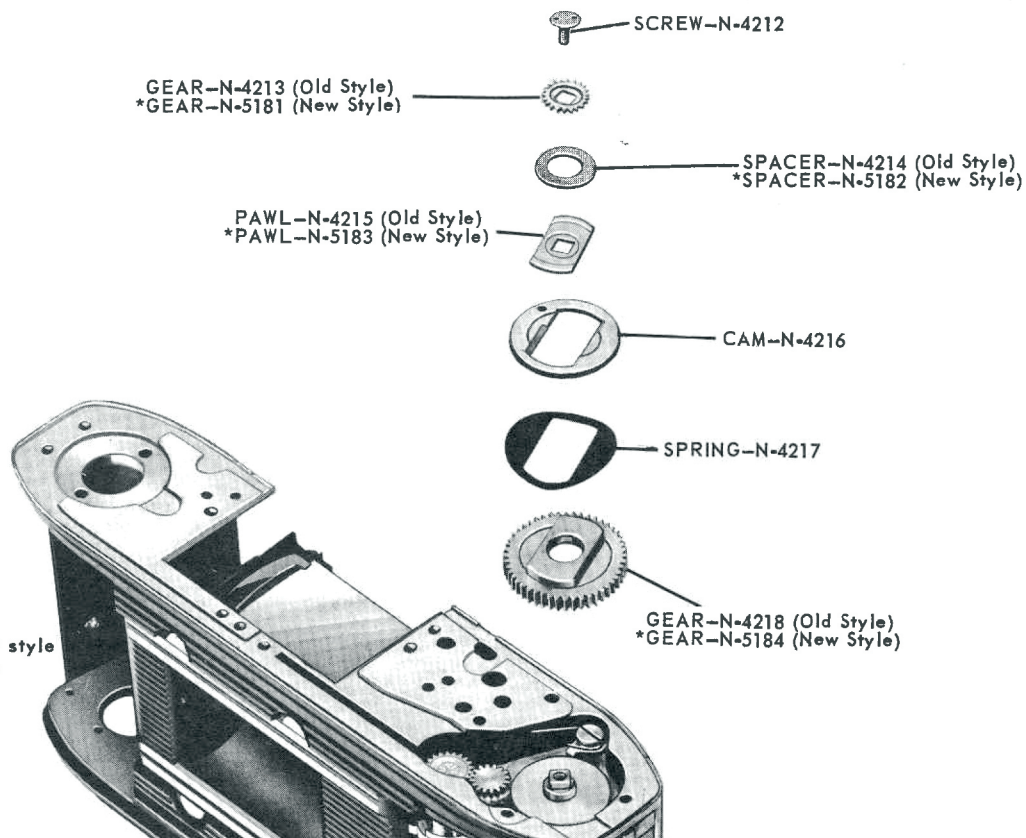


FIGURE 15



*These parts are used with the new style Shaft Assy-N-5185, see figure 17.

FIGURE 16

Always give PART NUMBER and NAME when ordering parts

KODAK RETINA REFLEX S CAMERA PARTS LIST

*See figure 16 for parts used with this assembly.

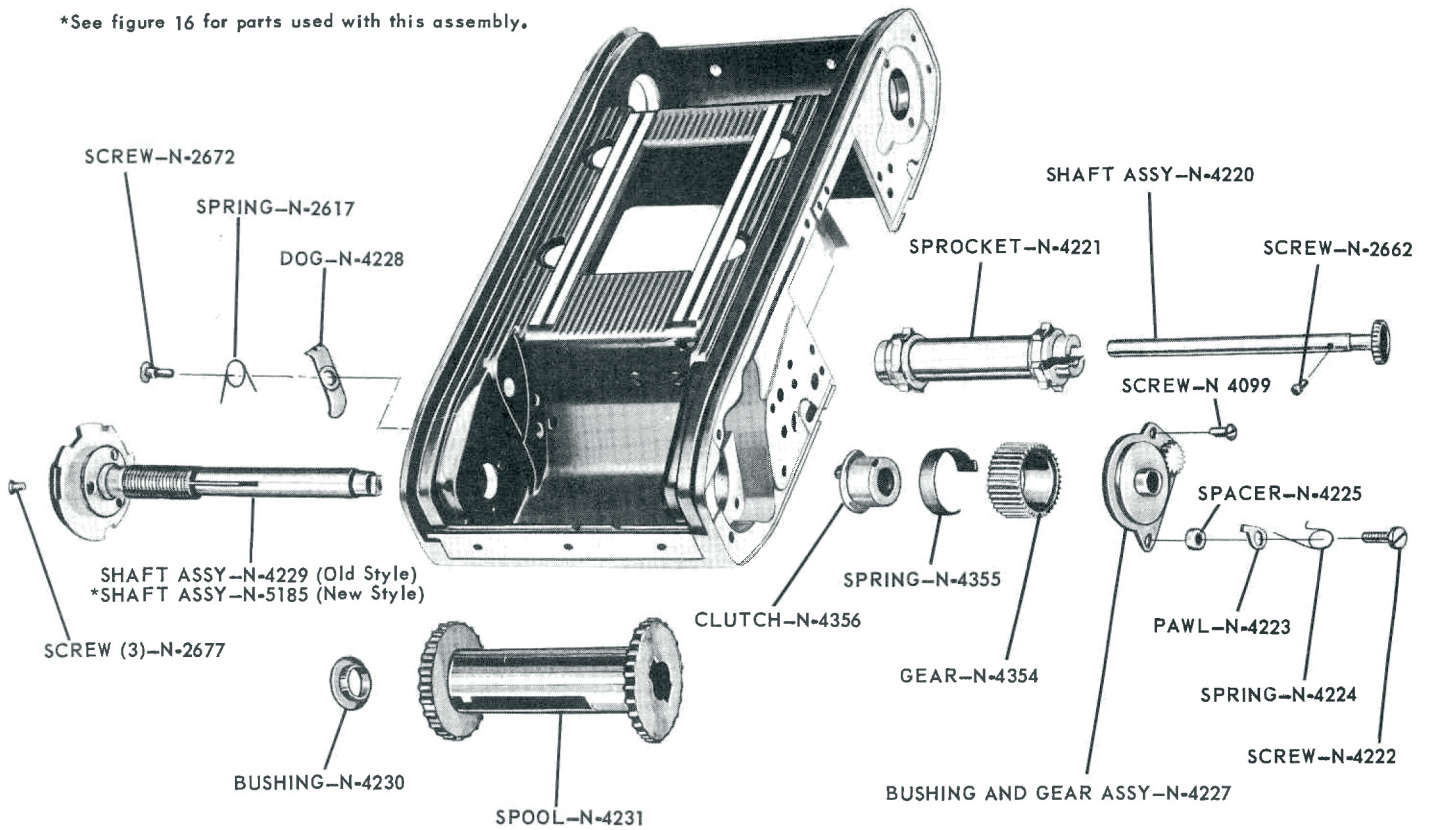


FIGURE 17

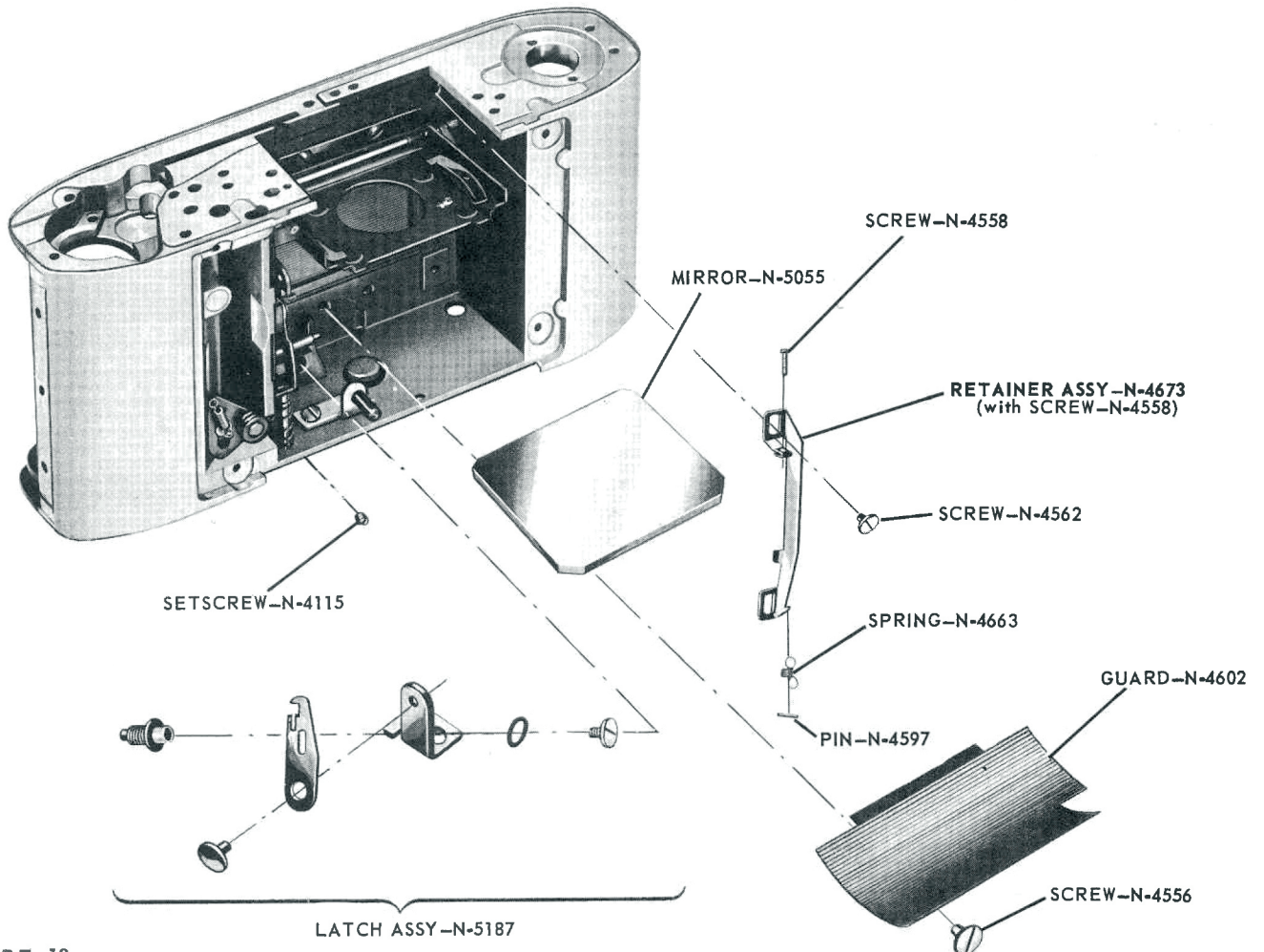


FIGURE 18

Always give PART NUMBER and NAME when ordering parts

KODAK RETINA REFLEX S CAMERA PARTS LIST

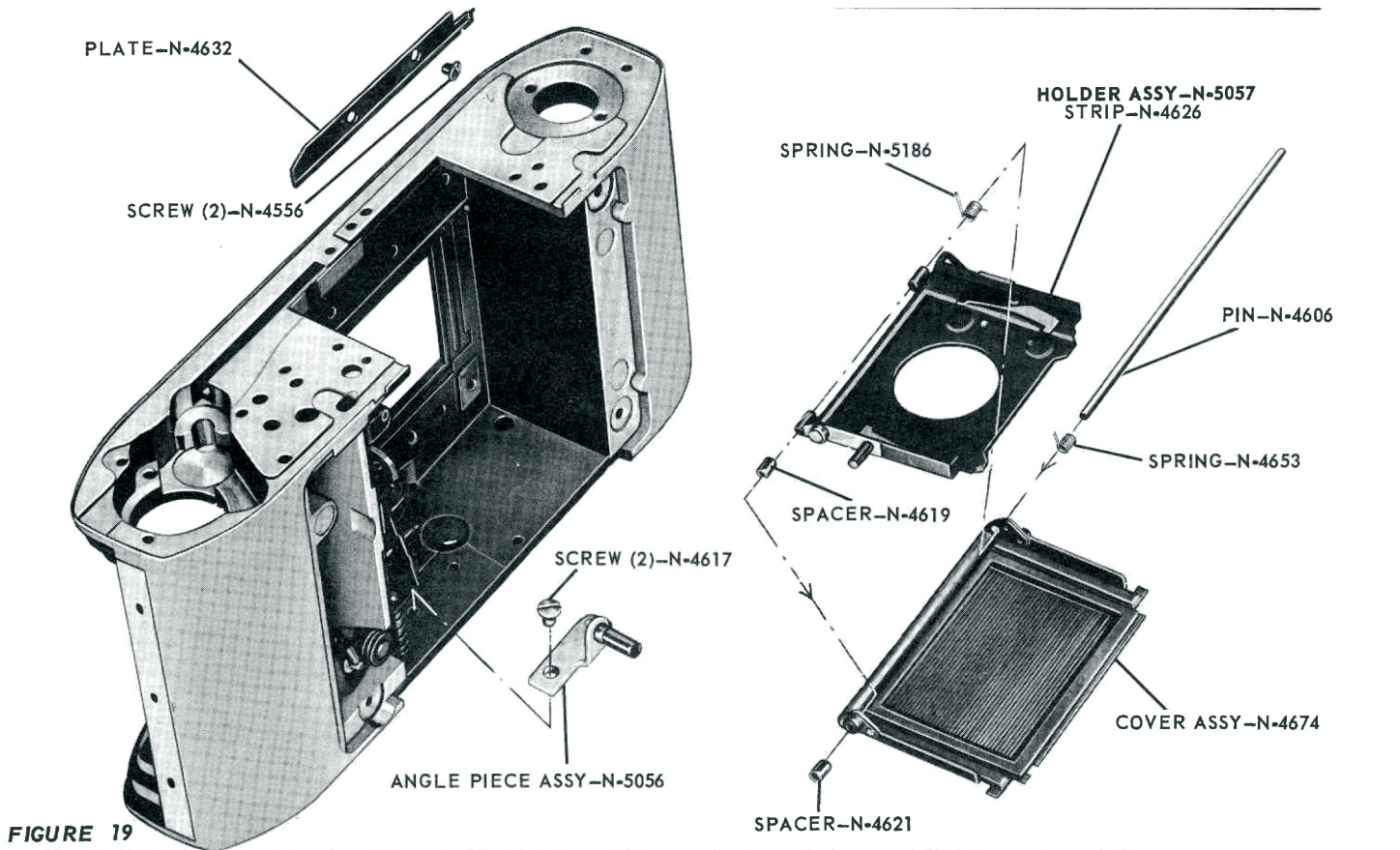


FIGURE 19

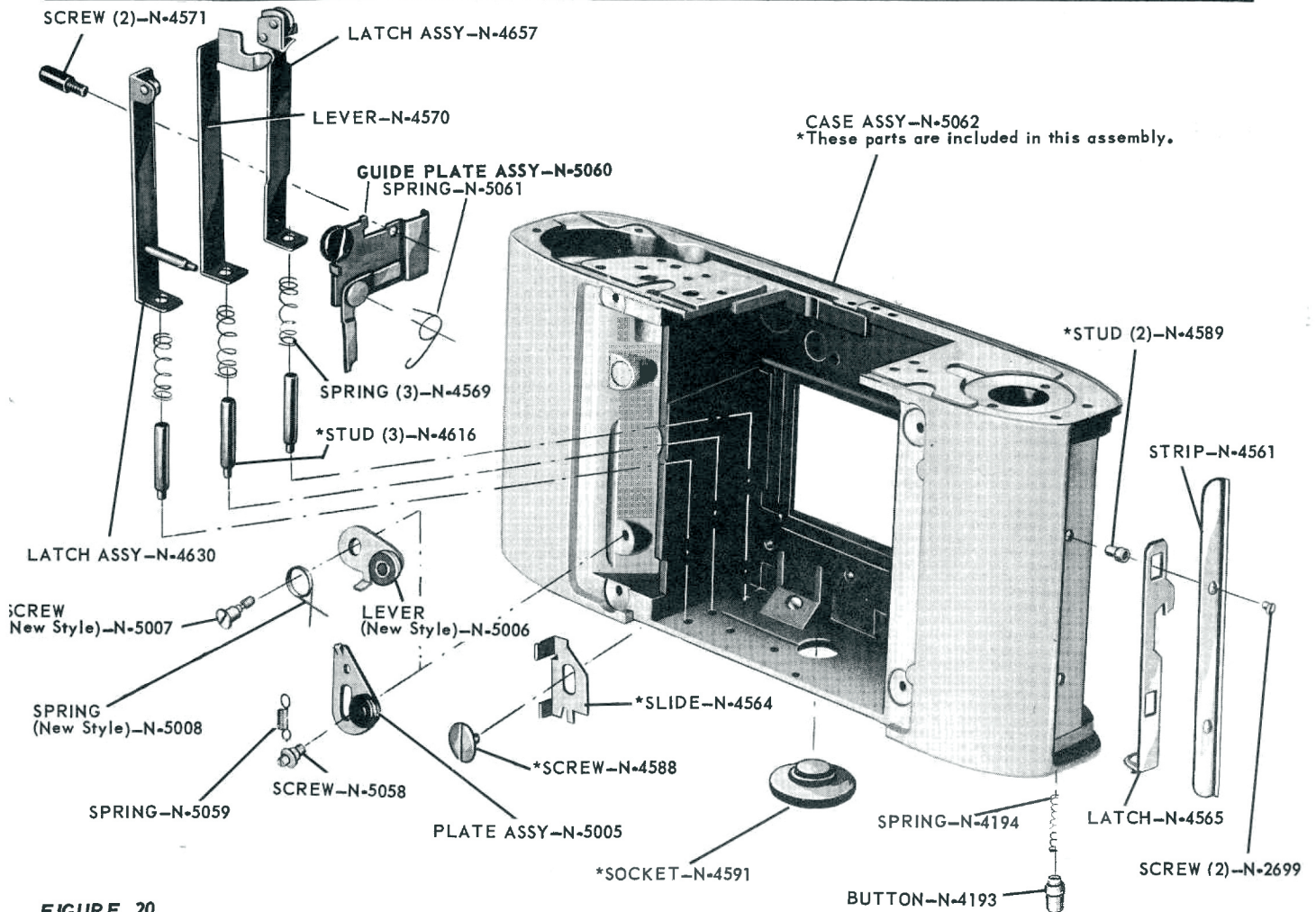


FIGURE 20

Always give PART NUMBER and NAME when ordering parts

KODAK RETINA REFLEX S CAMERA PARTS LIST

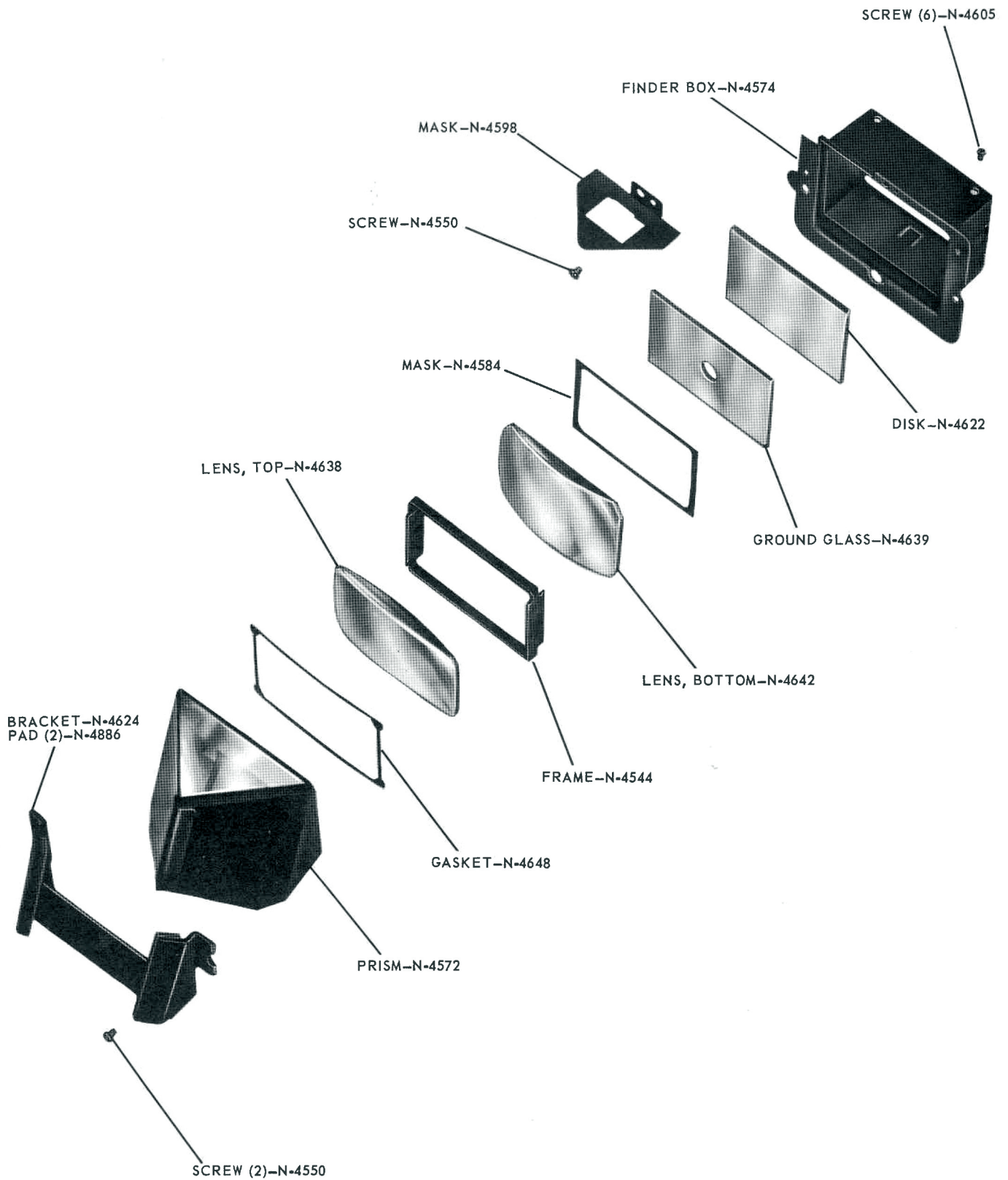


FIGURE 21

Always give PART NUMBER and NAME when ordering parts

KODAK RETINA REFLEX S CAMERA PARTS LIST

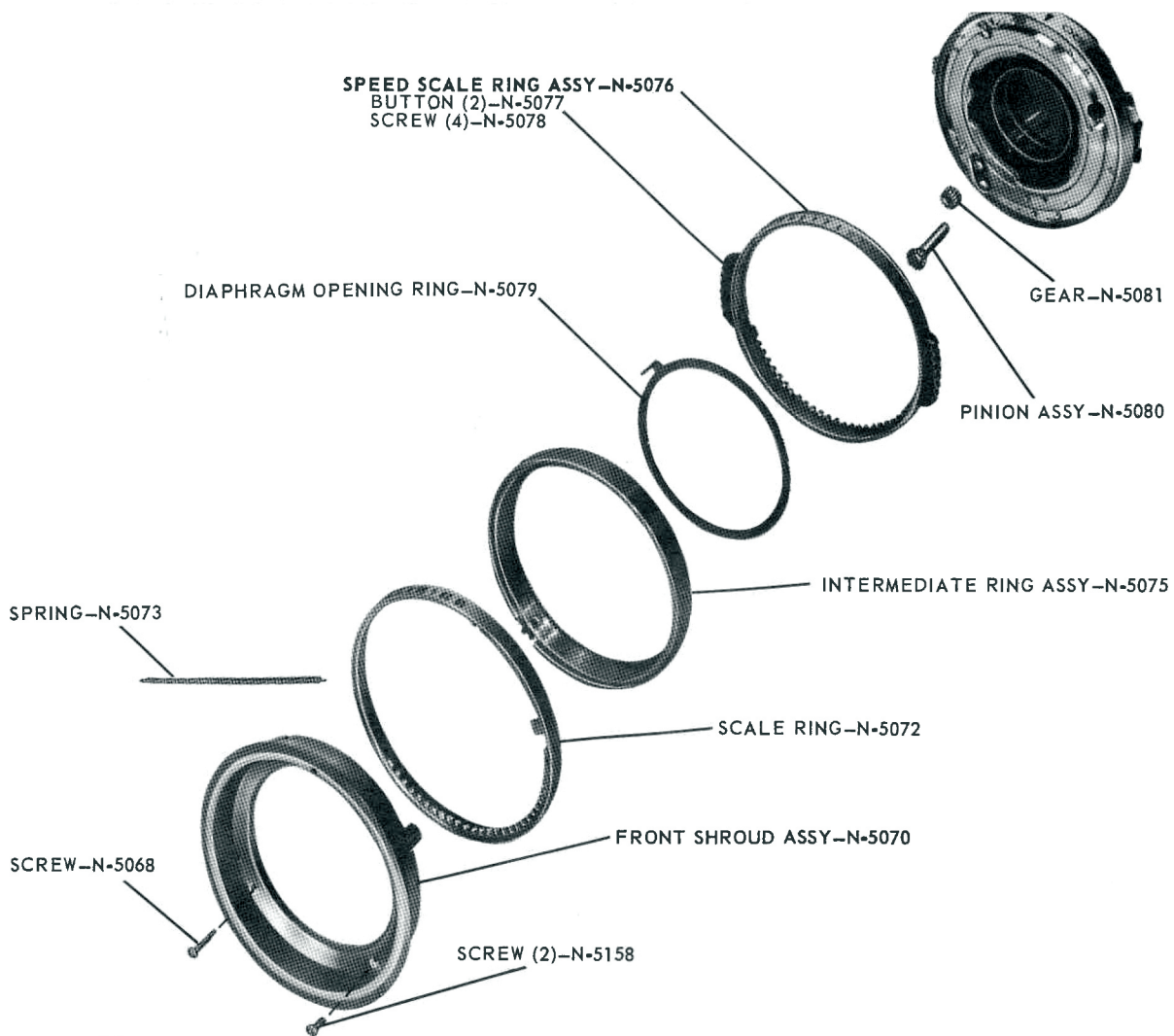


FIGURE 22

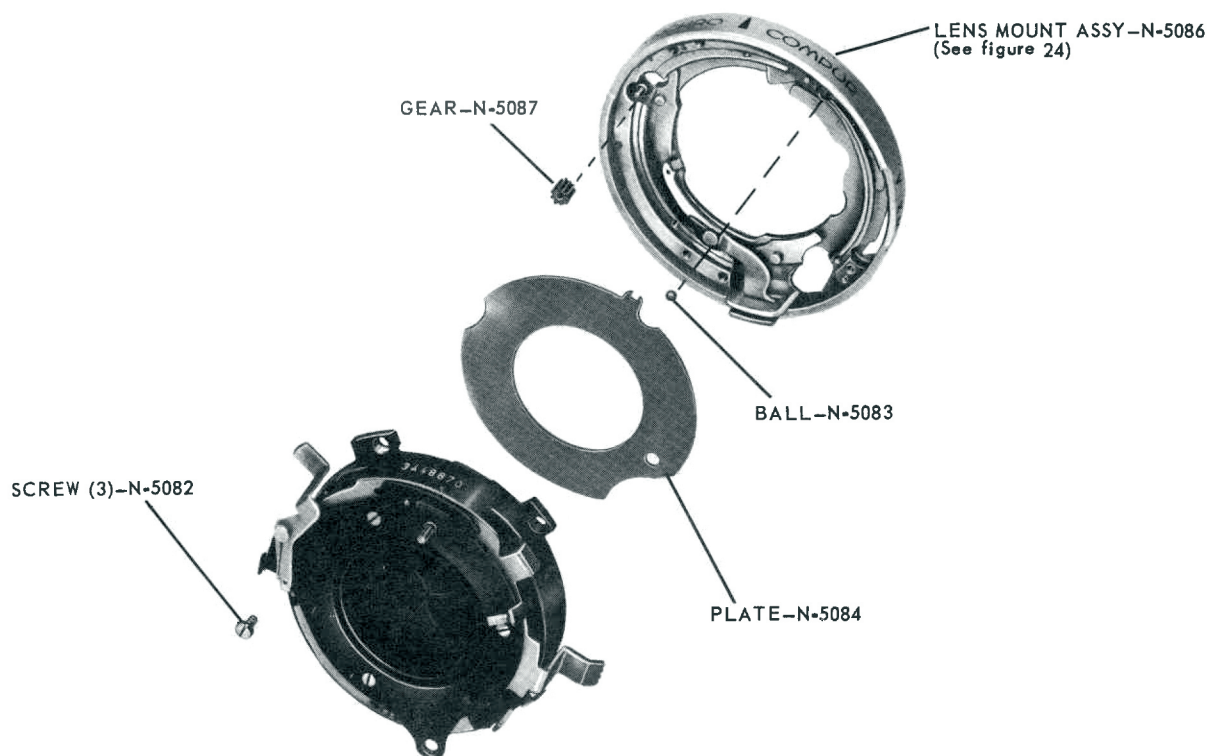


FIGURE 23

Always give PART NUMBER and NAME when ordering parts

KODAK RETINA REFLEX S CAMERA PARTS LIST

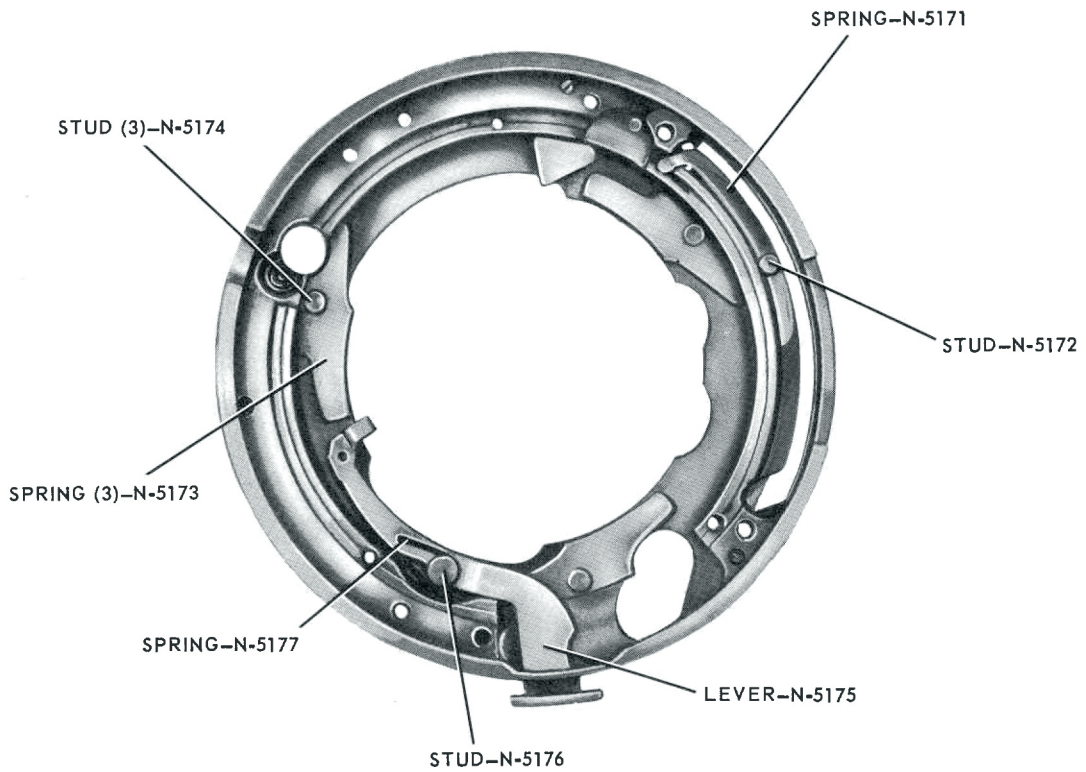


FIGURE 24

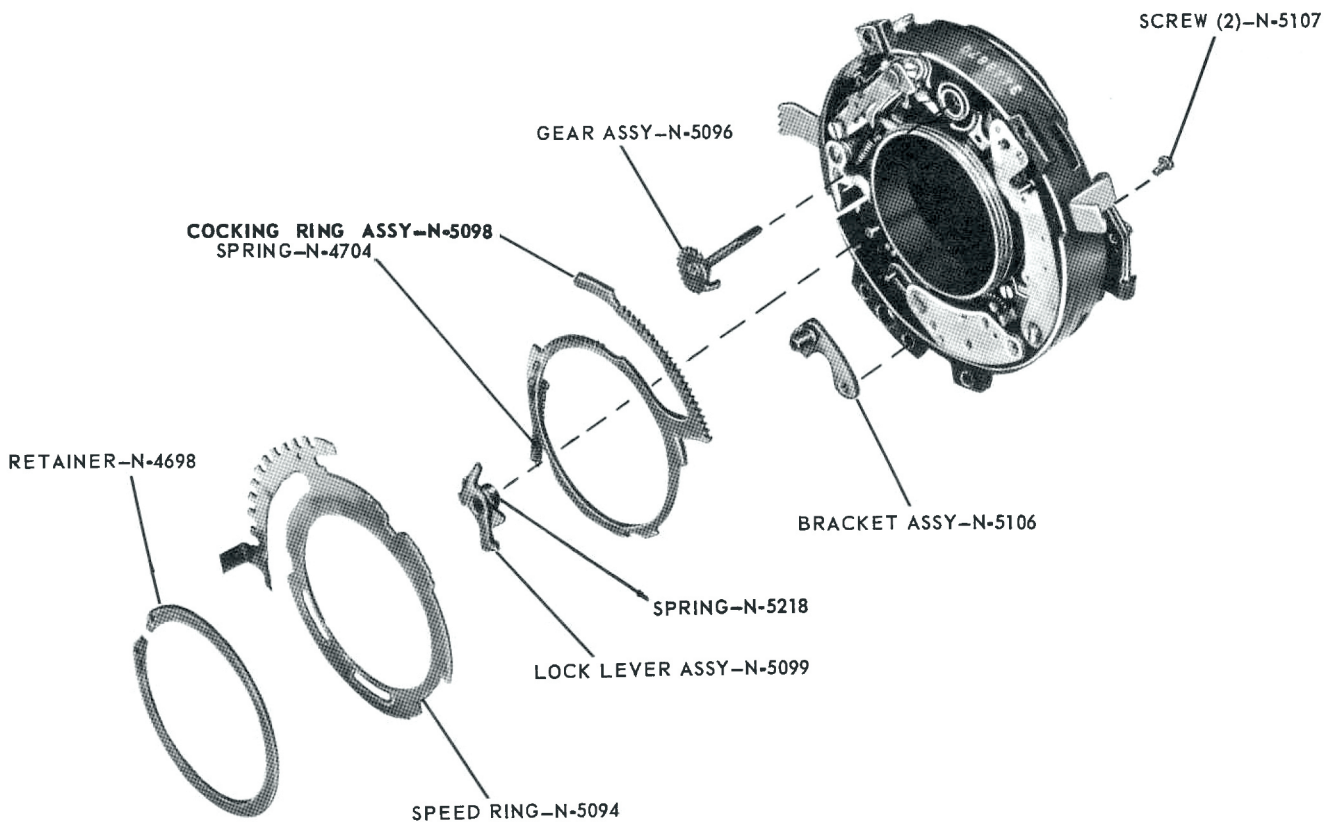


FIGURE 25

Always give PART NUMBER and NAME when ordering parts

KODAK RETINA REFLEX S CAMERA PARTS LIST

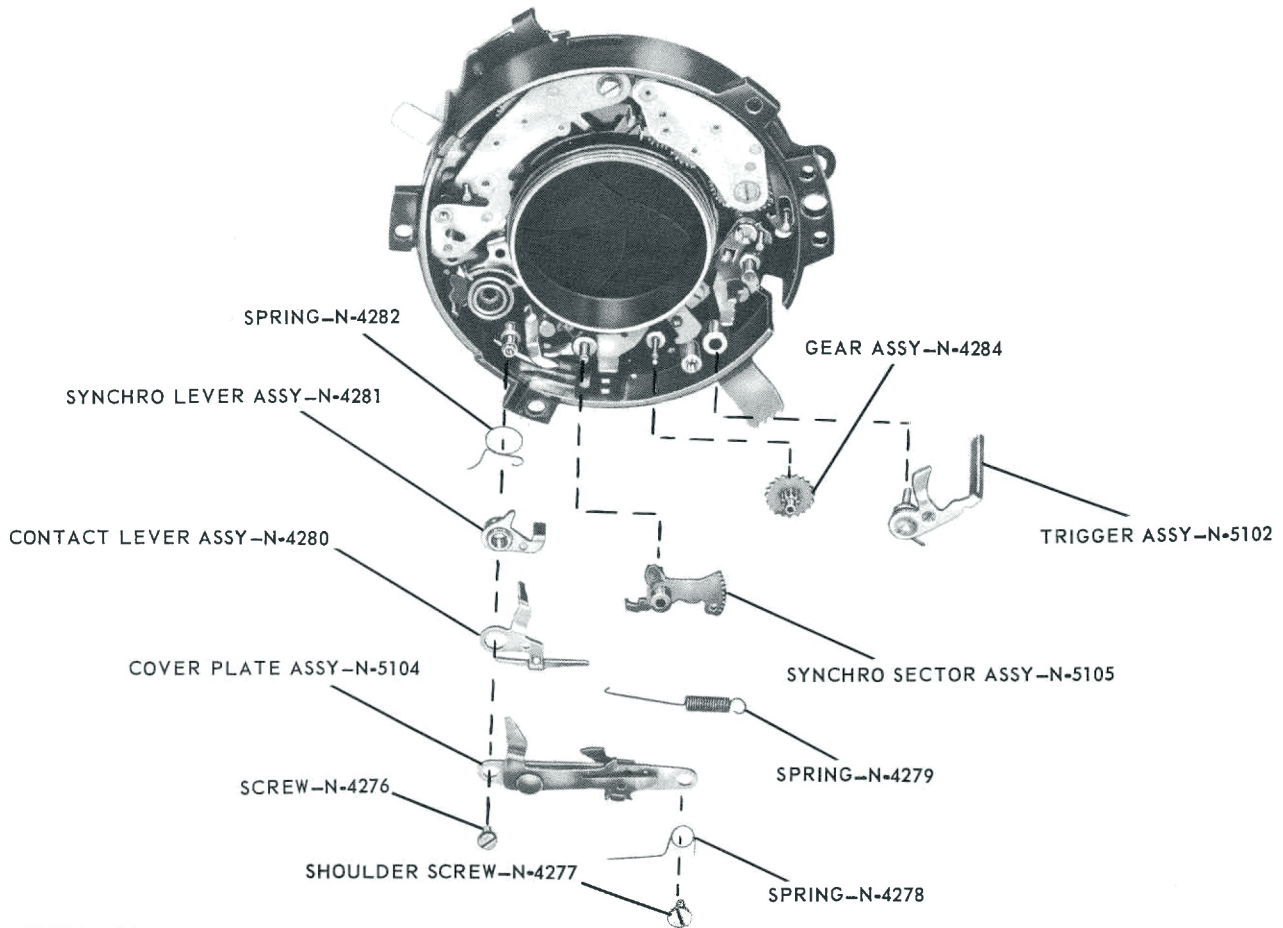


FIGURE 26

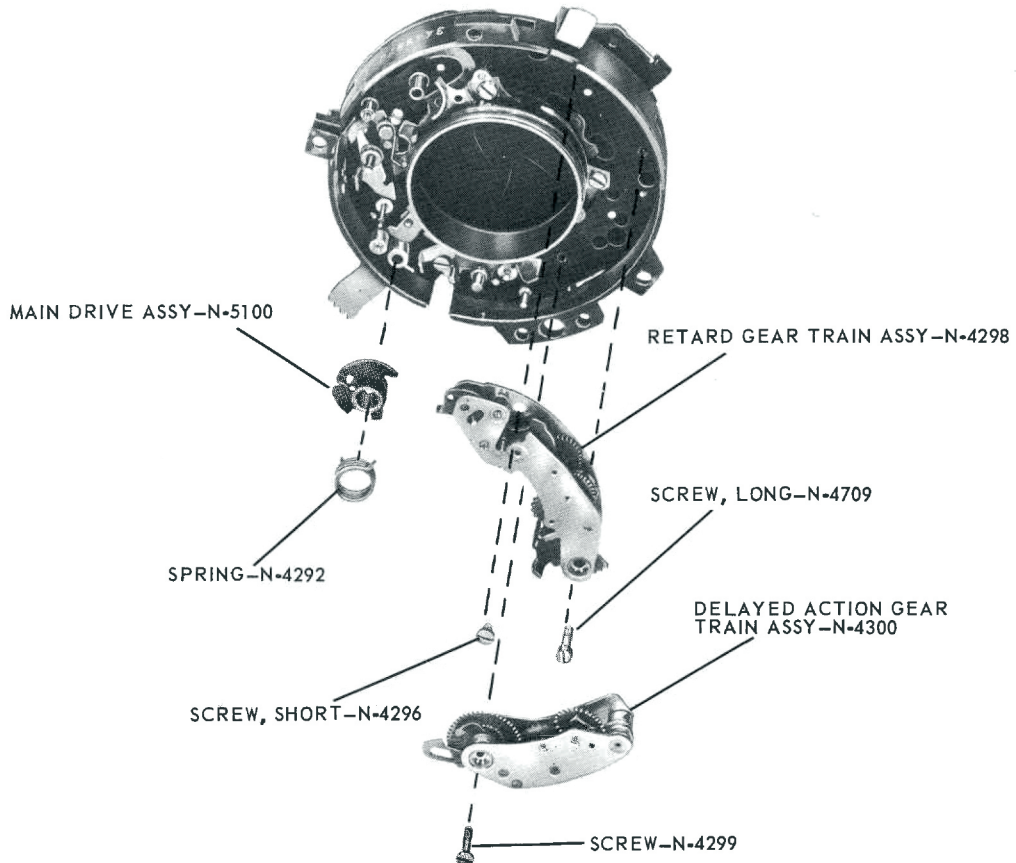


FIGURE 27

Always give PART NUMBER and NAME when ordering parts

KODAK RETINA REFLEX S CAMERA PARTS LIST

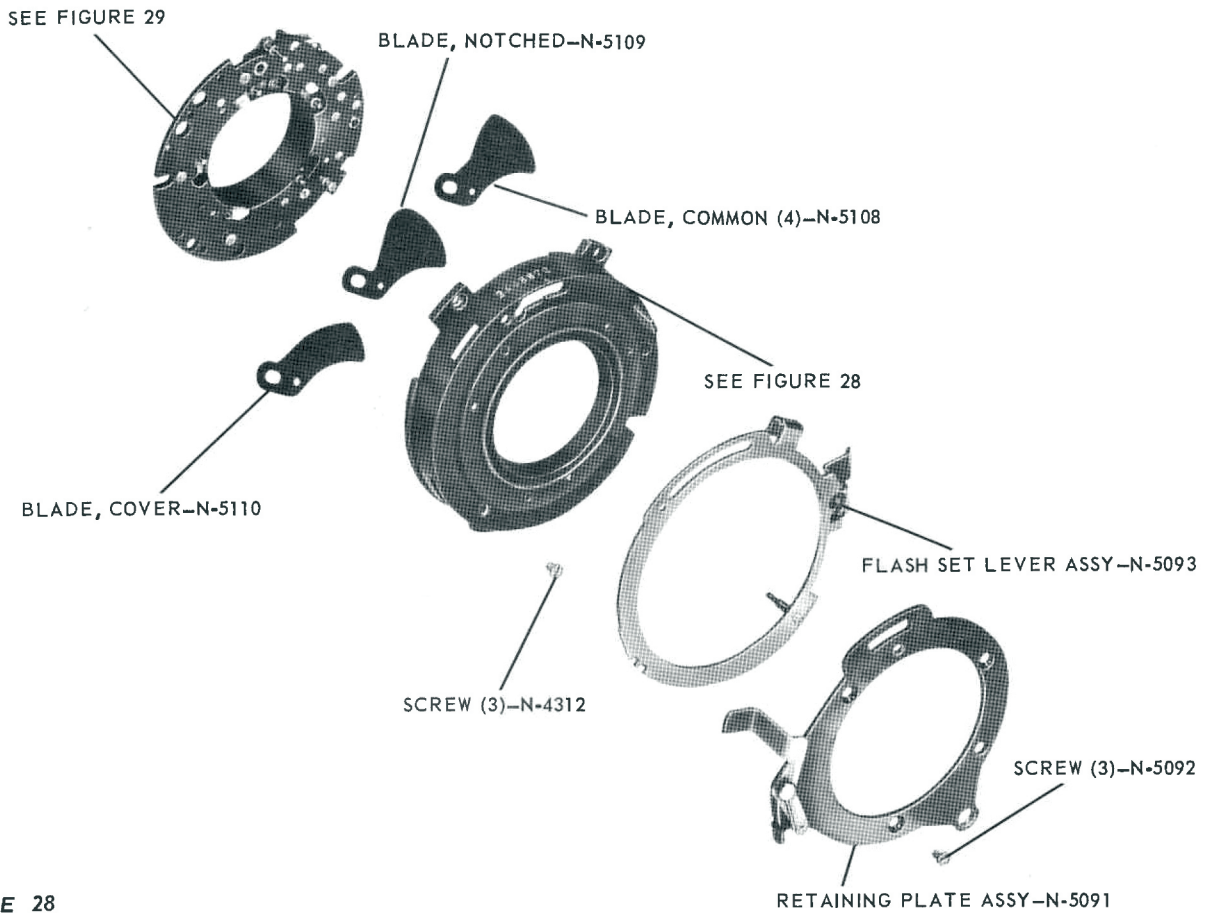


FIGURE 28

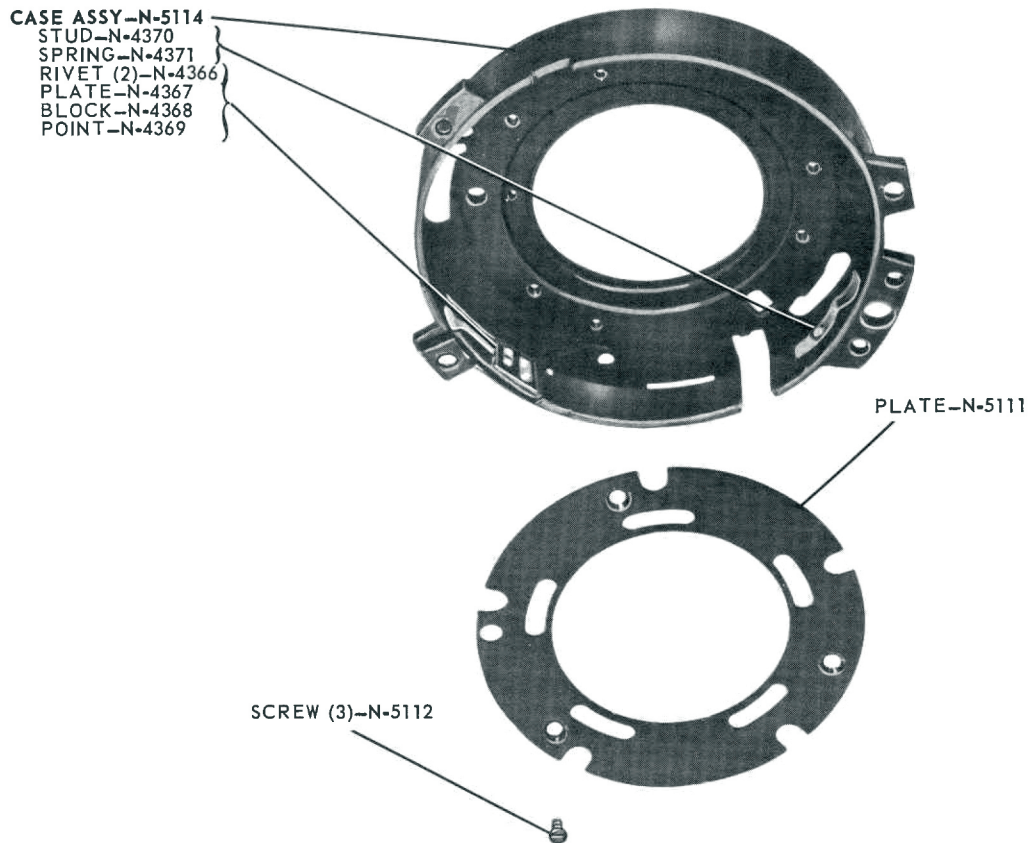


FIGURE 29

Always give PART NUMBER and NAME when ordering parts

KODAK RETINA REFLEX S CAMERA PARTS LIST

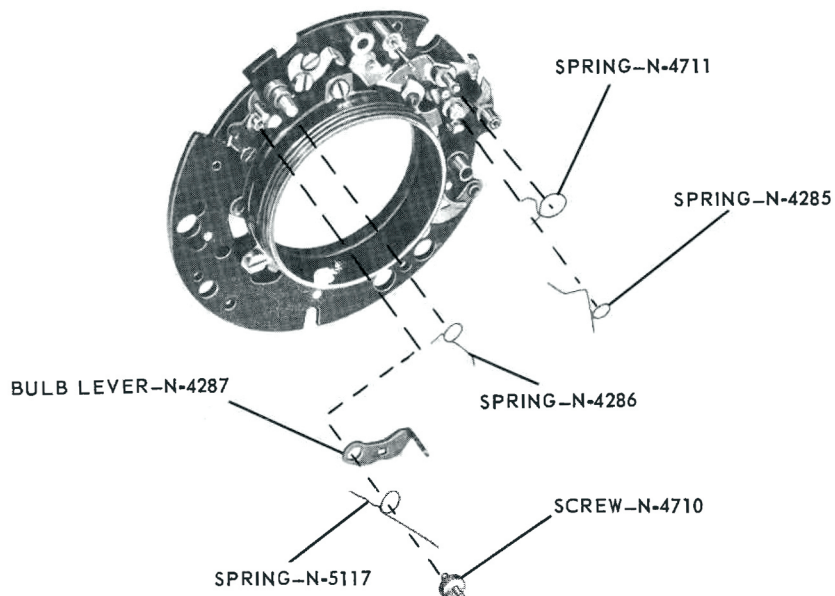


FIGURE 30

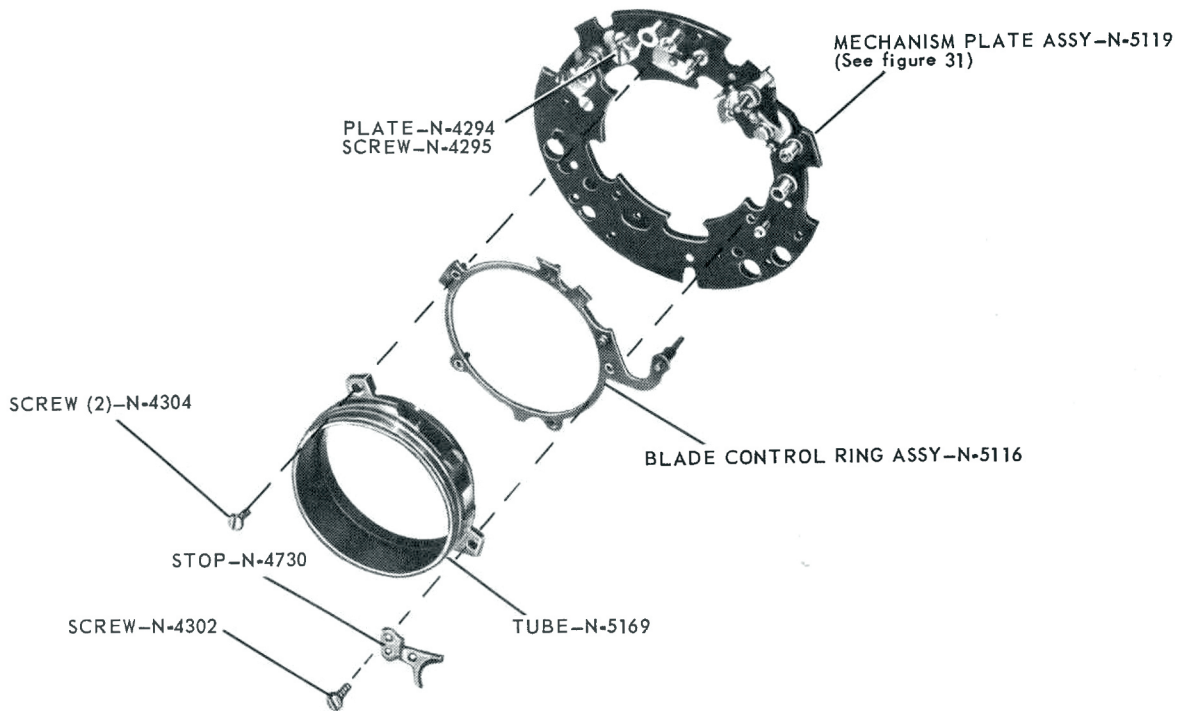


FIGURE 31

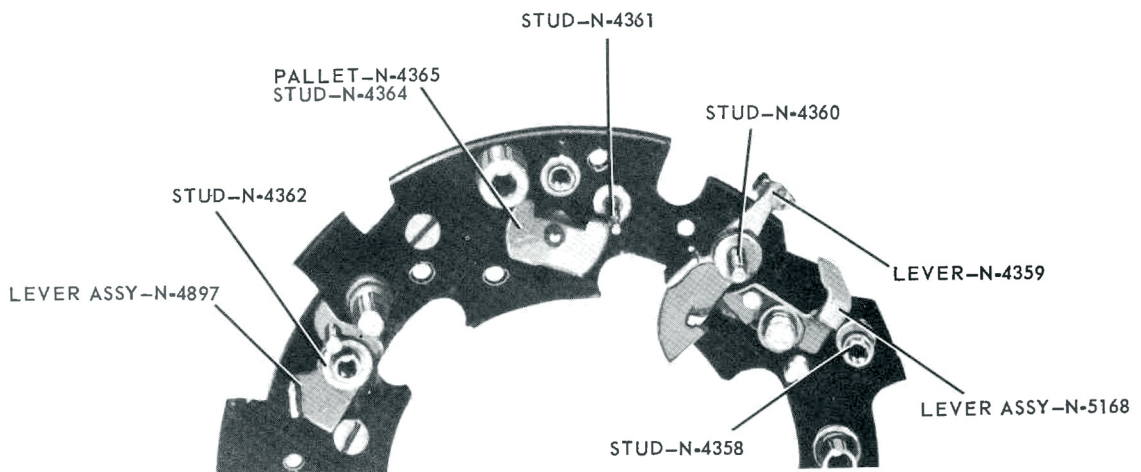


FIGURE 32

Always give PART NUMBER and NAME when ordering parts

KODAK RETINA REFLEX S CAMERA PARTS LIST

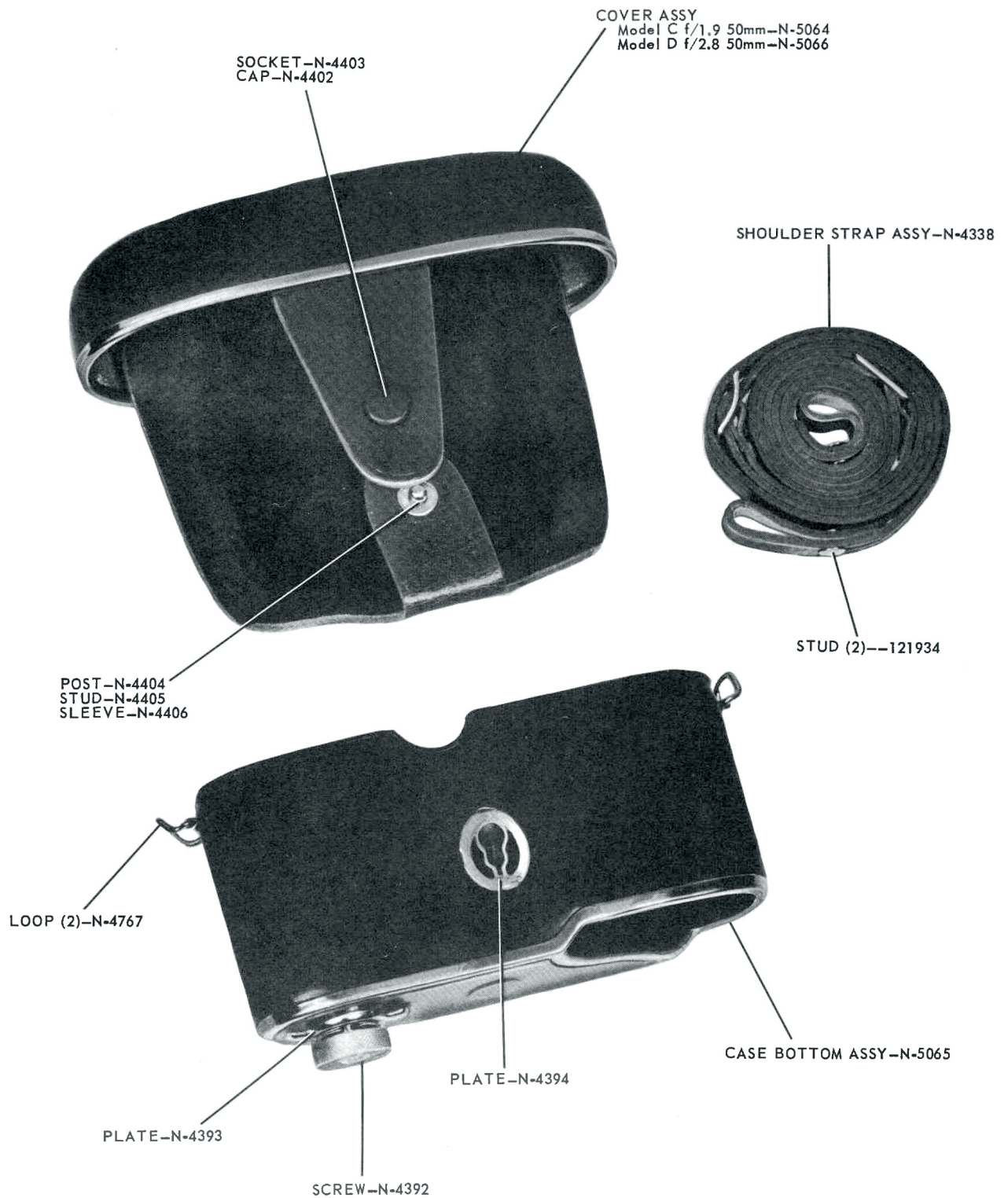


FIGURE 33. KODAK RETINA FIELD CASE, Models C and D

Always give PART NUMBER and NAME when ordering parts

KODAK RETINA REFLEX S CAMERA PARTS LIST

FIG.	PART NO.		PART NAME	REQD.
	U.S.	German		
13	N-2222	G-2467/1	Screw - Rewind post bearing	2
4	N-2423	G-2036/6	Screw - Clip	3
17	N-2617	G-016086	Spring - Rewind release dog	1
2	N-2618	G-016334/1	Film Tension Pad Assy.	1
17	N-2662	G-2533/1	Screw - Sprocket shaft	1
17	N-2672	G-016085	Screw - Rewind release dog	1
15	N-2675	G-4623/1	Washer - Rewind release button	1
1,11 14,17	N-2677	G-2507/1	Screw - Back Assy (3), Front cover plate (2), Bottom frame (7), Winding shaft assy (3)	15
20	N-2699	G-2114/1	Screw - Back latch plate	2
2	N-2717	G-016302	Spring - Tension pad	2
2	N-2722	G-1357/4	Rivet	4
1	N-2723	G-016670	Pointer - Film indicator	1
1	N-2724	G-016623	Washer - Tension.	1
4	N-4001	G-018724	Spring - Exposure counter	1
3	N-4051	G-2507/6	Screw - Finder housing to carrying strap bracket, left	2
3	N-4052	G-2538/6	Screw - Finder housing to carrying strap bracket, right	1
6	N-4063	G-025704	Button - Counter setting	1
6	N-4064	G-4048/0	Washer - Counter setting button	1
4	N-4070	G-021718	Ratchet - Counter	1
4	N-4071	G-021720	Dial - Counter	1
5	N-4072	G-021711	Spring - Counter actuating	1
5	N-4073	G-1366/1	Rivet - Counter actuating spring	1
5	N-4075	G-2544/1	Screw - Exposure counter adjusting	1
4	N-4087	G-021717	Washer - Counter ratchet tension	1
4	N-4088	G-4638/1	Washer - Counter ratchet spacing	1
4	N-4092	G-021706	Bushing - Body release	1
13,17	N-4099	G-2537/1	Screw - Roller thrust bearing assy (1), Carrying strap bracket, left (2), right (1), Bushing and gear assy (1).	5
7	N-4104	G-021624	Spring - Wind and counter release.	1
18	N-4115	G-2258/4	Setscrew - Mirror latch bracket	1
13	N-4176	G-021617	Wind and counter release guide.	1
8	N-4180	G-021612	Ring - Tripod socket, outer	1
8	N-4181	G-021611	Spring - Back latch button guard	1
14	N-4182	G-2527/1	Screw - Tripod socket.	3
14	N-4183	G-021595	Socket - Tripod	1
14	N-4184	G-021594	Bearing - Cassette	1
20	N-4193	G-021018	Button - Back latch.	1
20	N-4194	G-021013	Spring - Back latch button	1
8	N-4201	G-2526/1	Screw - Winding lever.	3
8	N-4202	G-021602/1	Lever - Winding.	1
8	N-4203	G-021605	Spacer - Wind lever	AR
15	N-4205	G-021580/1	Film Advance Lock Assy.	1
15	N-4206	G-021584	Spring - Film advance lock assy.	1
15	N-4207	G-4984/4	Retainer - Film advance lock spring	1
15	N-4208	G-021570/1	Wind Release Assy.	1
15	N-4209	G-021578	Screw - Wind release adjusting.	1
15	N-4210	G-021577	Spring - Wind release.	1
15	N-4211	G-021574	Spring - Wind release throw-out.	1
16	N-4212	G-021550	Screw - Winding shaft.	1
16	N-4213	G-021549	Gear - Winding shaft (Old style)	1
16	N-4214	G-4630/0	Spacer - Winding shaft pinion (Old style)	1
16	N-4215	G-021545	Pawl - Winding shaft (Old style)	1
16	N-4216	G-021544	Cam - Winding shaft.	1
16	N-4217	G-021543	Spring - Tension	1
16	N-4218	G-021532	Gear - Film advance drive (Old style)	1
15	N-4219	G-021564	Button - Rewind release	1
17	N-4220	G-021555/1	Sprocket Shaft Assy	1
17	N-4221	G-021560	Sprocket.	1
17	N-4222	G-021540	Screw - Drive gear pawl	1
17	N-4223	G-021538	Pawl - Drive gear	1
17	N-4224	G-021539	Spring - Drive gear pawl.	1
17	N-4225	G-021536	Spacer - Drive gear pawl.	1

Always give PART NUMBER and NAME when ordering parts

KODAK RETINA REFLEX S CAMERA PARTS LIST

FIG.	PART NO.		PART NAME	REQD.
	U.S.	German		
17	N-4227	G-021527/1	Bushing and Gear Assy	1
17	N-4228	G-021567	Dog - Rewind release	1
17	N-4229	G-021500/1	Winding Shaft Assy (Old style)	1
17	N-4230	G-021516	Bushing - Take-up spool	1
17	N-4231	G-021518/1	Take-Up Spool Assy	1
2	N-4236	G-021321/1	Back Hinge Assy	1
2	N-4238	G-021104	Catch - Back	1
2	N-4239	G-1371/1	Rivet - Film tension pad spring	3
8	N-4321	G-2528/6	Screw - Tripod socket outer ring	2
8	N-4322	G-021610	Guard - Back latch button	1
15	N-4325	G-021563	Spring - Rewind release button	1
17	N-4354	G-021524	Gear - Clutch	1
17	N-4355	G-016540	Spring - Clutch pressure	1
17	N-4356	G-021522	Clutch	1
4	N-4466	G-021721	Bearing - Release and counter	1
1	N-4512	G-023761	Sleeve - Rewind post.	1
3	N-4528	G-025753	Screw - Housing.	1
8	N-4530	G-025607	Covering - Winding lever.	1
3	N-4534	G-2509/1	Screw - Upper frame	1
7	N-4535	G-023628	Spring - Body release trip.	1
2	N-4543	G-023293	Strip - Back finishing	1
21	N-4544	G-025685	Frame - Spacing	1
2	N-4545	G-1379/1	Rivet - Hinge to back	3
2	N-4547	G-7050/1	Pin - Hinge	1
21	N-4550	G-2487/4	Screw - Bracket to lens block (2), Prism mask (1).	3
13	N-4552	G-023637	Screw - Carrying strap bracket, right	1
6	N-4554	G-025728	Mask - Eyepiece	1
10,18, 19	N-4556	G-2079/4	Screw - Leaf spring (1), Light guard retaining (2), Spring retain- ing plate (2).	5
18	N-4558	G-025033	Screw - Adjusting.	1
20	N-4561	G-023015	Plate - Back latch	1
18	N-4562	G-025035	Screw - Mirror adjusting bracket assy.	1
20	N-4564	G-025024	Lock - Slide	1
20	N-4565	G-023010	Latch - Back	1
20	N-4569	G-025130	Spring - Slide pressure.	1
20	N-4570	G-025132	Lever - Mirror actuating.	1
20	N-4571	G-025148	Screw - Mirror setting guide	2
21	N-4572	G-0187/5	Prism - Finder roof.	1
21	N-4574	G-025682	Box - Finder	1
1	N-4575	G-025290/2	Back Assy.	1
13	N-4576	G-023615	Rack - Setting	1
6	N-4577	G-025724	Mount - Eye	1
7	N-4578	G-023620/1	Wind Release Button Assy	1
13	N-4580	G-021635	Spring - Clutch pressure	1
14	N-4581	G-025030	Spring - Slide lock pressure.	1
21	N-4584	G-025695	Mask - Penta prism	1
3,13	N-4586	G-2532/1	Screw - Prism bracket (2), Roller thrust bearing assy (1).	3
3,8	N-4587	G-023350	Plate - Closing	3
20	N-4588	G-025027	Screw - Aperture cover lock	1
20	N-4589	G-023014	Stud - Back latch guide	2
20	N-4591	G-023004	Socket - Flash bracket locating.	1
13	N-4593	G-023639	Washer - Setting rack guide.	1
18	N-4597	G-025038	Pin - Mirror bracket spring anchor.	1
21	N-4598	G-025693	Mask - Prism	1
18	N-4602	G-025196	Guard - Light	1
21	N-4605	G-2585/4	Screw - Prism clamping	6
19	N-4606	G-023150	Pin - Mirror and light blocking flap.	1
8	N-4610	G-023356	Covering - Bottom	1
13	N-4611	G-023636	Bracket - Carrying strap, left	1
9,11	N-4612	G-2490/1	Screw - Control shaft adjusting (1) Body release arm assy (1)	2
2	N-4613	G-021295	Plate - Hinge reinforcing.	1
20	N-4616	G-025040	Stud - Mirror setting (1), Release guide (1) Aperture lever guide (1).	3
4,19	N-4617	G-2224/1	Screw - Accessory shoe base (4), Support angle piece assy to case (2)	6

Always give PART NUMBER and NAME when ordering parts

KODAK RETINA REFLEX S CAMERA PARTS LIST

FIG.	PART NO.		PART NAME	REQD.
	U.S.	German		
19	N-4619	G-025152	Spacer - Mirror and light blocking flap	1
19	N-4621	G-023153	Spacer - Housing and light flap.	1
21	N-4622	G-0183/0	Disk - Wedge.	1
21	N-4624	G-025690/1	Bracket - Prism mounting.	1
19	N-4626	G-025249	Strip - Mirror protective.	1
20	N-4630	G-025135/1	Mirror Release Latch Assy	1
19	N-4632	G-025158	Plate - Spring retaining.	1
21	N-4638	G-0186/0	Lens - Upper finder	1
21	N-4639	G-0184/0	Glass - Ground	1
21	N-4642	G-0185/0	Lens - Finder, bottom.	1
21	N-4648	G-025697	Gasket - Prism clamp, rubber	1
19	N-4653	G-025155	Spring - Light blocking flap	1
9	N-4655	G-025170/1	Control Shaft Assy	1
1	N-4656	G-025673	Mask - Light.	1
20	N-4657	G-025125/1	Light Blocking Flap Latch Assy	1
3	N-4658	G-025206/1	Flash Post Assy.	1
11	N-4660	G-025271	Spring - Pressure	1
2	N-4661	G-025355	Covering - Back.	1
18	N-4663	G-025037	Spring - Slide retainer tension	1
6	N-4666	G-0188/0	Lens - Eyepiece.	1
3	N-4671	G-025680/2	Viewfinder Assy.	1
18	N-4673	G-025032/1	Mirror Adjusting Bracket Assy.	1
19	N-4674	G-025100/1	Aperture Cover Assy	1
13	N-4675	G-023675/1	Bearing - Roller thrust	1
13	N-4792	G-021632	Bearing - Rewind post.	1
7	N-4855	G-025660	Stud - Housing support	1
13	N-4884	G-025638	Bracket - Carrying strap, right	1
21	N-4886	G-025691	Pad - Clamp bracket.	2
3	N-4904	G-025753	Disk.	1
1	N-4908	G-027765/1	Rewind Knob Assy	1
1	N-4909	G-027774	Screw - Rewind knob.	1
3	N-4911	G-027910/9	Scale - Distance, feet	1
3	N-4912	G-2615/0	Screw - Distance scale	2
4	N-4914	G-025710/1	Counter Advance Assy.	1
4	N-4915	G-027740	Cap - Exposure meter.	1
4	N-4916	G-0225/0	Window - Exposure meter	1
4	N-4917	G-0226/0	Disk - Plexiglass.	1
6	N-4919	G-028704	Button - Counter setting (Late model housing).	1
6	N-4920	G-028705	Sleeve - Counter setting button.	1
2	N-4921	G-021309	Roller - Film	1
7	N-4924	G-027643/2	Exposure Meter Assy	1
3	N-4925	G-027685	Knob - Exposure meter	1
3	N-4926	G-027686	Spring - Exposure Meter	1
7	N-4927	G-027927	Button - Body release	1
14	N-4961	G-027025/1	Bottom Frame Assy	1
9	N-4962	G-2610/1	Screw - Front to Case.	4
9	N-4963	G-4988/4	Washer - Spring.	8
11	N-4977	G-2027/1	Screw - Bearing plate.	2
9,13	N-4987	G-2509/1	Screw - Top frame to front frame (2), Angle piece (1).	3
12	N-4991	G-027263	Cord - Transmission	1
13	N-4998	G-026630	Post - Rewind	1
13	N-5000	G-027150/1	Angle Piece Assy.	1
13	N-5004	G-4626/1	Washer - Roller thrust bearing assy	1
20	N-5005	G-027020/1	Retaining Plate Assy.	1
20	N-5006	G-027030/1	Lever - Tensioning.	1
20	N-5007	G-027032	Screw - Tensioning lever.	1
20	N-5008	G-027033	Spring - Tensioning lever	1
3	N-5012	G-034357	Covering - Right side	1
3	N-5013	G-034358	Covering - Left side	1
3	N-5014	G-034700/2	Housing	1
4	N-5015	G-034737	Base - Accessory shoe	1
4	N-5016	G-034738	Clip.	1
7	N-5017	G-034625/1	Plunger - Body release.	1

Always give PART NUMBER and NAME when ordering parts

KODAK RETINA REFLEX S CAMERA PARTS LIST

FIG.	PART NO.		PART NAME	REQD.
	U.S.	German		
9	N-5018	G-034191/1	Cam Assy.	1
10	N-5019	G-034230	Gear	1
10	N-5020	G-034231	Bushing	1
10	N-5021	G-034232	Screw - Shutter release control lever	1
9	N-5022	G-034638	Pad - Leather	2
10	N-5023	G-034265/1	Shutter Release Control Lever Assy	1
10	N-5024	G-034270	Plate - Cover	1
10	N-5025	G-034286	Disk - Insulating	1
10	N-5026	G-034805	Shutter	1
10	N-5027	G-034942	Gear	1
10	N-5028	G-034945	Spring - Leaf.	1
10	N-5030	G-2509/4	Screw - Cover plate to front assy.	1
10	N-5031	G-2611/4	Screw - Shutter to front assy.	4
11	N-5032	G-034202/1	Front Assy (Old style).	1
11	N-5033	G-034204/1	Front Assy (New style)	1
11	N-5034	G-034208/1	Body Release Arm Assy	1
11	N-5035	G-034212	Screw - Arm assy to front assy	2
11	N-5036	G-034242/1	Switch	1
11	N-5037	G-034245/1	Setting Knob Plate Assy.	1
11	N-5038	G-034249	Covering - Front frame.	2
11	N-5039	G-034252	Rod - Toothed	1
11	N-5040	G-034263	Plate - Bearing	1
11	N-5041	G-034275	Frame - Front.	1
11	N-5042	G-034280	Covering - Front frame, left	1
11	N-5043	G-034282	Covering - Front frame, right	1
11	N-5044	G-034287	Wire I	1
11	N-5045	G-034288	Wire II.	1
11	N-5046	G-034289	Gear	1
11	N-5047	G-034928	Bracket - Control "O".	1
11	N-5048	G-2613/4	Screw - Switch.	1
11	N-5049	G-2614/4	Screw - Setting knob plate assy.	3
11	N-5050	G-2622/6	Screw - Front frame.	1
11	N-5051	G-4662/1	Washer.	2
11	N-5052	G-7159/0	Pin - Grooved	1
12	N-5053	G-034260/1	Cable Drum Assy.	1
13	N-5054	G-034028	Top Frame Assy	1
18	N-5055	G-0227/9	Mirror.	1
19	N-5056	G-034095/1	Support Angle Piece Assy	1
19	N-5057	G-034110/1	Mirror Holder Assy	1
20	N-5058	G-027023	Screw - Retaining plate	1
20	N-5059	G-027026	Spring - Tensioning	1
20	N-5060	G-034140/1	Slider Guide Plate Assy.	1
20	N-5061	G-034146	Spring - Lock catch	1
20	N-5062	G-034002/2	Case Assy.	1
7	N-5157	G-027680	Dial - Film speed.	1
7	N-5166	G-027682	Cover - Film speed dial	1
4	N-5167	G-027740/1	Film Speed Window Cap Assy.	1
7	N-5170	G-027668	Spring - Film speed dial tension.	1
9	N-5179	G-2623/1	Screw - Control shaft adjusting (New style).	1
11	N-5180	G-4053/0	Washer - Switch mounting	1
16	N-5181	G-034549	Gear - Winding shaft (New style).	1
16	N-5182	G-4663/0	Spacer - Winding shaft pinion (New style).	1
16	N-5183	G-035545	Pawl - Winding shaft (New style).	1
16	N-5184	G-034532	Gear - Film advance drive (New style).	1
17	N-5185	G-034500/1	Winding Shaft Assy (New style).	1
19	N-5186	G-034157	Spring - Mirror	1
18	N-5187	G-025161/1	Mirror Latch Assy.	1
1	120012		Buckle - Shoulder strap.	2
1	136827		Shoulder Strap Assy	1

Always give PART NUMBER and NAME when ordering parts

SYNCHRO COMPUR SHUTTER FOR THE KODAK RETINA REFLEX S

FIG.	PART NO.	PART NAME	REQD.
26	N-4276	Screw - Synchro cover plate.	1
26	N-4277	Screw - Synchro cover plate, shoulder	1
26	N-4278	Spring - Main drive lock	1
26	N-4279	Spring - Synchro gear	1
26	N-4280	Contact Lever Assy	1
26	N-4281	Synchro Lever Assy	1
26	N-4282	Spring - Synchro lever	1
26	N-4284	Synchro Gear Assy	1
30	N-4285	Spring - Blade operating check	1
30	N-4286	Spring - Synchro lock	1
30	N-4287	Lever - Bulb	1
27	N-4292	Spring - Main drive	1
31	N-4294	Plate - Synchro gear spring anchor	1
31	N-4295	Screw - Synchro gear spring anchor plate	1
27	N-4296	Screw - Retard gear train, short	1
27	N-4298	Retard Gear Train Assy	1
27	N-4299	Screw - Delayed action gear train	1
27	N-4300	Delayed Action Gear Train Assy	1
31	N-4302	Screw - Main drive stop	1
31	N-4304	Screw - Shutter tube retaining	2
28	N-4312	Screw - Case to mechanism plate	1
32	N-4358	Stud - Synchro lock lever	1
32	N-4359	Lever - Synchro	1
32	N-4360	Stud - Synchro lever	1
32	N-4361	Stud - Synchro gear	1
32	N-4362	Stud - Time release lever	1
32	N-4364	Stud - Pallet	1
32	N-4365	Pallet	1
29	N-4366	Rivet - Contact plate	2
29	N-4367	Plate - Contact block retaining	1
29	N-4368	Block - Contact	1
29	N-4369	Point - Contact	1
29	N-4370	Stud - Synchro selector tension spring	1
29	N-4371	Spring - Synchro selector tension	1
25	N-4698	Retainer - Speed ring	1
25	N-4704	Spring - Cocking ring	1
27	N-4709	Screw - Retard gear train, long	1
30	N-4710	Screw - Bulb lever	1
30	N-4711	Spring - Bulb lever	1
31	N-4730	Stop - Main drive gear	1
32	N-4897	Lever - Time release	1
22	N-5068	Screw - Front shroud retainer, long	1
22	N-5070	Front Shroud Assy	1
22	N-5072	Ring - Diaphragm scale	1
22	N-5073	Spring - Diaphragm scale ring	1
22	N-5075	Intermediate Brass Ring Assy	1
22	N-5076	Speed Scale Ring Assy	1
22	N-5077	Button - Speed scale ring	2
22	N-5078	Screw - Speed scale ring button	4
22	N-5079	Ring - Lens diaphragm opening	1
22	N-5080	Coupler Shaft and Pinion Assy	1
22	N-5081	Gear - Coupler shaft idler	1
23	N-5082	Screw - Shutter to lens mount	3
23	N-5083	Ball - Speed scale ring	1
23	N-5084	Plate - Dust cover	1
23	N-5086	Lens Mount Assy	1
23	N-5087	Gear - Lens diaphragm ring idler	1
28	N-5091	Flash Ring Retaining Plate Assy	1
28	N-5092	Screw - Flash ring retaining plate	3
28	N-5093	Lever - Flash set	1
25	N-5094	Ring - Speed	1

Always give PART NUMBER and NAME when ordering parts

SYNCHRO COMPUR SHUTTER FOR THE KODAK RETINA REFLEX S

FIG.	PART NO.	PART NAME	REQD.
25	N-5096	Cocking Ring Gear Assy	1
25	N-5098	Cocking Ring and Spring Assy.	1
25	N-5099	Lock Lever Assy	1
27	N-5100	Main Drive Assy	1
26	N-5102	Trigger Assy.	1
26	N-5104	Synchro Cover Plate Assy	1
26	N-5105	Synchro Sector Assy.	1
25	N-5106	Coupler Shaft Idler Gear Bearing Bracket Assy.	1
25	N-5107	Screw - Coupler idler gear bracket.	2
28	N-5108	Blade - Shutter, common.	4
28	N-5109	Blade - Shutter, notched	1
28	N-5110	Blade - Shutter, cover.	1
29	N-5111	Plate - Case filler	1
29	N-5112	Screw - Case filler plate.	3
29	N-5114	Shutter Case Assy	1
31	N-5116	Ring - Blade control.	1
30	N-5117	Spring - Self timer.	1
31	N-5119	Mechanism Plate Assy	1
22	N-5158	Screw - Front shroud retainer	2
32	N-5168	Synchro Lock Lever Assy	1
31	N-5169	Tube - Shutter	1
24	N-5171	Spring - Detent ball.	1
24	N-5172	Stud - Detent ball spring	1
24	N-5173	Spring - Lens mount tension.	3
24	N-5174	Stud - Lens mount tension spring	3
24	N-5175	Lever - Lens lock	1
24	N-5176	Stud - Lens lock lever.	1
24	N-5177	Spring - Lens lock lever	1
25	N-5218	Spring - Cocking ring lock lever.	1

KODAK RETINA FIELD CASE MODELS C AND D

33	N-4338	Shoulder Strap Assy	1
33	N-4392	Screw - Camera retaining	1
33	N-4393	Plate - Camera retaining screw	1
33	N-4394	Plate - Snap button stud catch.	1
33	N-4402	Cap - Snap button.	1
33	N-4403	Socket - Snap button cap	1
33	N-4404	Post - Snap button	1
33	N-4405	Stud - Snap button post	1
33	N-4406	Sleeve - Snap button post sleeve	1
33	N-4767	Loop - Strap	2
33	N-5064	Field Case Cover Assy (Model C, f/1.9-50mm)	1
33	N-5065	Field Case Bottom Assy	1
33	N-5066	Field Case Cover Assy (Model D, f/2.8-50mm)	1
33	121934	Stud - Shoulder strap	2

Always give PART NUMBER and NAME when ordering parts

EASTMAN KODAK COMPANY • ROCHESTER 4, NEW YORK

NOVEMBER 1959

NO. 935



SERVICE INSTRUCTIONS RETINA REFLEX S CAMERA

1. GENERAL INFORMATION

1.1 INTRODUCTION

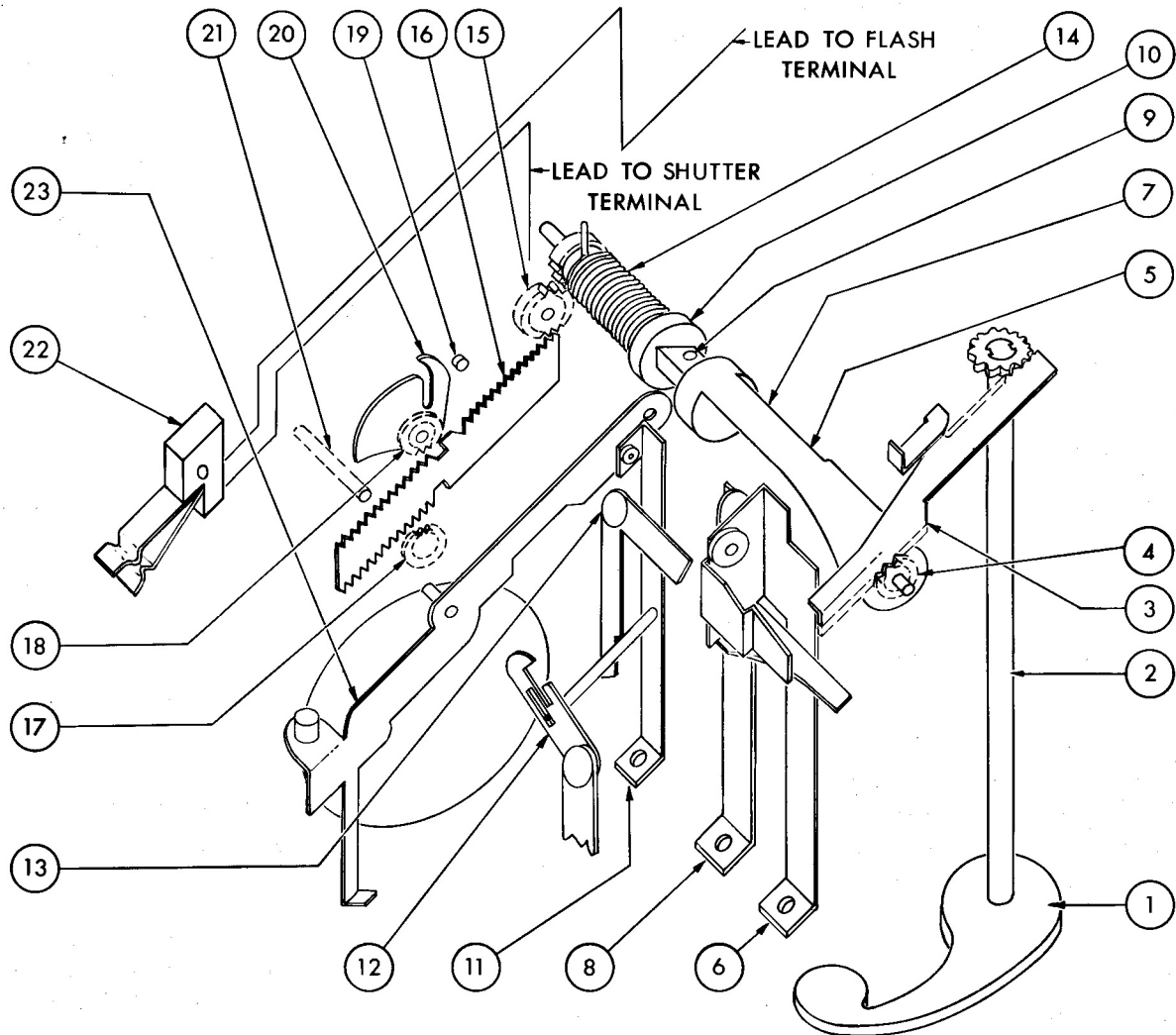
It is presupposed that servicemen familiar with the previous RETINA REFLEX, RETINA III C and III S CAMERAS will be required to service this model. Therefore only those service problems which are peculiar to this model will be covered in this manual. Basically this will cover the shutter operation and a few other conditions. It should be understood that the Exposure Meter and its Linkage and the Film Wind Mechanism are identical with that used in the RETINA III S and are covered completely in the Service Manual No. 913.

The shutter setting and release mechanisms have been completely re-designed to accommodate a slightly different shutter. The large setting ring of the RETINA REFLEX has been eliminated and in its place is a rack connecting the new spring-loaded front section of the transfer shaft to the shutter.

The discussions on the sequence of action (1.3 and 1.4) when the film advance lever or exposure release button is actuated may be helpful when service problems are encountered.

SERVICE INSTRUCTIONS RETINA REFLEX S CAMERA

1.2 SCHEMATIC OF SETTING MECHANISM



- | | |
|---|---|
| 1 FILM ADVANCE LEVER | 13 LATCH LEVER FOR MIRROR RELEASE LEVER
(ATTACHED TO LEVER RETAINER PLATE) |
| 2 WINDING SHAFT AND PINION | 14 FRONT TRANSFER SHAFT AND SPRING |
| 3 SETTING RACK | 15 IDLER PINION |
| 4 REAR TRANSFER SHAFT | 16 SHUTTER OPENING AND SETTING RACK |
| 5 APERTURE COVER CAM | 17 SHUTTER SETTING PINION |
| 6 APERTURE COVER ACTUATING LEVER | 18 SHUTTER OPENING CONTROL DISC PINION |
| 7 MIRROR ACTUATING CAM | 19 SHUTTER BLADE OPENING CONTROL DISC
STOP STUD |
| 8 MIRROR ACTUATING LEVER | 20 SHUTTER BLADE OPENING CONTROL DISC |
| 9 ADJUSTING SCREW - SHUTTER OPENING
AND LATCHING | 21 SHUTTER BLADE CONTROL PICK-UP PIN
(PART OF SHUTTER) |
| 10 MIRROR RELEASE LEVER CAM | 22 FLASH CIRCUIT SWITCH |
| 11 MIRROR RELEASE LEVER | 23 SHUTTER RELEASE CONTROL ASSEMBLY |
| 12 MIRROR LATCH ASSEMBLY | |

SERVICE INSTRUCTIONS RETINA REFLEX S CAMERA

1. GENERAL INFORMATION (Continued)

1.3 SEQUENCE OF ACTION - FILM ADVANCE LEVER

When the film advance lever is actuated, the aperture cover, the mirror and the shutter are controlled in sequence by the cams, pinions and rack connected to the two-section transfer shaft as follows:

- a) In the first half actuation of the LEVER (1) the APERTURE COVER is closed by the REAR CAM (5) of the REAR TRANSFER SHAFT (4) depressing the APERTURE ACTUATING LEVER (6); this also depresses the SAFETY LATCH at the lower right. At the same time the spring-loaded FRONT TRANSFER SHAFT (14) draws the RACK (16) toward the right and allows the SHUTTER RELEASE CONTROL LEVER (23) to release the FLASH CIRCUIT SWITCH (22) to break the continuity to the FLASH TERMINAL. This action of the RACK (16) rotates the SHUTTER OPENING CONTROL DISC (20) into a position where the shutter blades are opened during the balance of the lever actuation.
- b) In the second half of the lever actuation the MIRROR BRACKET is brought down by the FRONT CAM (7) of the REAR TRANSFER SHAFT (4) depressing the MIRROR ACTUATING LEVER (8). The movement of the MIRROR BRACKET down into the latching position releases the APERTURE COVER LATCH on the left side and retains the cover in the closed position. Meanwhile the LATCH LEVER (13) holds the MIRROR RELEASE LEVER (11) in a depressed position (so as to clear the mirror bracket) until the rotation of the CAM (10) reaches the drop off point for the MIRROR RELEASE LEVER (11). At the instant the MIRROR BRACKET reaches the latching position the STUD on the right side depresses the LATCH LEVER (13) which then releases the MIRROR RELEASE LEVER (11) and allows the MIRROR LATCH (12) to engage the MIRROR BRACKET.

During this action the RACK (16) continues to rotate the SHUTTER OPENING CONTROL DISC (20) which is engaged with the SHUTTER BLADE CONTROL RING (in shutter proper) by the SHAFT (21) and opens the shutter blades. At the same time the shutter mechanism is set, which in turn locks the FRONT TRANSFER SHAFT (14).

- c) On the return stroke of the FILM ADVANCE LEVER (1) only the REAR TRANSFER SHAFT (4) rotates. This releases both the MIRROR ACTUATING LEVER (8) and APERTURE ACTUATING LEVER (6) which in turn releases the APERTURE COVER SAFETY LATCH, thus locking the APERTURE COVER at both lower corners to complete the setting cycle.

1.4 SEQUENCE OF ACTION - EXPOSURE RELEASE BUTTON

The sequential action of the mechanism when the exposure release is depressed is as follows:

- a) Actuation of the exposure release button releases the film advance mechanism and actuates the BODY RELEASE ARM, which depresses the APERTURE COVER SAFETY LATCH and at the same time contacts the SHUTTER RELEASE and unlocks the shutter.
- b) At the instant the shutter is unlocked, the spring-loaded FRONT TRANSFER SHAFT (14) rotates and drives the RACK (16) which then actuates the SHUTTER OPENING DISC (20) to close the shutter blades. Further action of the RACK (16) is then temporarily blocked by the STUD on the SHUTTER RELEASE CONTROL LEVER (23). At the same time the CAM (10) on the FRONT TRANSFER SHAFT (14) depresses the MIRROR RELEASE LEVER (11), which releases the MIRROR BRACKET.
- c) The MIRROR BRACKET in moving up releases first the LATCH LEVER (13), which then engages the MIRROR RELEASE LEVER (11) and holds the MIRROR LATCH (12) down in readiness for latching the mirror bracket on the next actuation of advance lever. The MIRROR BRACKET then release the APERTURE COVER which in turn strikes the SHUTTER RELEASE CONTROL LEVER (23), which then closes the FLASH CIRCUIT SWITCH (22) and releases the RACK (16). At this instant the spring-loaded FRONT TRANSFER SHAFT (14) drives the RACK (16) toward the left to rotate the SHUTTER SETTING RING (in the shutter proper) to cam off the trigger and release the shutter for the exposure.

SERVICE INSTRUCTIONS RETINA REFLEX S CAMERA

1. GENERAL INFORMATION (Continued)

1.5 SHUTTER

This shutter mechanism has been modified in a number of ways which make it different from the mechanism used in the Retina Reflex Camera:

- a) Shutter setting mechanism
- b) Mechanism for opening and closing the shutter blades for viewing.
- c) Coupling mechanism for opening lens diaphragm for viewing.
- d) Addition of a flash circuit switch to break continuity to flash terminal when shutter blades are open for viewing.
- e) Shutter repairs, other than lens diaphragm opening control or faulty operation of the speed or diaphragm rings, will require removal of the complete front mount.

Shutter design and operation after the viewing cycle is similar to the shutter on the Retina III S.

It is recommended that the basic setting of "B" and f/1.9 as used on the Retina III S be made before disassembly and reassembly of the front mount or meter assembly.

2. DISSASSEMBLY AND REASSEMBLY

2.1 DIAPHRAGM AND SPEED SCALE

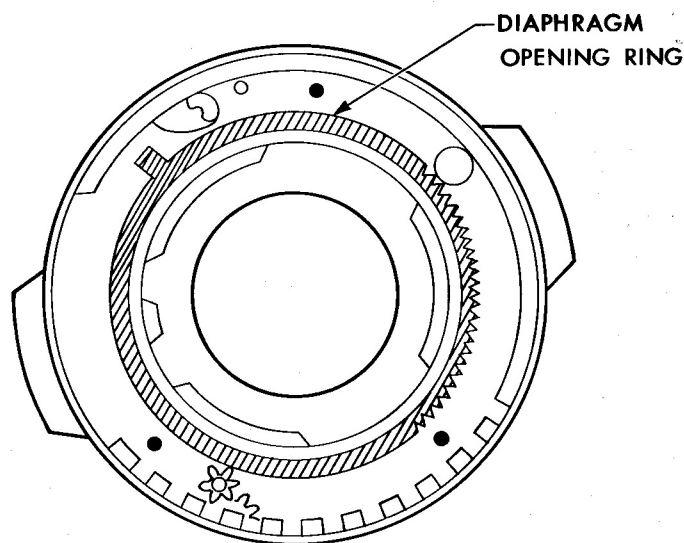
Disassembly

Remove three screws (one long, two short) and separate the diaphragm ring assembly from the lens seat.

NOTE: To separate this assembly, first remove the brass ring by rotating it until the clearance slot is in alignment with the coupler pinion. The remaining parts are coupled in the same way as in the Retina III S.

Reassembly

- a) Replace speed ring.
- b) Position the diaphragm opening ring as shown in the following figure:



SERVICE INSTRUCTIONS RETINA REFLEX S CAMERA

2. D I S A S S E M B L Y A N D R E A S S E M B L Y (Continued)

- c) Replace the retainer, diaphragm scale and brass ring assembly, engaging the coupler pinion with the diaphragm ring so that the lug protrudes through the retainer at the top of slot.
- d) Replace the three screws, fitting the long one adjacent to the meter control pinion shaft.

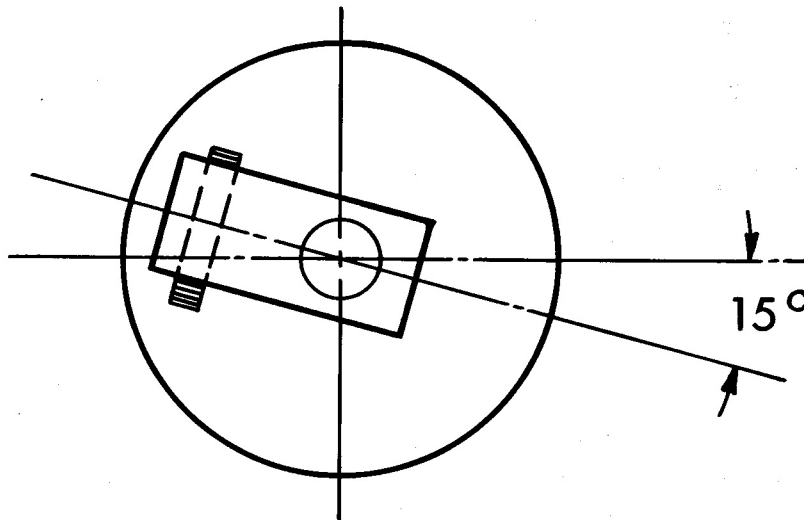
2.2 SHUTTER (COMPLETE WITH FRONT MOUNT) FROM CASE

Disassembly

Disassembly of the shutter and front mount is similar to the method recommended in the Service Manual #913 for the Retina III S. However in addition to the parts normally removed (front, covering, bottom panel and related parts) the top housing and pentaprism should be removed.

Reassembly

- a) The rear transfer shaft assembly should be engaged with the setting rack so that the end view of shaft is as shown in the following figure:



- b) Replace spacing washers (concave surfaces toward each other).
- c) Position the front transfer shaft assembly on rear shaft and wind up the spring one revolution, retaining it during installation of front.
- d) Replace front mount, engaging pinion shaft with meter actuating drum, and engage the spring on side of casting. Fit long screw to retain washers.
- e) Depress mirror and aperture cover to allow front to drop into position and engage transfer shaft with idler gear.
- f) Check operation with winding lever; if correct, replace long screws with originals and draw front down until the distance between lens seat and film plane is $1.874'' \pm .001''$.

SERVICE INSTRUCTIONS RETINA REFLEX S CAMERA

2. DISASSEMBLY AND REASSEMBLY (Continued)

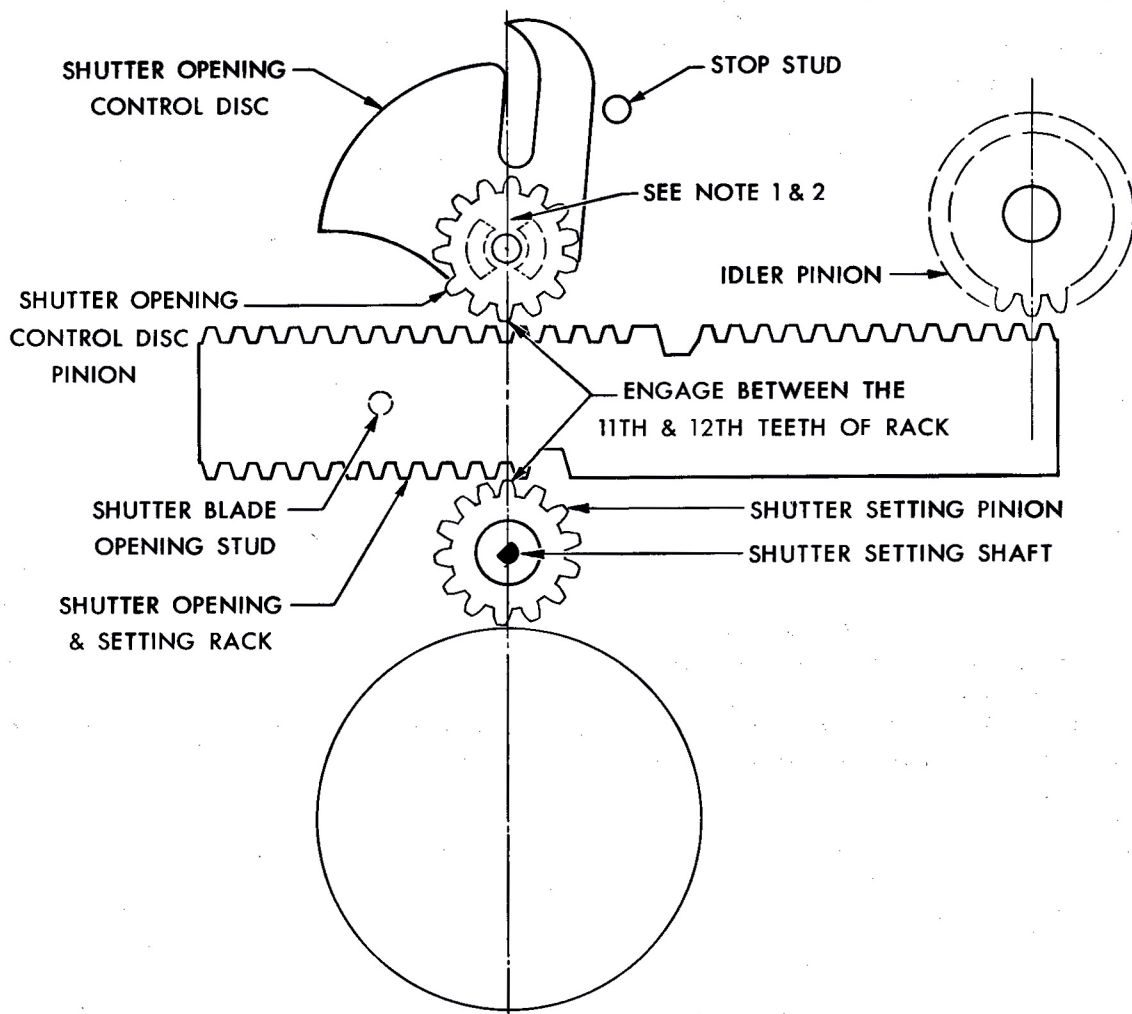
2.3 SHUTTER FROM FRONT MOUNT

Disassembly

- a) Disassemble as in Instruction 2.2.
- b) Remove shutter release control lever and the flat spring retaining the shutter opening control disc pinion.
- c) Remove two screws directly above rack and two screws accessible through the holes in the setting wheel cover plate and unsolder the lead between flash switch and flash terminal on shutter.
- d) Separate shutter assembly from mount.
- e) Separate the shutter from the assembly in the same manner as the Retina III S.

Reassembly

- a) Reassemble shutter to diaphragm and speed scale assembly in the same manner as the Retina III S.
- b) Reassemble shutter assembly to front mount.
- c) Lubricate sparingly: rack, pinions and shutter control disc.
- d) The following figure illustrates the position and timing of the shutter setting mechanism:



SERVICE INSTRUCTIONS RETINA REFLEX S CAMERA

2. D I S A S S E M B L Y A N D R E A S S E M B L Y (Continued)

NOTE: There are several slightly different types of mechanism used at this point.
The following notes pertain to the late style versions.

- #1 - When the pinion with small lugs is properly engaged with the disc and rack, there should be approximately 1/16" play between the edge of disc and stop stud.
- #2 - When the pinion with wide lugs is properly engaged with the disc and rack, there should be little or no play between disc and stop stud.

SERVICE INSTRUCTIONS RETINA REFLEX S CAMERA

3. SERVICE HINTS

3.1 CHECKING SYNCHRONIZATION OF MIRROR, APERTURE COVER AND SHUTTER

- a) Attach lens and set speed at 1/500 and diaphragm at f/1.9 or f/2.8.
- b) When shutter is tripped a full circular lens opening should be visible.
- c) Re-check at 1/500 and f/22.

3.2 ADJUSTING SYNCHRONIZATION OF MIRROR, APERTURE COVER AND SHUTTER

- a) Adjust initial release or closing of shutter blades (prior to release of mirror) with set screw on body release slide. This can best be adjusted with the front mount in place and with an appropriate screw driver through the meter cord hole in the top of the casting. The small cover plate directly below the flash terminal can be removed to facilitate this adjustment.
- b) Adjust release of aperture cover by mirror, using adjusting screw on cover retainer slide. Aperture cover should be released when mirror is approximately 3/4 of the way up.

3.3 MIRROR AND APERTURE COVER FAIL TO RELEASE

Jamming of the mirror and aperture cover in the down position (aperture cover open approximately 3/8") is caused when the camera receives a severe jar on the bottom. When this happens, the stud on the right side of the mirror bracket slips off the LATCH LEVER (13) and locks behind it, thereby jamming both the mirror and cover.

To release the assemblies, remove the top housing and pentaprism and carefully press the latch lever forward and at the same time depress the mirror latch.

NOTE: Cameras above serial number 805300 are fitted with modified parts designed to prevent the jamming condition. These parts are: (1) the Mirror Latch Lever Assembly (N5187) which has been altered to provide an adjustable lug to prevent mirror from passing the latch and (2) the Lever Guide Strap Assembly (N5060) which has been altered by the addition of a stud to control the excess downward travel of the mirror release lever.

It is recommended that these two parts be fitted to all cameras with serial number below 805300 which are received with jammed mirrors or which require the removal of the front mount for any reason.

3.4 MIRROR BRACKET FAILS TO LATCH

The MIRROR RELEASE LEVER (11) may bind.

The LATCH LEVER (13) may bind or fail to engage LEVER (11).

The latch lever spring may be disengaged or missing.

The mirror bracket may have excessive side play. Correct by installing a new 9 1/2 coil actuating spring (N5186).

3.5 APERTURE COVER FAILS TO CATCH

The aperture cover latch on left side may bind.

The aperture cover latch actuating spring may be disengaged.

SERVICE INSTRUCTIONS RETINA REFLEX S CAMERA

3. SERVICE HINTS (Continued)

3.6 SHUTTER FAILS TO SET OR OPEN FOR THE EXPOSURE

The RACK (16) may not travel fully in either direction. Correct with ADJUSTMENT SCREW (14) on rear transfer shaft.

3.7 SHUTTER BLADES REMAIN PARTLY OPEN

This is generally caused when the lugs on the SHUTTER OPENING CONTROL DISC PINION (18) slip out of contact with the slots in the SHUTTER OPENING CONTROL DISC (20).

The trouble can be caused by a bind in the shutter proper or insufficient tension of the flat spring retaining the pinion.

EASTMAN KODAK COMPANY • ROCHESTER 4, NEW YORK