

RETINA REFLEX IV CAMERA



Kundendienst-Unterlagen

Service Data

KODAK AG · STUTTGART-WANGEN

Die Kundendienst-Unterlagen zur RETINA REFLEX IV CAMERA (Typ 051) gliedern sich in folgende Kapitel:

| | Seite: |
|--|--------|
| 1 Technische Beschreibung | 03 |
| 2 Funktionsbeschreibung | 11 |
| 3 Zeichenerklärung; Demontage-Bildtafeln mit Teile-Bezeichnung | 21 |
| 4 Sonderwerkzeuge und Prüflehren | 44 |
| 5 Schmier- und Klebstoffe | 46 |
| 6 Montageplan | 47 |
| 7 Justieranweisung | 84 |
| 8 Teile-Liste (Verzeichnis) | 104 |

Beim Nachbestellen von einzelnen Blättern genügt die Angabe des Camera-Typs: "051" und die entsprechende Kapitel-Nr. und Seitenzahl, wie sie dem äußeren unteren Feld auf jeder Seite zu entnehmen sind, z. B. 051 1/03: Kapitel 1, Seite 3 der Kundendienst-Unterlagen zum Typ 051.

Wenn keine bestimmte Ausgabe angefordert wird, so wird jeweils die neueste Ausgabe verschickt.

Beim Bestellen von Teilen immer Teil-Nummer und -Name angeben.

The Service-Data for RETINA REFLEX IV CAMERA (type 051) consist of the following chapters:

| | page: |
|---|-------|
| 1 Specification | 07 |
| 2 Description of Function | 16 |
| 3 Explanation of Symbols; Disassembly-Illustrations with Designation of Parts | 21 |
| 4 Special Service Tools and Master Gauges | 44 |
| 5 Lubricants and Adhesives | 46 |
| 6 Assembly Plan | 65 |
| 7 Adjustments | 94 |
| 8 Parts-List | 104 |

When reordering single leaves it is only necessary to quote the camera-type: "051", chapter-number and page concerning, which can be learned from the outer field at the bottom of each page, e. g. , 051 1/03: chapter 1, page 3 of Service Data type 051.

If there is no request for a certain edition, then always the latest one is forwarded.

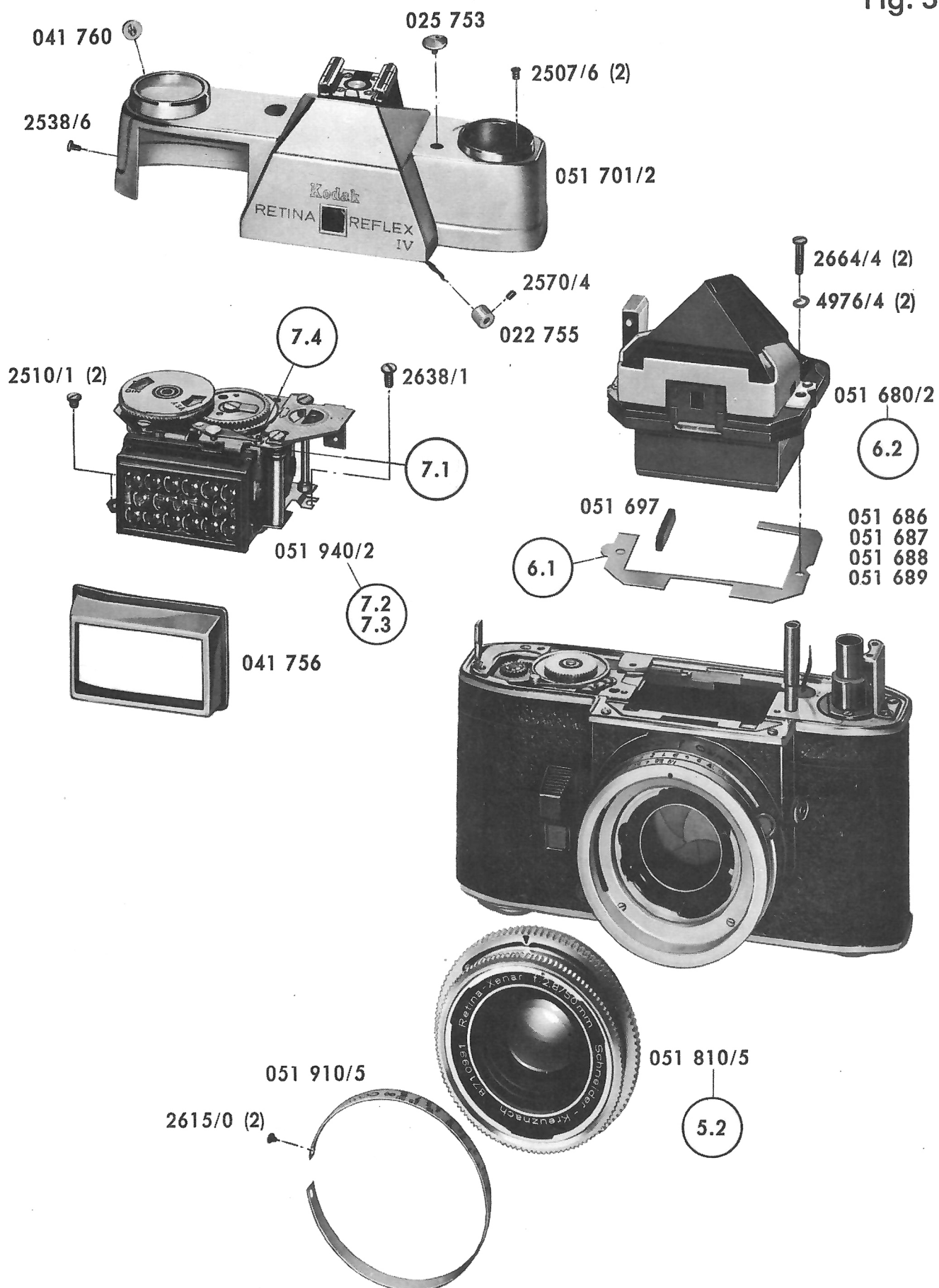
Always give Part-Number and Name when ordering parts.

| Fig. | Teil-Nr. Part-No. | Benennung | Part Name | Stück Reqd. | Anmerkng. Notes |
|------|----------------------|---|---|----------------|--------------------|
| 3 | 022 755 | Isolierbuchse | Insulating bushing | 1 | |
| | 025 753 | Abschlußschraube | Housing screw | 1 | S |
| | 041 756 | Zierkappe | Frame | 1 | |
| | 041 760 | Knopf | Button | 1 | S |
| | 051 680/2 | Gruppe Sucher | Viewfinder assy | 1 | |
| | 051 686 | Zwischenlage 0,1 mm | Spacer 0.1 mm | 1 | |
| | 051 687 | Zwischenlage 0,2 mm | Spacer 0.2 mm | 1 | |
| | 051 688 | Zwischenlage 0,3 mm | Spacer 0.3 mm | 1 | |
| | 051 689 | Zwischenlage 0,4 mm | Spacer 0.4 mm | 1 | |
| | 051 697 | Abschirmgummi | Rubber pad | 1 | |
| | 051 701/2 | Gr. Schaltwerkdeckel | Housing assy | 1 | R, 1) |
| | 051 810/5 | Objektiv, Xenar | Lens assy, Xenar | 1 | |
| | 051 910/5 | Entfernungsskala m/ft (in 051 810/5 enthalten) | Distance scale m/ft. (included in 051 810/5) | 1 | |
| | 051 940/2 | Gr. Belichtungsmesser | Exposure meter assy | 1 | S, R |
| | 2 507/6 | Senkschraube | Countersunk screw | 2 | |
| | 2 510/1 | Linsenschraube | Lens head screw | 2 | |
| | 2 538/6 | Linsenschraube | Lens head screw | 1 | |
| | 2 570/4 | Gewindestift | Grub screw | 1 | |
| | 2 615/0 | Linsenschraube | Lens head screw | 2 | |
| | 2 638/1 | Linsenschraube | Lens head screw | 1 | |
| | 2 664/4 | Linsenschraube | Lens head screw | 2 | |
| | 4 976/4 | Federring | Spring washer | 2 | R |

1) Schaltwerkdeckel mit "Made
in Germany"
051 702/2

Housing assembly with "Made
in Germany"
051 702/2

Fig. 3



| Fig. | Teil-Nr. Part-No. | Benennung | Part Name | Stück Reqd. | Anmerkg. Notes |
|------|----------------------|-----------------------------|------------------------------|----------------|-------------------|
| 4 | 041 683 | Schutzeinlage | Guard plate | 2 | |
| | 051 682 | Linsenschacht | Finder lens compart- ment | 1 | |
| | 051 684 | Blende | Mask | 1 | |
| | 051 685 | Zwischenstück | Separator | 1 | |
| | 051 690/1 | Gr. Prisma-Halte- winkel | Prism bracket assy | 1 | |
| | 051 692/1 | Gr. Umlenkprisma | Prism assy | 1 | |
| | 051 693 | Blende | Mask | 1 | |
| | 051 694/1 | Gr. Unterlegplatte | Bearing plate assy | 1 | |
| | 0 273/0 | Fresnellinse | Fresnel' s lens | 1 | |
| | 0 274/0 | Keillinse | Lens with double wedge | 1 | |
| | 0 283/5 | Dachkant- Penta- Prisma | Pentaprism | 1 | |
| | 0 286/0 | Klarsichtfolie | Clear vision foil | 2 | |
| | 2 670/0 | Linsenschraube | Lens head screw | 2 | |

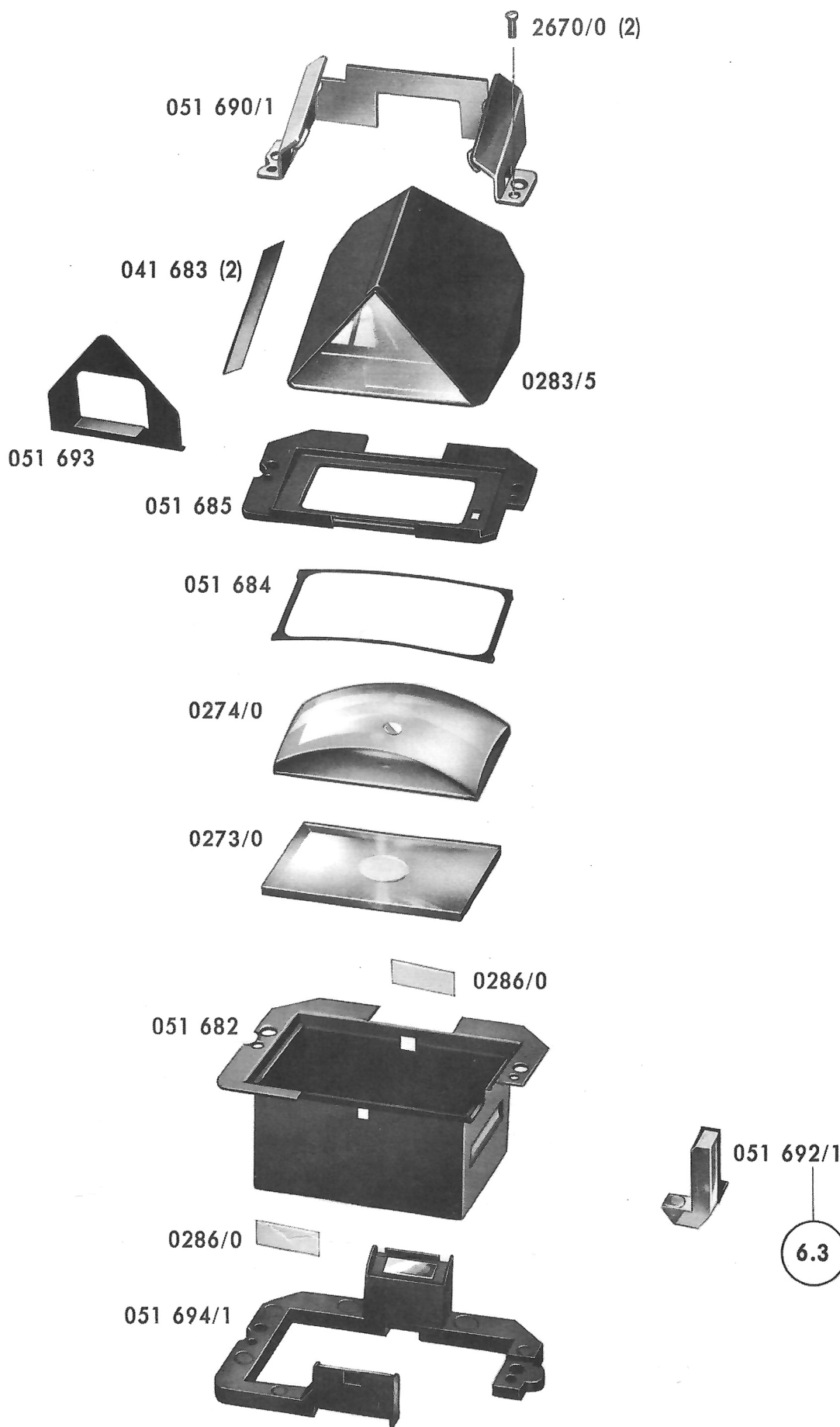
Bemerkung:

Der Meßsucher darf nur ausei-
nandergelöst werden, wenn ein
staubfreier Arbeitsplatz mit
Staubabsaugereinrichtung vorhan-
den ist.

Note:

The finder can only be disassembled,
if there is a dust-free working place
with dust collection by exhaust ven-
tilation equipment disposable.

Fig. 4



| Fig. | Teil-Nr. Part-No. | Benennung | Part Name | Stück Reqd. | Anmerk Notes |
|------|----------------------|-----------------------------|----------------------|----------------|-----------------|
| 5 | 041 724 | Einblickfenster- fassung | Eyepiece mount | 1 | N |
| | 041 728 | Blende | Eyepiece mask | 1 | N |
| | 041 745/1 | Gr. Abschlußkappe | Cap assy | 1 | N |
| | 051 701 | Schaltwerkdeckel | Housing | 1 | N |
| | 051 708 | Buchse | Bushing | 1 | N |
| | 051 732/1 | Sockel | Pedestal | 1 | R |
| | 051 734 | Kontaktbolzen | Contact pin | 1 | |
| | 051 736 | Blattfeder | Leaf spring | 1 | |
| | 051 737/1 | Gr. Kontaktfeder | Contact spring assy | 1 | |
| | 051 738 | Steckschuh | Clip | 1 | |
| | 0 279/0 | Sucherokular | Eyepiece glass | 1 | N |
| | 0 282/0 | Plankonkavlinse | Plano-concave lens | 1 | N |
| | 0 284/0 | Lupenlinse | Magnifying lens | 1 | N |
| | 2 557/0 | Linsenschraube | Lens head screw | 1 | |
| | 2 638/1 | Linsenschraube | Lens head screw | 1 | |
| | 2 662/6 | Senkschraube | Counter sunk screw | 2 | |
| | 2 663/6 | Senkschraube | Counter sunk screw | 2 | |
| 6 | 023 350 | Abdeckscheibe | Closing plate | 3 | =K |
| | 041 357 | Bezug, rechte Seite | Covering, right side | 1 | =L, R |
| | 041 358 | Bezug, linke Seite | Covering, left side | 1 | =L, R |
| | 041 660/1 | Gr. Seilscheibe | Pulley assembly | 1 | ⊙D |
| | 041 663 | Lagerschraube | Bearing screw | 1 | |
| | 041 673 | Distanzbolzen | Distance bolt | 1 | |
| | 051 380 | Auslöseknopf | Release button | 1 | |
| | 051 389 | Abdeckleder | Leather covering | 1 | =L, R |
| | 2 660/1 | Zylinderschraube | Fillister head screw | 1 | |
| | 4 060/0 | Isolierscheibe | Insulating disk | 1 | =L |

Fig. 5

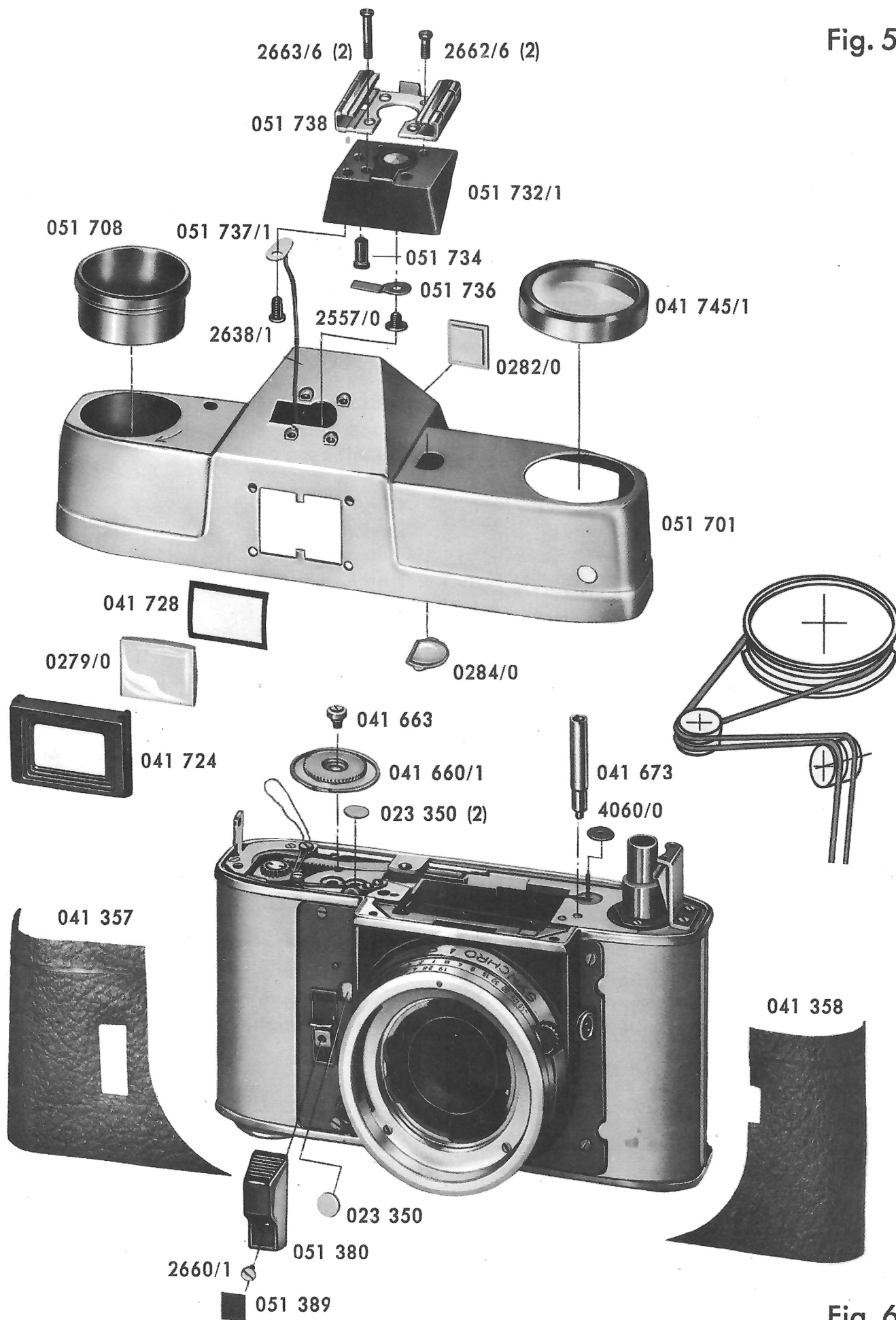


Fig. 6

| Fig. | Teil-Nr. Part-No. | Benennung | Part Name | Stück Reqd. | Anmerkg. Notes |
|------|----------------------|---------------------------|---------------------------|----------------|-------------------|
| 7 | 016 616 | Zählscheibe | Counter dial | 1 | |
| | 021 594 | Führungsbuchse | Cartridge bearing | 1 | |
| | 021 595 | Stativmutter | Tripod socket | 1 | R |
| | 025 607 | Lederscheibe | Covering disk | 1 | =L, R |
| | 034 030 | Druckfeder | Pressure spring | 1 | R |
| | 040 602/1 | Gr. Aufzughebel | Winding lever assy | 1 | R |
| | 041 064 | Schenkelfeder | Tension lever spring | 1 | R |
| | 051 025/1 | Gr. Unterer Rahmen | Bottom frame assy | 1 | |
| | 051 056 | Rückstellfeder | Return spring | 1 | |
| | 051 057 | Indexscheibe | Index disk | 1 | |
| | 051 058 | Zählscheibenmitnehmer | Counter ratchet | 1 | |
| | 051 058/1 | Gr. Zählscheibenmitnehmer | Counter ratchet assy | 1 | |
| | 051 060/1 | Gr. Zähl-Schieber | Counter slide assy | 1 | OD |
| | 051 070/1 | Gr. Rastfeder-Hebel | Ratchet spring lever assy | 1 | OD |
| | 051 075 | Schenkelfeder | Tension lever spring | 1 | R |
| | 051 077 | Anschlaghebel | Stop lever | 1 | OD |
| | 051 078 | Ansatzschraube | Shoulder screw | 1 | |
| | 051 079 | Schenkelfeder | Tension lever spring | 1 | R |
| | 051 356 | Bezug, Unterseite | Covering, bottom | 1 | |
| | 051 597 | Fixierschraube | Locating screw | 1 | A |
| | 051 612 | Stativmutterring | Tripot socket ring | 1 | |
| | 051 613 | Ledereinlage | Inlay | 1 | = L |
| | 2 507/1 | Senkschraube | Countersunk screw | 8 | |
| | 2 527/1 | Senkschraube | Countersunk screw | 2 | A |
| | 2 625/1 | Zylinderschraube | Fillister head screw | 3 | |
| | 2 639/6 | Zylinderschraube | Fillister head screw | 1 | |
| | 2 661/1 | Senkschraube | Counter sunk screw | 2 | |
| | 4 065/0 | Scheibe | Washer | 1 | |
| | 4 686/0 | Scheibe (0, 1 mm) | Washer (.002") | 1 | |
| | 4 703/0 | Scheibe (0, 05 mm) | Washer (.004") | 1 | |

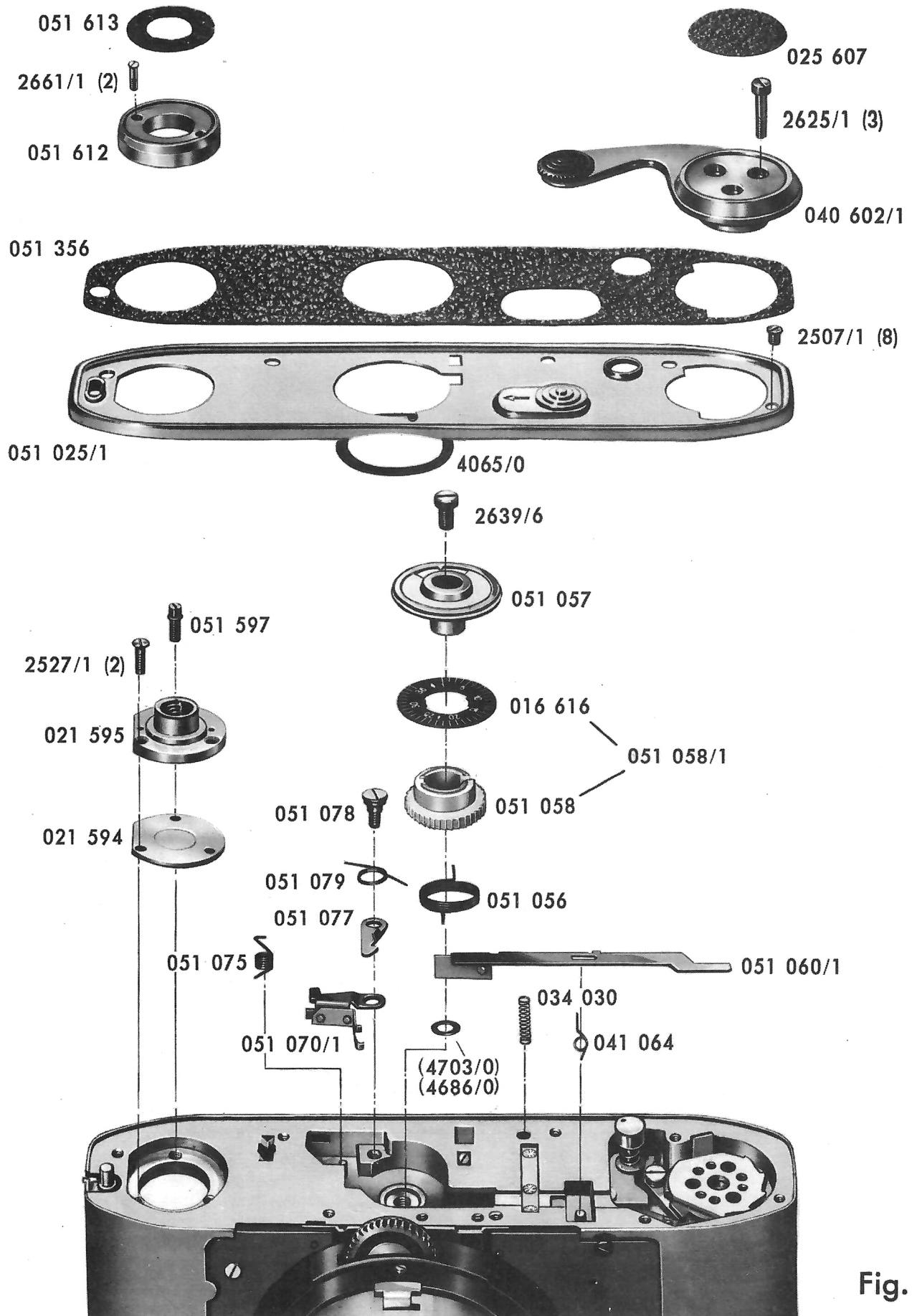


Fig. 7

| Fig. | Teil-Nr. Part-No. | Benennung | Part Name | Stück Reqd. | Anmerkng. Notes |
|------|----------------------|------------------------------|---------------------------------------|----------------|--------------------|
| 8 | 025 170/1 | Gr. Steuerwelle | Governing shaft assy | 1 | ⊙G |
| | 051 191/1 | Gr. Nockenscheibe | Cam assembly | 1 | OD |
| | 2 509/1 | Linsenschraube | Fillister head | 2 | |
| | 2 610/1 | Senkschraube | Countersunk screw | 4 | A |
| | 2 623/1 | Gewindestift | Grub screw | 1 | R |
| | 4 694/0 | Scheibe (0,2 mm) | Washer (.008") | 1 | |
| | 4 988/4 | Tellerfeder | Plate spring | 12 | R |
| 9 | 034 230 | Zahnrad | Gear | 1 | OD,R |
| | 034 231 | Distanzbuchse | Bushing | 1 | ⊙D |
| | 034 232 | Ansatzschraube | Shoulder screw | 1 | A |
| | 034 265/1 | Gr. Steuerhebel | Shutter release control lever assy | 1 | G |
| | 034 945 | Blattfeder | Leaf spring | 1 | |
| | 041 270 | Abeckwinkel | Cover plate | 1 | |
| | 051 212 | Wollfaden | Wool thread | 2 | |
| | 051 805 | Synchro-Compur- Verschluß | Synchro-Compur- Shutter | 1 | 1) |
| | 2 079/4 | Linsenschraube | Fillister head | 1 | |
| | 2 509/4 | Linsenschraube | Fillister head | 1 | A |
| | 2 611/4 | Senkschraube | Countersunk screw | 4 | |

1) Reparaturanleitung für Verschluß
siehe Compur-Mappe der Firma
Compur-Werk GmbH & Co,
München.

For repair of shutters, see the
Compur-Rapid Service Manual of
Compur-Werk GmbH & Co,
Munich.

Fig. 8

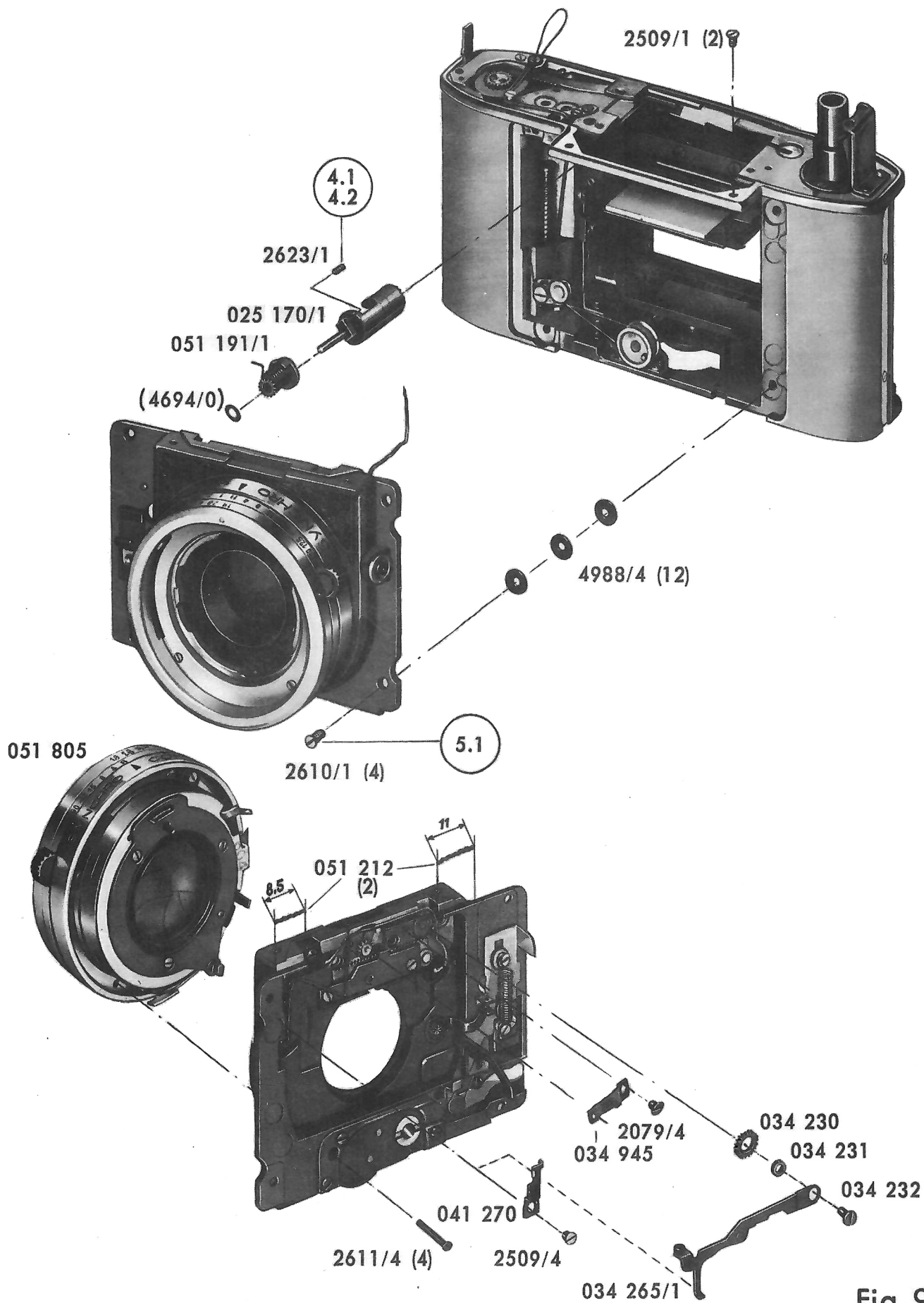


Fig. 9

| Fig. | Teil-Nr. Part-No. | Benennung | Part Name | Stück Reqd. | Anmerkng. Notes | |
|-----------|----------------------|---------------------|------------------------------|-----------------------------|--------------------|----|
| 10 | 034 212 | Ansatzschraube | Shoulder screw | 1 | A | |
| | 034 252 | Zahnstange | Rack | 1 | | |
| | 034 263 | Lagerblech | Bearing plate | 1 | OG | |
| | 034 289 | Zahnrad | Gear | 1 | | |
| | 034 926 | Klinke | Control bracket | 1 | OG | |
| | 034 942 | Zahnrad | Gear | 1 | | |
| | 041 209 | Abdeckplättchen | Screening plate | 1 | | |
| | 041 210 | Halteschraube | Screw | 1 | | |
| | 041 211 | Lagerschraube | Shoulder screw | 1 | A | |
| | 041 217 | Zugfeder | Tension spring | 1 | | |
| | 041 247 | Schutzeinlage | Leather pad | 1 | = L | |
| | 051 143 | Exzenter | Eccentric | 1 | | |
| | 051 202/2 | Gr. Objektivträger | Front assembly | 1 | OG | |
| | 051 206 | Schaltdraht | Contact wire | 1 | | |
| | 051 208 | Auslöseschieber | Release slide | 1 | | |
| | 051 208/1 | Gr. Auslöseschieber | Release slide assy | 1 | OD | |
| | 2 467/1 | Senkschraube | Countersunk screw | 2 | A | |
| | 2 490/1 | Gewindestift | Grub screw | 1 | | |
| | 2 561/0 | Linsenschraube | Lens head screw | 1 | | |
| | 4 662/1 | Distanzscheibe | Spacer | 2 | | |
| | 4 670/0 | Scheibe | Washer | 1 | OG | |
| | 4 671/0 | Scheibe | Washer | 1 | | |
| | 11 | 026 793/1 | Gr. Kontaktnippel- träger | Contact pin bearing assy | 1 | N |
| | | 034 213/1 | Gr. Auslöseklinke I | Release lever assy I | 1 | OD |
| | | 034 215 | Auslöseklinke II | Release lever II | 1 | N |
| | | 034 233 | Gleitrolle | Roller | 1 | N |
| | | 034 235 | Lagerniet | Bearing rivet | 1 | N |
| 034 242/1 | | Trennschalter | Switch | 1 | | |
| 034 249 | | Bezug | Covering | 1 | R | |
| 034 280 | | Bezug | Covering | 1 | R | |
| 034 282 | | Bezug | Covering | 1 | R | |
| 034 286 | | Isolierscheibe | Insulating disk | 1 | R | |
| 034 287 | | Kontaktdraht I | Contact wire I | 1 | | |
| 034 932 | | Lagerbolzen | Bearing bolt | 1 | | |
| 041 251 | | Bezug | Covering | 1 | R | |
| 041 252 | | Bezug | Covering | 1 | R | |
| 041 288 | | Kontaktdraht II | Contact wire II | 1 | | |
| 051 202 | | Objektivträger | Front | 1 | N | |
| 051 220 | | Sperrklinke | Pawl | 1 | N | |
| 051 222 | | Ansatzniet | Shoulder rivet | 1 | N | |
| 051 223 | | Schenkelfeder | Tension lever spring | 1 | R | |
| 051 225 | | Exzenterniet | Eccentric rivet | 1 | N | |

Fortsetzung auf Seite 36, unten

Continued on bottom of page 36

Fig. 10

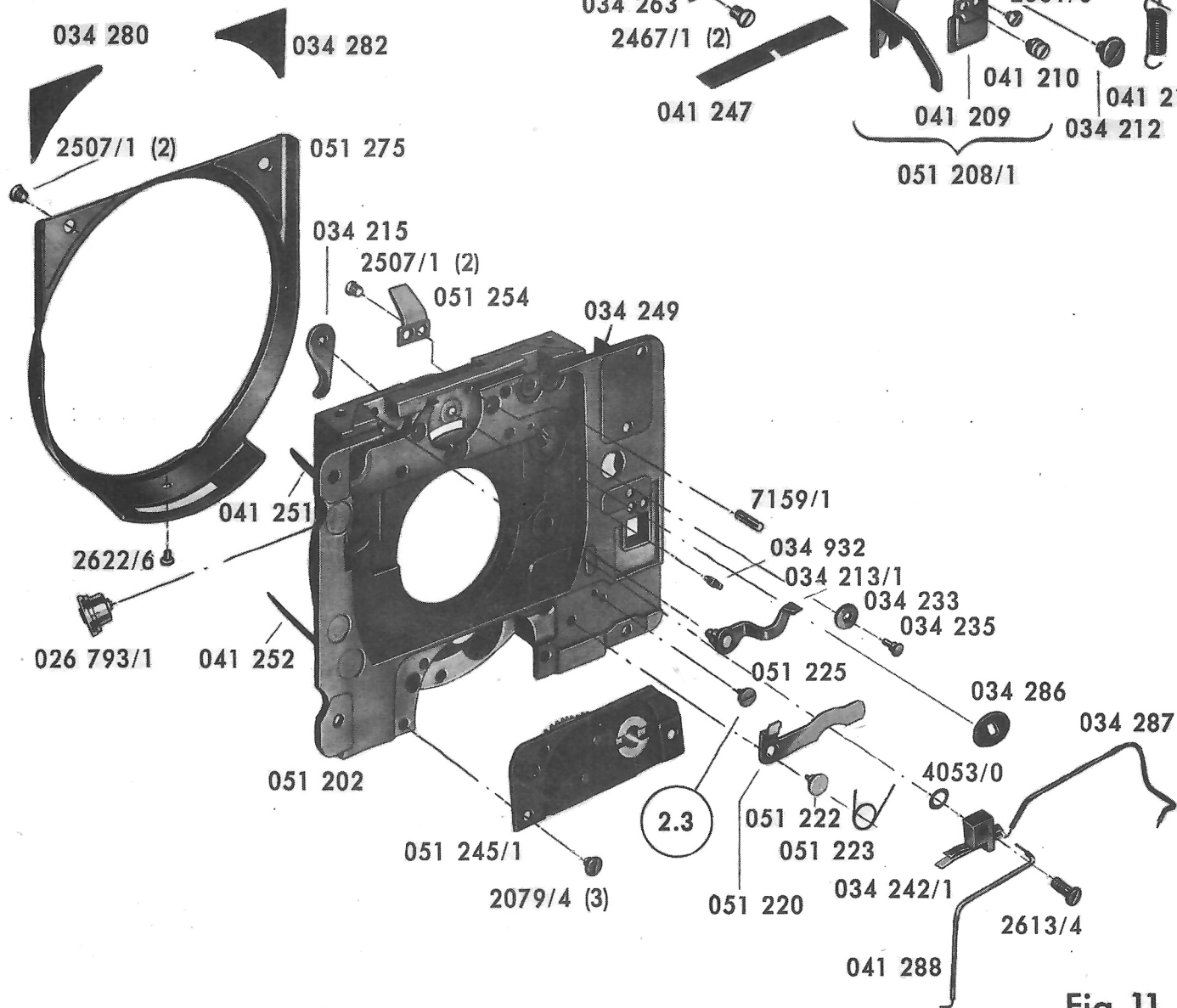
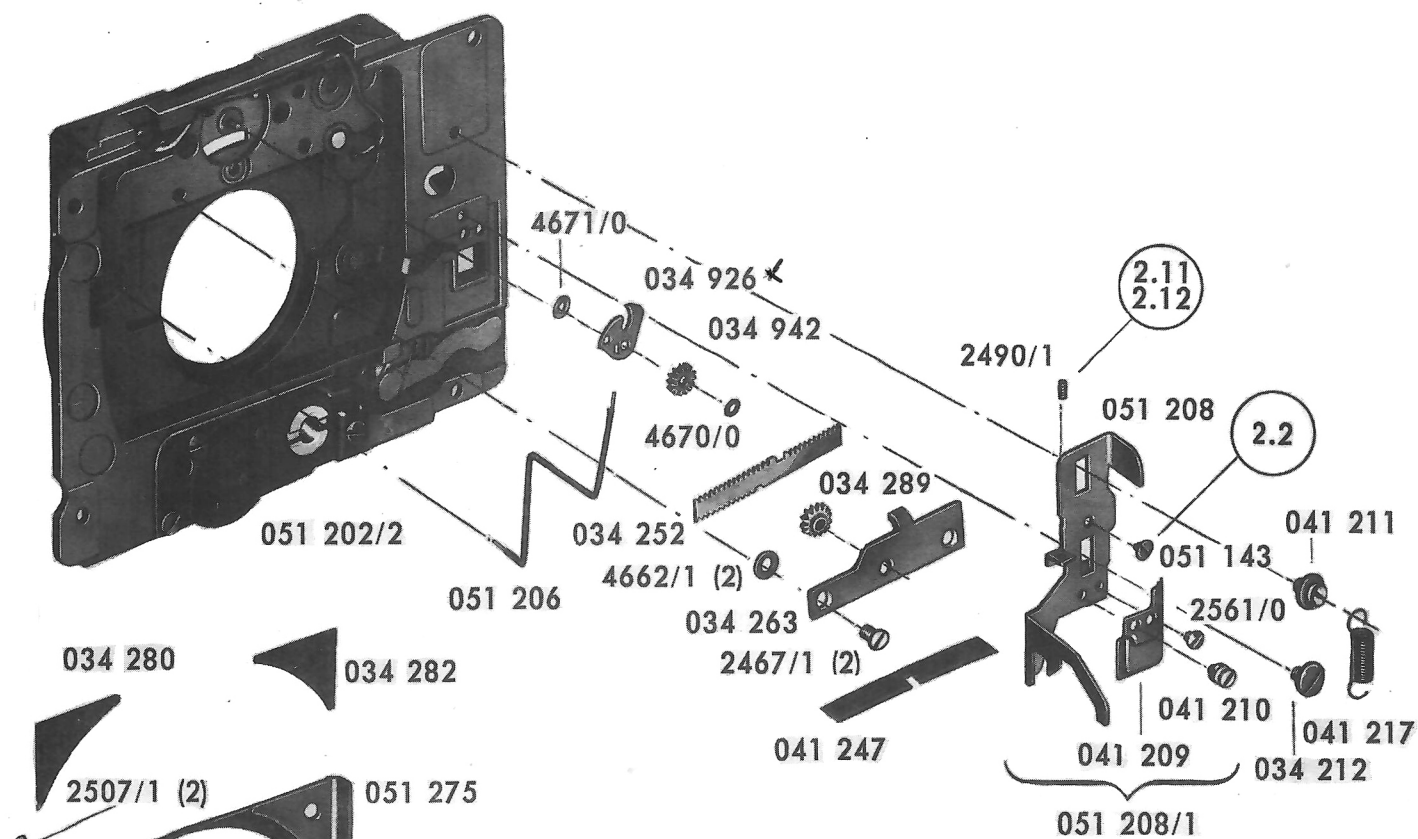


Fig. 11

| Fig. | Teil-Nr. Part-No. | Benennung | Part Name | Stück Reqd. | Anmerkg. Notes |
|------|----------------------|--|---|----------------|-------------------|
| 12 | 051 260/1 | Gr. Seiltrommel | Cable drum assy | 1 | |
| | 2 583/4 | Zylinderschraube (nur als Hilfsschraube) | Fillister head screw (only as auxiliary screw) | 1 | R |
| 13 | 023 637 | Lagerschraube | Bearing screw | 1 | |
| | 040 638 | Rückspullager | Rewind post bearing | 1 | |
| | 041 150/1 | Gr. Winkelblech | Bearing angle assy | 1 | ⊙A |
| | 041 263 | Übertragungsschnur (Länge unter Zugbe- lastung 359 mm) | Transmission cord (Length during tensile stress 359 mm) | 1 | R |
| | 041 616 | Zahnstange | Setting rack | 1 | ⊙D, R |
| | 041 643 | Seilrolle | Cable pulley | 2 | |
| | 041 644 | Lagerschraube | Bearing screw | 1 | |
| | 041 648 | Abschirmleder | Screening leather | 1 | =L |
| | 051 028 | Oberer Rahmen | Top frame | 1 | |
| | 051 630 | Rückspulachse | Rewind post | 1 | OD, R |
| | 051 636/1 | Gr. Befestigungs- winkel | Bracket assy | 1 | |
| | 051 638 | Befestigungswinkel, rechts | Right bracket | 1 | |
| | 051 639 | Haarnadelfeder | Spring | 1 | R |
| | 051 642 | Gleitrolle | Roller | 1 | OH |
| | 051 675 | Niederhalteblech | Holding down plate | 1 | OD |
| | 2 027/1 | Senkschraube | Countersunk screw | 1 | A |
| | 2 509/1 | Linsenschraube (1 x nur als Hilfs- schraube) | Lens head screw (1 x only as auxiliary screw) | 3 | A |
| | 2 537/1 | Linsenschraube | Lens head screw | 2 | A |
| | 2 638/1 | Linsenschraube | Lens head screw | 2 | A |

Fortsetzung von Seite 34:

Continued page 34:

| | | | | | |
|--|-----------|----------------------|----------------------------------|---|---|
| | 051 245/1 | Gr. Lagerplatte | Bearing plate assy | 1 | |
| | 051 254 | Anschlagwinkel | Angular post | 1 | |
| | 051 275 | Vordere Abdeckplatte | Front frame | 1 | R |
| | 2 079/4 | Linsenschraube | Lens head screw | 3 | A |
| | 2 507/1 | Senkschraube | Countersunk screw | 4 | |
| | 2 613/4 | Linsenschraube | Lens head screw | 1 | |
| | 2 622/6 | Zylinderschraube | Fillister head screw | 1 | |
| | 4 053/0 | Scheibe | Washer | 1 | |
| | 7 159/1 | Steckkerb-Stift | Half length grooved dowel pin | 1 | |

Fig. 12

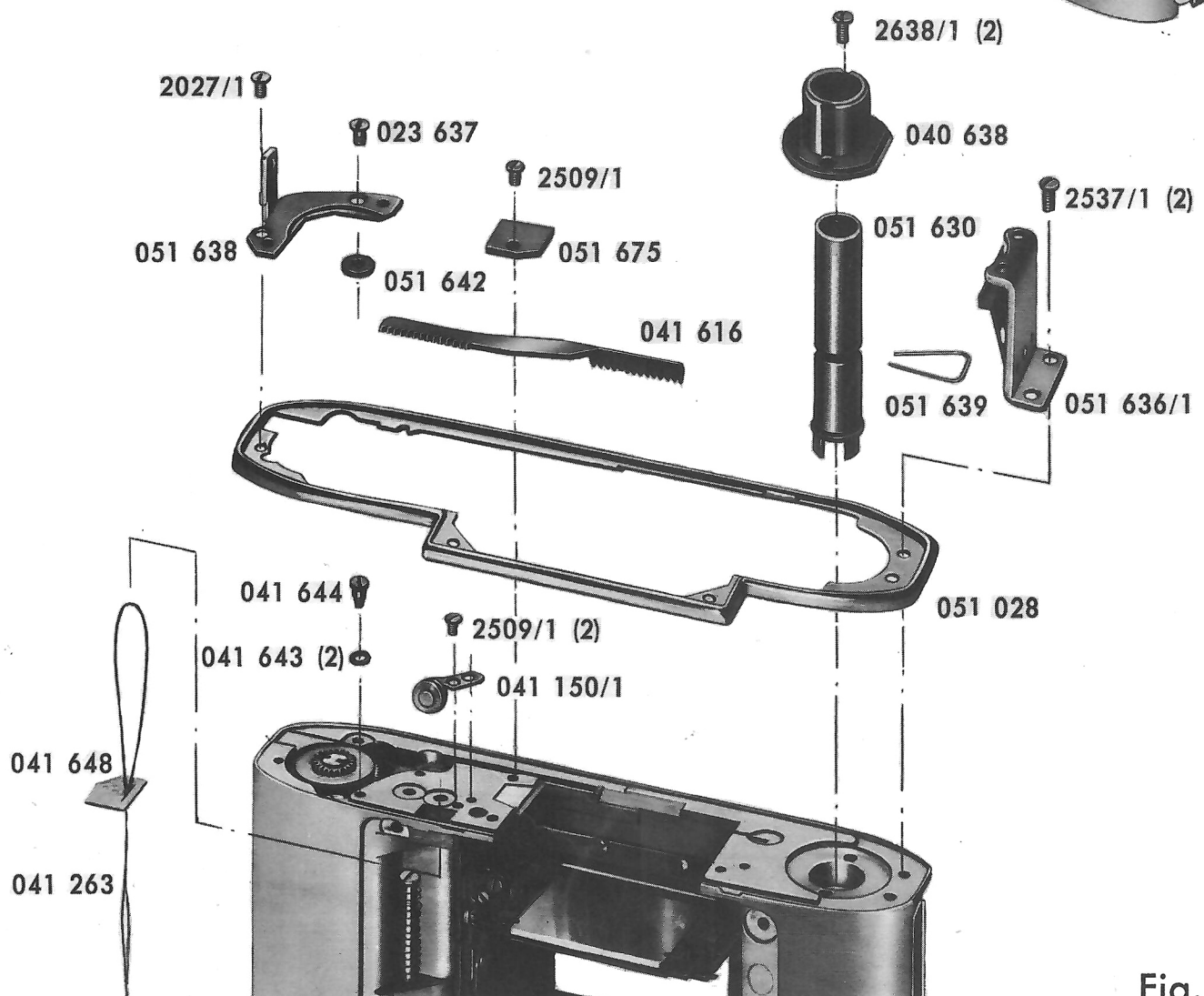
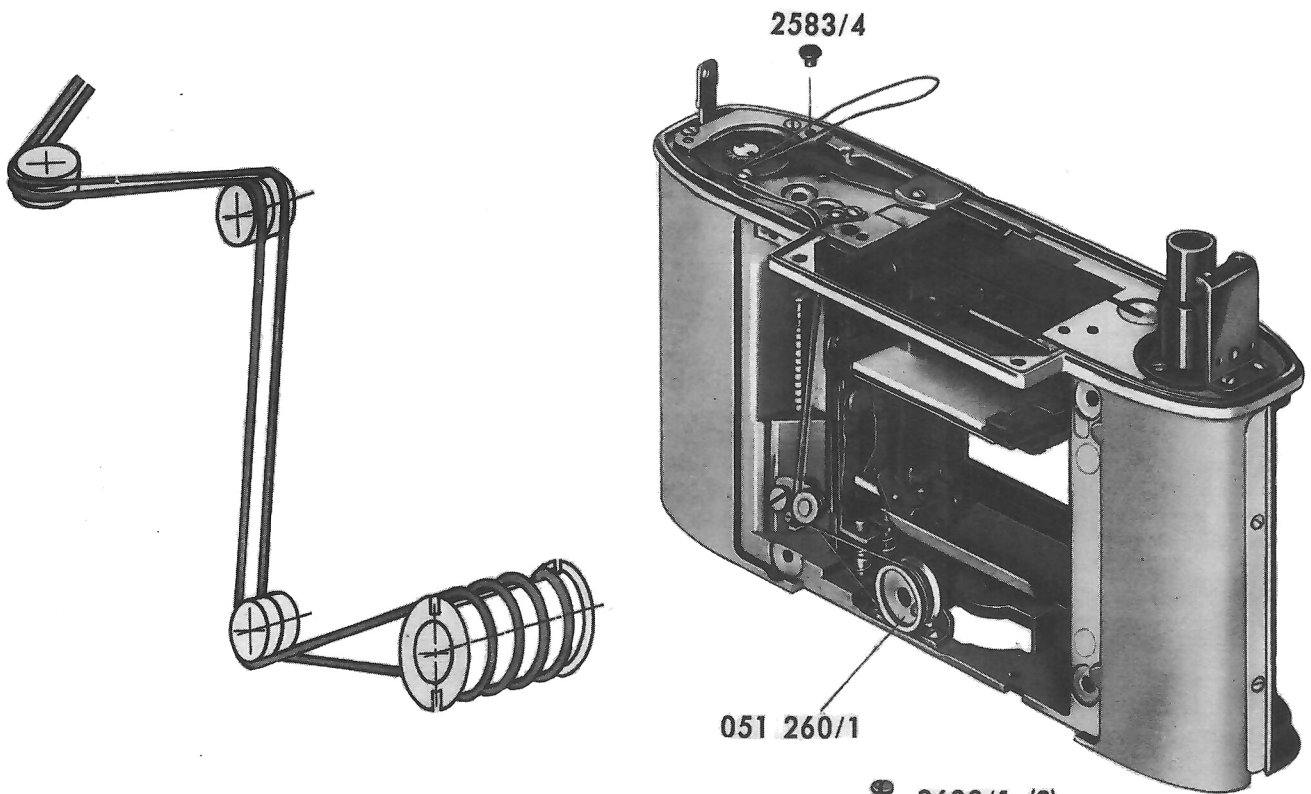


Fig. 13

| Fig. | Teil-Nr. Part-No. | Benennung | Part Name | Stück Reqd. | Anmerkng. Notes |
|---------|----------------------|------------------|-----------------------|---------------------|--------------------|
| 14 | 021 563 | Druckfeder | Pressure spring | 1 | R |
| | 021 564 | Umschaltknopf | Rewind release button | 1 | S, R |
| | 021 574 | Schenkelfeder | Tension lever spring | 1 | R |
| | 021 578 | Justierschraube | Adjusting screw | 1 | Loc. R |
| | 027 030/1 | Gr. Spannhebel | Tensioning lever assy | 1 | OD |
| | 027 032 | Lagerschraube | Bearing screw | 1 | |
| | 027 033 | Schenkelfeder | Tension lever spring | 1 | R |
| | 041 034 | Gewindebolzen | Threaded bolt | 1 | |
| | 041 577 | Schraubenfeder | Pressure spring | 1 | |
| | 051 570/1 | Gr. Sperrhebel | Wind release assy | 1 | ⊙D |
| | 4 623/1 | Scheibe | Washer | 1 | |
| | 4 658/0 | Scheibe | Washer | | |
| | 15 | 021 550 | Abschlußschraube | Winding shaft screw | 1 |
| 038 532 | | Zahnrad | Gear | 1 | OD |
| 038 543 | | Schenkelfeder | Tension lever spring | 1 | R |
| 038 544 | | Mitnehmerscheibe | Winding shaft cam | 1 | OD |
| 038 545 | | Mitnehmer | Winding shaft pawl | 1 | R |
| 038 546 | | Abdeckscheibe | Washer | 1 | OD |
| 041 248 | | Abdeckleder | Screening leather | 2 | =L |
| 041 549 | | Antriebsrad | Winding shaft gear | 1 | OD,R |

Fig. 14

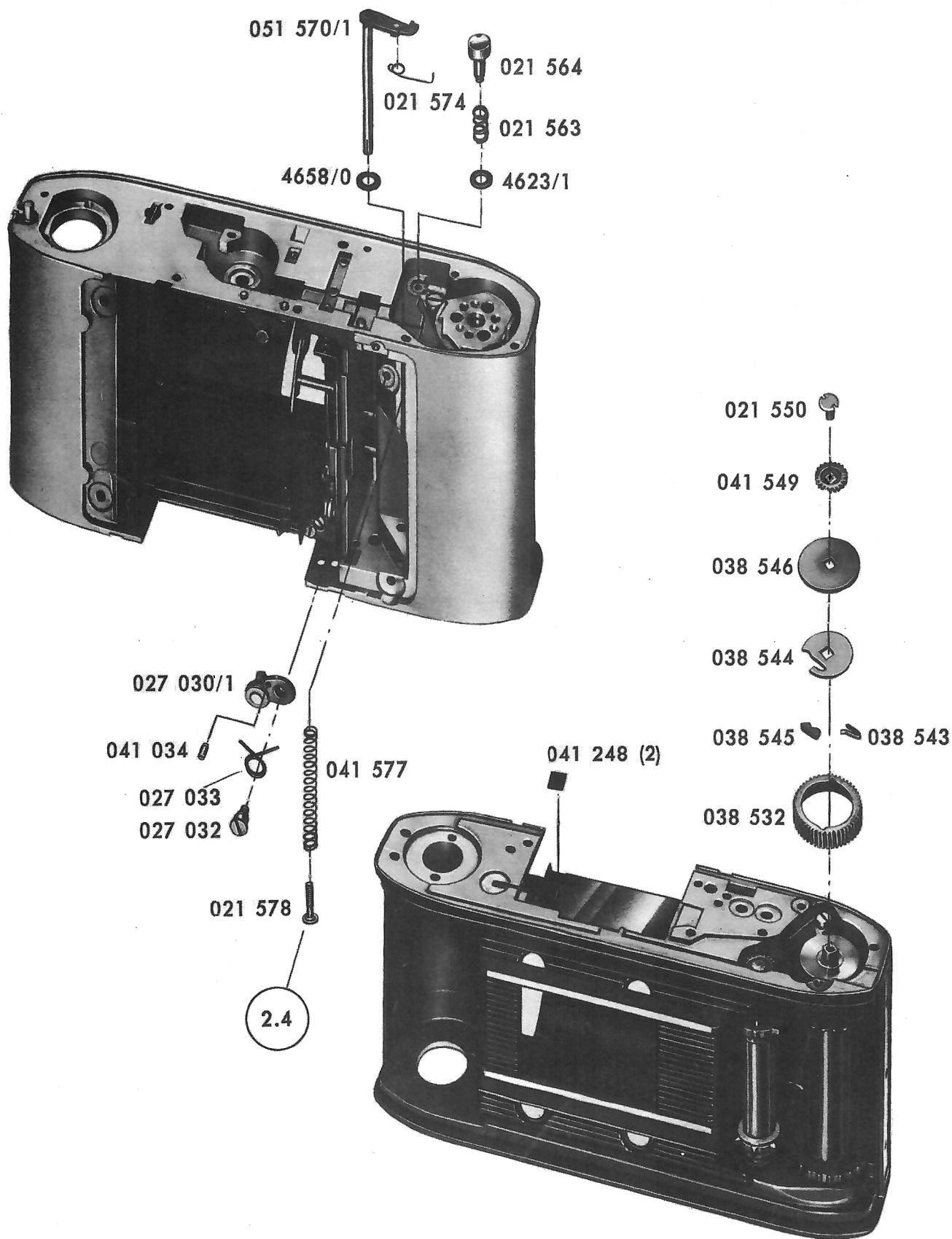


Fig. 15

| Fig. | Teil-Nr. Part-No. | Benennung | Part Name | Stück Reqd. | Anmerkng. Notes | |
|-----------|----------------------|-----------------------|--------------------------------|----------------|--------------------|---|
| 16 | 016 086 | Schenkelfeder | Tension lever spring | 1 | R | |
| | 016 540 | Frikionsfeder | Clutch spring | 1 | | |
| | 021 522 | Mitnehmerbuchse | Clutch | 1 | OD | |
| | 021 524 | Zahnradbuchse | Clutch gear | 1 | OD | |
| | 021 536 | Buchse | Bushing | 1 | | |
| | 021 539 | Schenkelfeder | Tension lever spring | 1 | R | |
| | 021 540 | Lagerschraube | Bearing screw | 1 | A | |
| | 021 555/1 | Gr. Transportachse | Sprocket shaft assy | 1 | OD | |
| | 021 560 | Transportrolle | Sprocket | 1 | | |
| | 035 538 | Sperrklinke | Drive gear pawl | 1 | | |
| | 035 567 | Umschalthebel | Rewind release dog | 1 | OD | |
| | 035 569 | Ansatzschraube | Shoulder screw | 1 | A | |
| | 038 527/1 | Gr. Lagerbuchse | Bracket assy | 1 | | |
| | 041 501/1 | Gr. Hauptachse | Winding shaft assy | 1 | OD | |
| | 041 518/1 | Gr. Filmspule | Take-up spool assy | 1 | R | |
| | 2 537/1 | Linsenschraube | Lens head screw | 1 | A | |
| | 2 593/1 | Senkschraube | Countersunk screw | 3 | A | |
| | 2 646/1 | Zylinderschraube | Fillister head screw | 1 | | |
| | 17 | 025 035 | Ansatzschraube | Shoulder screw | 2 | A |
| | | 025 037 | Zugfeder | Tension spring | 1 | R |
| 025 038 | | Querstift | Pin | 1 | | |
| 025 161 | | Spiegelhaltehebel | Mirror retaining lever | 1 | | |
| 025 162 | | Lagerwinkel | Angular bracket | 1 | | |
| 025 168 | | Lagerniet | Bearing rivet | 1 | | |
| 025 196 | | Abschirmblech | Light shield | 1 | | |
| 034 032 | | Sperrschieber | Locking slide | 1 | OG | |
| 041 161/1 | | Gr. Spiegelhaltehebel | Mirror retaining lever assy | 1 | | |
| 041 165 | | Justierbolzen | Adjusting bolt | 1 | | |
| 2 079/4 | | Linsenschraube | Lens head screw | 2 | A | |
| 2 258/4 | | Gewindestift | Grub screw | 1 | A | |

Fig. 16

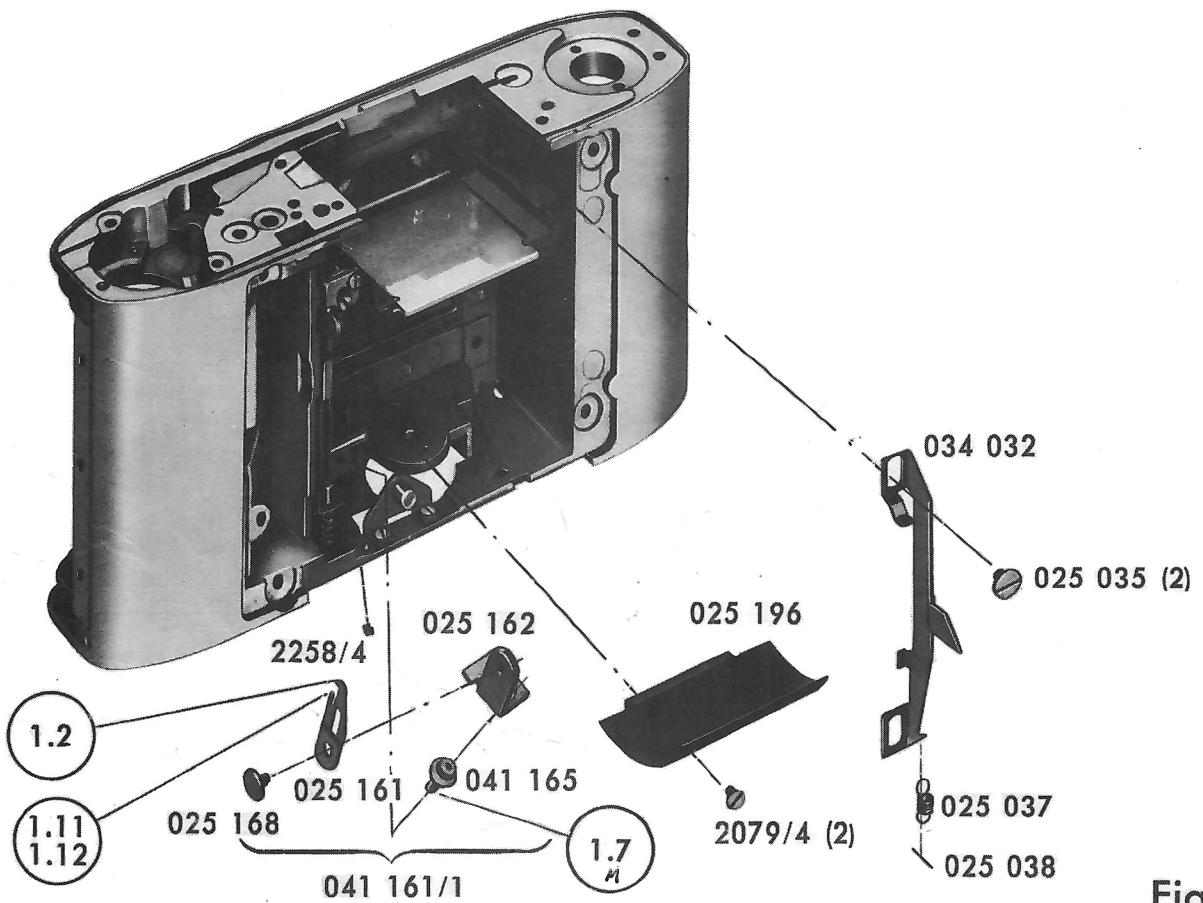
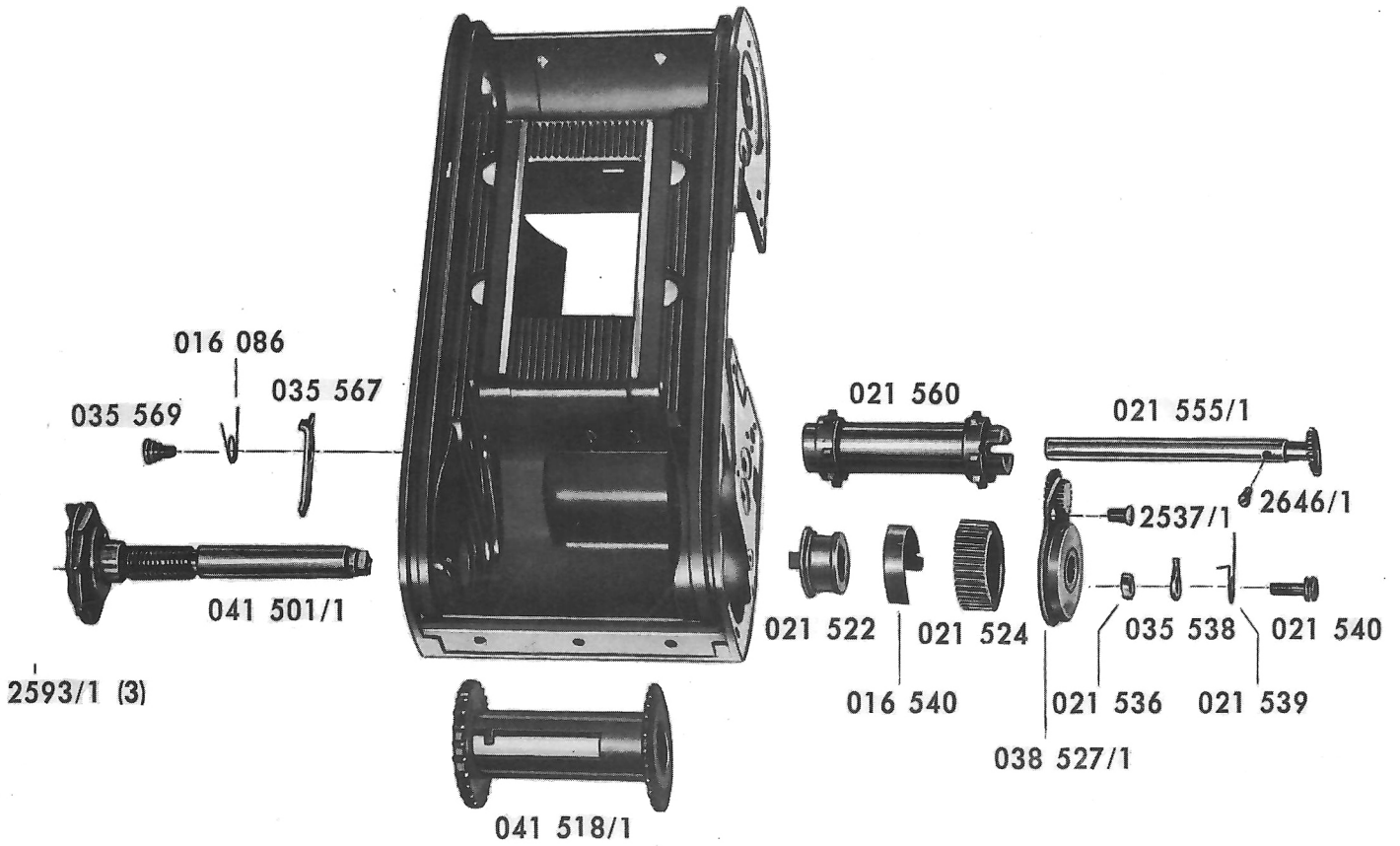


Fig. 17

| Fig. | Teil-Nr. Part-No. | Benennung | Part Name | Stück Reqd. | Anmerkng. Notes | |
|-----------|----------------------|-------------------------------------|----------------------------------|-----------------|--------------------|---|
| 18 | 023 150 | Achse | Pin | 1 | G | |
| | 023 153 | Buchse | Bushing | 1 | a=3,7 mm | |
| | 025 100/1 | Gr. Abdeckklappe | Film cover plate assy | 1 | ⊙D | |
| | 025 152 | Buchse (3,1 mm) | Bushing (3.1 mm) | 1 | | |
| | 025 155 | Schenkelfeder | Tension lever spring | 1 | A, R | |
| | 025 158 | Abdeckblech | Spring retaining plate | 1 | | |
| | 034 157 | Schenkelfeder | Tension lever spring | 1 | A, R | |
| | 041 153 | Buchse | Bushing | 1 | a=3,85mm | |
| | 051 095/1 | Gr. Lagerwinkel | Bearing angle assy | 1 | OD | |
| | 051 111/1 | Gr. Spiegelhalter | Mirror holder assy | 1 | ⊙D | |
| | 2 079/4 | Linsenschraube | Lens head screw | 2 | A | |
| | 2 509/1 | Linsenschraube | Lens head screw | 2 | A | |
| | 19 | 021 013 | Druckfeder | Pressure spring | 1 | R |
| | | 023 014 | Distanzbuchse | Guide stud | 2 | |
| | | 025 027 | Ansatzschraube | Shoulder screw | 1 | |
| 025 148 | | Schraube | Screw | 2 | | |
| 034 024 | | Sperrschieber | Locking slide | 1 | OG | |
| 034 142 | | Haltekinke | Stop pawl | 1 | N | |
| 034 144 | | Lagerniet | Bearing rivet | 2 | N | |
| 034 146 | | Schenkelfeder | Tension lever spring | 1 | R | |
| 041 015 | | Abdeckleiste | Back latch plate | 1 | | |
| 041 040 | | Führungsbolzen | Guide pin | 3 | OG | |
| 041 130 | | Druckfeder | Pressure spring | 2 | | |
| 041 139 | | Druckfeder | Pressure spring | 1 | | |
| 041 145/1 | | Gr. Sperrhebel | Stop lever assy | 1 | N | |
| 051 002 | | Gehäuse | Case | 1 | OH 1) | |
| 051 010/1 | | Gr. Zuhaltungsschieber | Back latch assembly | 1 | | |
| 051 115/1 | | Gr. Justierplatte | Adjusting plate assy | 1 | ⊙A | |
| 051 125/1 | | Gr. Schieber (Abdeck- klappe) | Slide assy (film cover plate) | 1 | ⊙A | |
| 051 132/1 | | Gr. Schieber (Spiegel) | Slide assy (mirror) | 1 | ⊙A | |
| 051 135/1 | | Gr. Schieber (Spiegel- freigabe) | Slide assy (mirror release) | 1 | | |
| 051 140 | | Führungsblech | Slide guide plate | 1 | N | |
| 051 140/1 | | Gr. Führungsblech | Slide guide plate assy | 1 | OG | |
| 051 143 | | Exzenter | Eccentric | 1 | N | |
| 2 114/1 | | Senkschraube | Countersunk screw | 2 | | |
| 2 596/4 | Zylinderschraube | Fillister head screw | 1 | | | |
| 4 702/0 | Scheibe | Washer | 3 | | | |

1) 051 002/2 Gr. Gehäuse, enthält fol. Case assy, contains the foll.
in Fig. 19 gezeigte Teile: parts shown in Fig. 19:
023 014(2); 025 027; 034 024; 041 040(3); 051 002

Fig. 18

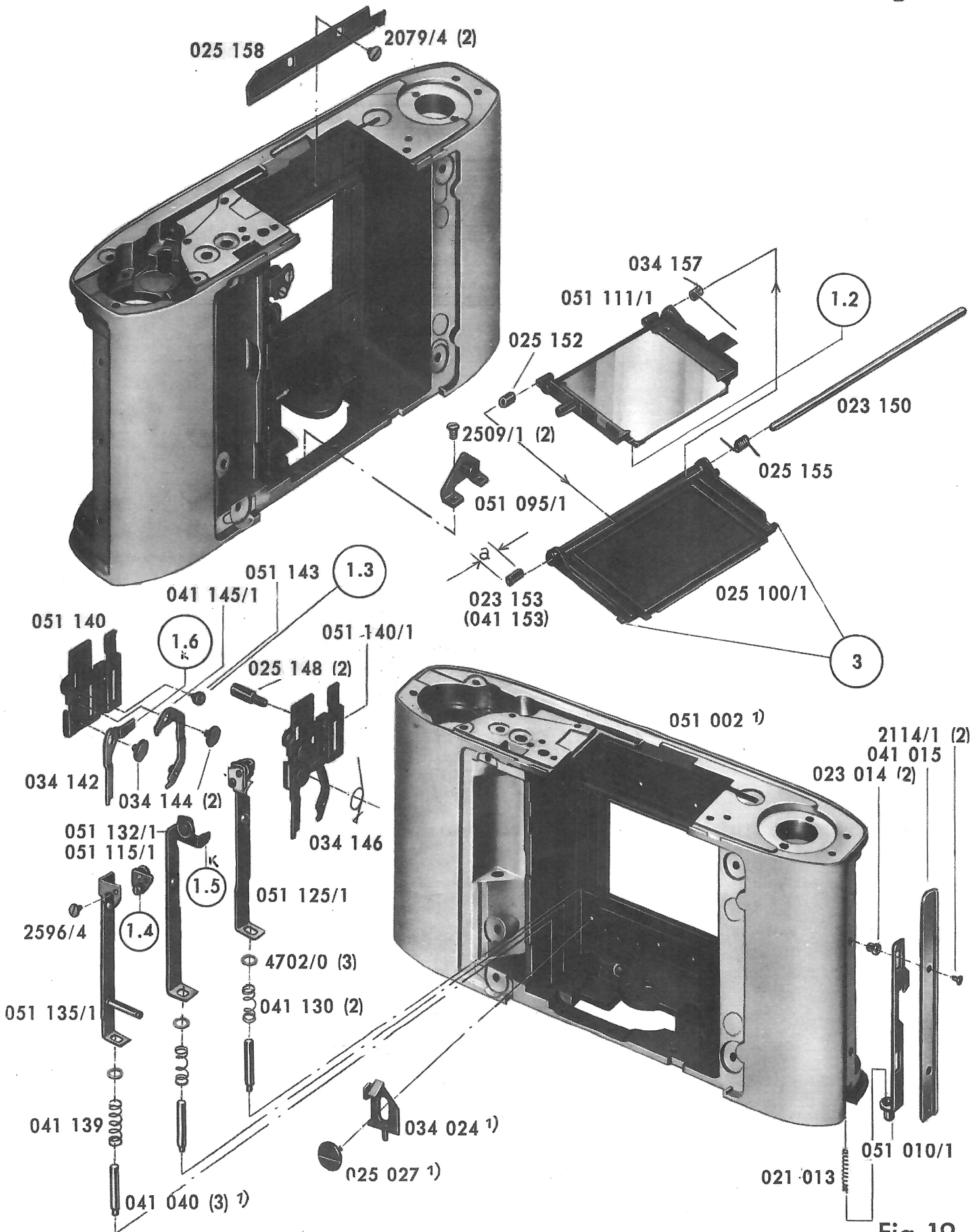
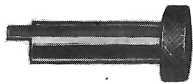


Fig. 19

Sonderwerkzeuge - Special Service Tools

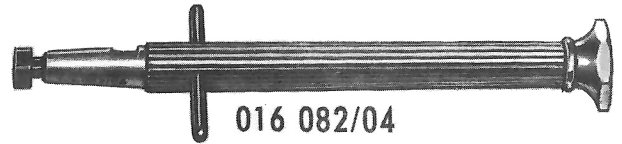
| Werkzg. -Nr. Tool-No. | Benennung | Name | Anwendg. bei Used for | Fig. |
|--------------------------|------------------------------|-------------------------|--------------------------|-------|
| 016 082/04 | Steckschlüssel | Socket wrench | 021 564 | 14 |
| 025 753/106 | Steckschlüssel | Socket wrench | 025 753 | 3 |
| 521 800/117 | Steckschlüssel | Socket wrench | 021 550 | 15 |
| 525 800/216 | Mattscheibe | Ground glass screen | 6.2 | 3 |
| 527 800/112 | Montagehaken | Assembly hook | 041 263 | 6, 13 |
| 527 800/113 | Montagenadel | Assembly pin | 041 263 | 6, 13 |
| 532 800/115 | Verschlußspann- schlüssel | Shutter cocking tool | 051 805 | 9 |
| 534 800/109 | Schlüssel | Wrench | 025 170/1 | 8 |
| 534 800/112 | Verschlußspann- schlüssel | Shutter cocking tool | 034 230 | 9 |
| 534 800/114 | Spannschlüssel | Tensioning tool | 051 191/1 | 8 |
| 534 800/119 | Schränkschlüssel | Adjusting tool | 1.5+1.6 | 19 |
| 534 800/204 | Meßauflage | Measuring support | 5.1 | 8 |
| 541 800/120 | Justiergriff | Adjusting knob | 1.7 | 17 |
| 541 800/121 | Montagevorrichtung | Mounting device | 051 191/1 | 8 |
| 541 800/122 | Prüfstück | Gauge | Function | 8 |
| 541 800/125 | Justiernadel | Adjusting needle | 7.1 | 3 |
| 541 800/129 | Zange | Pliers | 041 760 | 3 |
| 541 800/130 | Abdeckkappe | Cover cap | 7.1 | 3 |
| 541 800/204 | Stecklehre | Locating gauge | 7.1+7.2 | 3 |



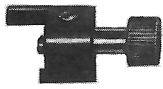
534 800/114



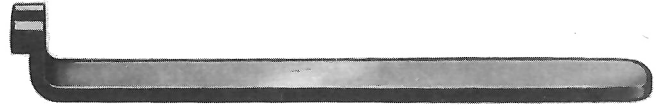
541 800/120



016 082/04



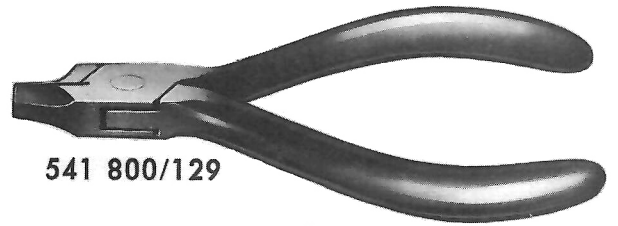
541 800/121



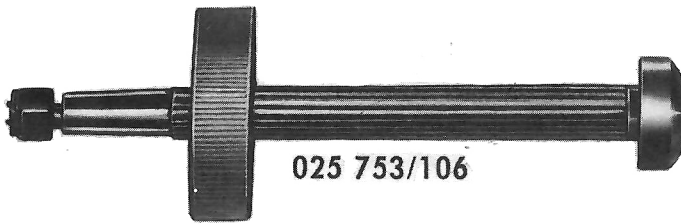
534 800/119



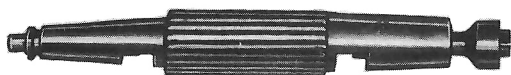
521 800/117



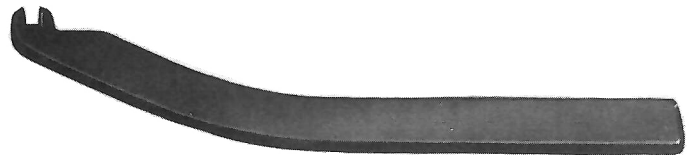
541 800/129



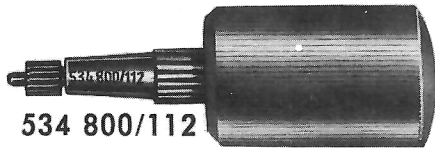
025 753/106



532 800/115



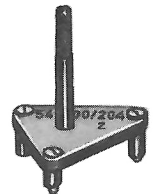
534 800/109



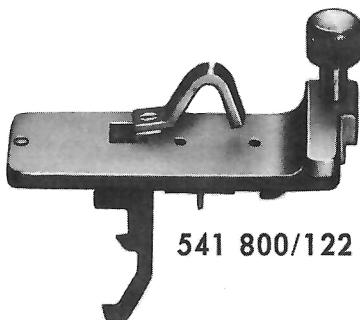
534 800/112



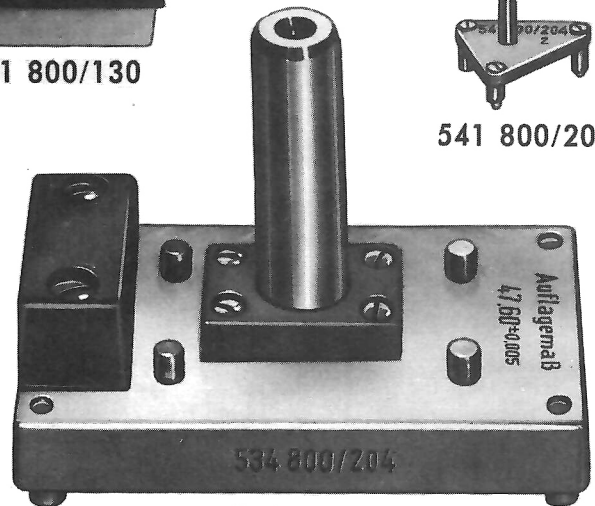
541 800/130



541 800/204

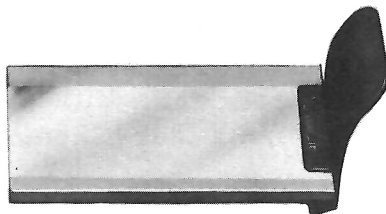


541 800/122



534 800/204

534 800/204



525 800/216



527 800/113



541 800/125



527 800/112

Schmier- und Klebstoffe - Lubricants and Adhesives

| | Sorte Type | Zusammensetzung (Bezeichnung) Compound (Name) |
|----------------------------------|---------------|--|
| Öle Oils | A | Knochenöl - Bone oil |
| Fette Grease | D | Nicht emulgierendes, verseiftes Fett (Lithium-Basis), welches Molybändisulfidzusätze enthält, z. B. Aeronix 30, zu beziehen durch Firma Alfred Jarosch, Heidelberg. |
| | E | Talg - Tallow |
| | F | Vaseline |
| Schmier- stoffe Lubricants | G | Molykote G. Zu beziehen durch Molykote KG, München 19, Arnulfstr. 71 Available through the Alpha Corp., Greenwich, Conn., U. S. A. |
| Klebstoffe Adhesives | K | Zähflüssige, fadenziehende Lösung eines Polyvinilharzes in schnellverdunstenden Lösungsmitteln, z. B. Hetzolin Nr. 833, zu beziehen durch Firma Hetzel & Co., Stuttgart-Obertürkheim; oder UHU, zu beziehen durch UHU-Werk, H. u. M. Fischer, Bühl/Baden. Visciditeous, ropy solvent of Polyvinil-Resin in form of a volatilizing solvent, e. g. Hetzolin No. 833, available through the firm of Hetzel & Co., Stuttgart-Obertürkheim; or UHU-Adhesives, available through the UHU Facotry H. & M. Fischer, Bühl/Baden. |
| | L | Zähflüssiger Kontakt-Kleber auf Kunstkautschuk-Basis (Polychloroprene bzw. Neoprene), lösungsmittelhaltig, vorzugsweise schwarz eingefärbt, z. B. Ultraplast M schwarz, zu beziehen durch Firma Isar-Chemie GmbH, München 9. Visciditeous contact adhesive based on artificial caoutchouc (polychloroprene respectively neoprene), containing an organic solvent, preferably black dyed, e. g. Ultraplast M black, available through the firm of Isar-Chemie GmbH, München 9. |

| Fig. | Adjg. Point | Specification and Site (Part) | Master Gauges a. Equipment | Test Values and Adjusting Demands | Notes |
|------|---------------|---|----------------------------|--|--|
| | 7.4 (58.0) | <u>Measuring range limits</u> (red mark) a) lower limit: LV 3, b) upper limit: LV 15, Eccentric on lever for red mark on Exposure meter 051 940/2. | Mechanism setting: 17 DIN. | a) Beginning of movement LV 3 + 1/3 time: B; diaphr.: 4 - 1/2 End of movement LV 2, 5 + 1/3 time: B; diaphr.: "3. 3" - 1/2 b) Beginning of movement LV 15 + 1/2 1/250 sec; diaphr. 11 - 1/3 End of movement LV 16 + 1/2 1/250 sec; diaphr. 16 - 1/3. | By adjusting on eccentric it is only possible to change the range of indication, but it is not extended nor reduced. |

Teile Liste - Parts List

| Teil-Nr. Part-No. | Benennung | Part Name | Stück Reqd. | Fig. | |
|----------------------|-----------------------|-----------------------|----------------|------|---|
| 016 086 | Schenkelfeder | Tension lever spring | 1 | 16 | R |
| 016 302 | Blattfeder | Leaf spring | 2 | 2 | |
| 016 334/1 | Gr. Filmandrückplatte | Film tension padassy | 1 | 2 | R |
| 016 540 | Friktionsfeder | Clutch spring | 1 | 16 | |
| 016 616 | Zählscheibe | Counter dial | 1 | 7 | |
| 021 013 | Druckfeder | Pressure spring | 1 | 19 | R |
| 021 104 | Zuhaltungsriegel | Back latch | 1 | 2 | N |
| 021 121/1 | Gruppe Scharnier | Back hinge assy | 1 | 2 | N |
| 021 295 | Verstärkungsplatte | Reinforcement plate | 1 | 2 | N |
| 021 309 | Gleitrolle | Film roller | 1 | 2 | N |
| 021 522 | Mitnehmerbuchse | Clutch | 1 | 16 | |
| 021 524 | Zahnradbuchse | Clutch gear | 1 | 16 | |
| 021 536 | Buchse | Bushing | 1 | 16 | |
| 021 539 | Schenkelfeder | Tension lever spring | 1 | 16 | R |
| 021 540 | Lagerschraube | Bearing screw | 1 | 16 | |
| 021 550 | Abschlußschraube | Winding shaft screw | 1 | 15 | R |
| 021 555/1 | Gr. Transportachse | Sprocket shaft assy | 1 | 16 | |
| 021 560 | Transportrolle | Sprocket | 1 | 16 | |
| 021 563 | Druckfeder | Pressure spring | 1 | 14 | R |
| 021 564 | Umschaltknopf | Rewind release button | 1 | 14 | R |
| 021 574 | Schenkelfeder | Tension lever spring | 1 | 14 | R |
| 021 578 | Justierschraube | Adjusting screw | 1 | 14 | R |
| 021 594 | Führungsbuchse | Cartridge bearing | 1 | 7 | |
| 021 595 | Stativmutter | Tripod socket | 1 | 7 | R |
| 022 755 | Isolierbuchse | Insulating bushing | 1 | 3 | |
| 023 014 | Distanzbuchse | Guide stud | 2 | 19 | |
| 023 150 | Achse | Pin | 1 | 18 | |
| 023 153 | Buchse | Bushing | 1 | 18 | |
| 023 290 | Rückdeckel | Main back | 1 | 2 | N |

Nachtrag - Supplement

Datum
Date

.....

| Teil-Nr. Part-No. | Benennung | Part Name | Stück Reqd. | Fig. | |
|----------------------|-------------------------|--------------------------|----------------|------|---|
| 023 292 | Inneres Rückdeckelblech | Inner back plate | 1 | 2 | N |
| 023 293 | Abschlußleiste | Closing overlap | 1 | 2 | N |
| 023 350 | Abdeckscheibe | Closing plate | 3 | 6 | |
| 023 637 | Lagerschraube | Bearing screw | 1 | 13 | |
| 025 027 | Ansatzschraube | Shoulder screw | 1 | 19 | |
| 025 035 | Ansatzschraube | Shoulder screw | 2 | 17 | |
| 025 037 | Zugfeder | Tension spring | 1 | 17 | R |
| 025 038 | Querstift | Pin | 1 | 17 | |
| 025 100/1 | Gr. Abdeckklappe | Film cover plate assy | 1 | 18 | |
| 025 148 | Schraube | Screw | 2 | 19 | |
| 025 152 | Buchse | Bushing | 1 | 18 | |
| 025 155 | Schenkelfeder | Tension lever spring | 1 | 18 | R |
| 025 158 | Abdeckblech | Spring retaining plate | 1 | 18 | |
| 025 161 | Spiegelhaltehebel | Mirror retaining lever | 1 | 17 | |
| 025 162 | Lagerwinkel | Angular bracket | 1 | 17 | |
| 025 168 | Lagerniet | Bearing rivet | 1 | 17 | |
| 025 170/1 | Gr. Steuerwelle | Governing shaft assy | 1 | 8 | |
| 025 196 | Abschirmblech | Light shield | 1 | 17 | |
| 025 290/2 | Gruppe Rückdeckel | Back assembly | 1 | 1 | R |
| 025 355 | Rückdeckel-Bezug | Back covering | 1 | 2 | R |
| 025 607 | Lederscheibe | Covering disk | 1 | 7 | R |
| 025 753 | Abschlußschraube | Housing screw | 1 | 3 | |
| 026 793/1 | Gr. Kontaktnippelträger | Contact pin bearing assy | 1 | 11 | N |
| 027 030/1 | Gr. Spannhebel | Tensioning lever assy | 1 | 14 | |
| 027 032 | Lagerschraube | Bearing screw | 1 | 14 | |
| 027 033 | Schenkelfeder | Tension lever spring | 1 | 14 | R |
| 034 024 | Sperrschieber | Locking slide | 1 | 19 | |
| 034 030 | Druckfeder | Pressure spring | 1 | 7 | R |
| 034 032 | Sperrschieber | Locking slide | 1 | 17 | |
| 034 142 | Haltekinke | Stop pawl | 1 | 19 | |
| 034 144 | Lagerniet | Bearing rivet | 2 | 19 | N |
| 034 146 | Schenkelfeder | Tension lever spring | 1 | 19 | R |
| 034 157 | Schenkelfeder | Tension lever spring | 1 | 18 | R |

Nachtrag - Supplement

Datum
Date

| | | | | | |
|-------|-------|-------|-------|-------|-------|
| | | | | | |
| | | | | | |
| | | | | | |
| | | | | | |
| | | | | | |

| Teil-Nr. Part-No. | Benennung | Part Name | Stück Reqd. | Fig. |
|----------------------|----------------------------|---------------------------------------|----------------|------|
| 034 212 | Ansatzschraube | Shoulder screw | 1 | 10 |
| 034 213/1 | Gr. Auslösekl. Klinke I | Release lever assy I | 1 | 11 |
| 034 215 | Auslösekl. Klinke II | Release lever II | 1 | 11 N |
| 034 230 | Zahnrad | Gear | 1 | 9 R |
| 034 231 | Distanzbuchse | Bushing | 1 | 9 |
| 034 232 | Ansatzschraube | Shoulder screw | 1 | 9 |
| 034 233 | Gleitrolle | Roller | 1 | 11 N |
| 034 235 | Lagerniet | Bearing rivet | 1 | 11 N |
| 034 242/1 | Trennschalter | Switch | 1 | 11 |
| 034 249 | Bezug | Covering | 1 | 11 R |
| 034 252 | Zahnstange | Rack | 1 | 10 |
| 034 263 | Lagerblech | Bearing plate | 1 | 10 |
| 034 265/1 | Gr. Steuerhebel | Shutter release control lever assy | 1 | 9 |
| 034 280 | Bezug | Covering | 1 | 11 R |
| 034 282 | Bezug | Covering | 1 | 11 R |
| 034 286 | Isolierscheibe | Insulating disk | 1 | 11 R |
| 034 287 | Kontaktdraht I | Contact wire I | 1 | 11 |
| 034 289 | Zahnrad | Gear | 1 | 10 |
| 034 926 | Klinke | Control bracket | 1 | 10 |
| 034 932 | Lagerbolzen | Bearing bolt | 1 | 11 |
| 034 942 | Zahnrad | Gear | 1 | 10 |
| 034 945 | Blattfeder | Leaf spring | 1 | 9 |
| 035 538 | Sperrklinke | Drive gear pawl | 1 | 16 |
| 035 567 | Umschalthebel | Rewind release dog | 1 | 16 |
| 035 569 | Ansatzschraube | Shoulder screw | 1 | 16 |
| 038 527/1 | Gr. Lagerbuchse | Bracket assy | 1 | 16 |
| 038 532 | Zahnrad | Gear | 1 | 15 |
| 038 543 | Schenkelfeder | Tension lever spring | 1 | 15 R |
| 038 544 | Mitnehmerscheibe | Winding shaft cam | 1 | 15 |
| 038 545 | Mitnehmer | Winding shaft pawl | 1 | 15 R |
| 038 546 | Abdeckscheibe | Washer | 1 | 15 |
| 040 602/1 | Gr. Aufzughebel | Winding lever assy | 1 | 7 R |
| 040 638 | Rückspullager | Rewind post bearing | 1 | 13 |

Nachtrag - Supplement

Datum
Date

| | | | | |
|-------|-------|-------|-------|-------|
| | | | | |
| | | | | |
| | | | | |
| | | | | |
| | | | | |

| Teil-Nr. Part-No. | Benennung | Part Name | Stück Reqd. | Fig. |
|----------------------|------------------------|----------------------|----------------|------|
| 041 015 | Abdeckleiste | Back latch plate | 1 | 19 |
| 041 034 | Gewindebolzen | Threaded bolt | 1 | 14 |
| 041 040 | Führungsbolzen | Guide pin | 3 | 19 |
| 041 064 | Schenkelfeder | Tension lever spring | 1 | 7 R |
| 041 130 | Druckfeder | Pressure spring | 2 | 19 |
| 041 139 | Druckfeder | Pressure spring | 1 | 19 |
| 041 145/1 | Gr. Sperrhebel | Stop lever assy | 1 | 19 |
| 041 150/1 | Gr. Winkelblech | Bearing angle assy | 1 | 13 |
| 041 153 | Buchse | Bushing | 1 | 18 |
| 041 161/1 | Gr. Spiegelhalteblech | Mirror retaining | 1 | 17 |
| 041 165 | Justierbolzen | Adjusting bolt | 1 | 17 |
| 041 209 | Abdeckplättchen | Screening plate | 1 | 10 |
| 041 210 | Halteschraube | Screw | 1 | 10 |
| 041 211 | Lagerschraube | Shoulder screw | 1 | 10 |
| 041 217 | Zugfeder | Tension spring | 1 | 10 |
| 041 247 | Schutzeinlage | Leather pad | 1 | 10 |
| 041 248 | Abdeckleder | Screening leather | 1 | 15 |
| 041 251 | Bezug | Covering | 1 | 11 R |
| 041 252 | Bezug | Covering | 1 | 11 R |
| 041 263 | Übertragungsschnur | Transmission cord | 1 | 13 R |
| 041 270 | Abdeckwinkel | Cover plate | 1 | 9 |
| 041 288 | Kontaktdraht II | Contact wire II | 1 | 11 |
| 041 357 | Bezug, rechte Seite | Covering, right side | 1 | 6 R |
| 041 358 | Bezug, linke Seite | Covering, left side | 1 | 6 R |
| 041 501/1 | Gr. Hauptachse | Winding shaft assy | 1 | 16 |
| 041 518/1 | Gr. Filmspule | Take-up spool assy | 1 | 16 R |
| 041 549 | Antriebsrad | Winding shaft gear | 1 | 15 R |
| 041 577 | Schraubenfeder | Pressure spring | 1 | 14 |
| 041 616 | Zahnstange | Setting rack | 1 | 13 R |
| 041 643 | Seilrolle | Cable pulley | 2 | 13 |
| 041 644 | Lagerschraube | Bearing screw | 1 | 13 |
| 041 648 | Abschirmleder | Screening leather | 1 | 13 |
| 041 660/1 | Gr. Seilscheibe | Pulley assembly | 1 | 6 |
| 041 663 | Lagerschraube | Bearing screw | 1 | 6 |
| 041 673 | Distanzbolzen | Distance bolt | 1 | 6 |
| 041 683 | Schutzeinlage | Guard plate | 2 | 4 |
| 041 724 | Einblickfensterfassung | Eyepiece mount | 1 | 5 N |

Nachtrag - Supplement

Datum
Date

| | | | | |
|-------|-------|-------|-------|-------|
| | | | | |
| | | | | |
| | | | | |
| | | | | |
| | | | | |

| Teil-Nr. Part-No. | Benennung | Part Name | Stück Reqd. | Fig. | |
|----------------------|--------------------------------|------------------------------|----------------|------|----|
| 041 728 | Blende | Eyepiece mask | 1 | 5 | N |
| 041 745/1 | Gr. Abschlußkappe | Cap assy | 1 | 5 | N |
| 041 756 | Zierkappe | Frame | 1 | 3 | |
| 041 760 | Knopf | Button | 1 | 3 | |
| 041 999 | Streuscheibe | Diffusing screen | 1 | 1 | |
| 051 002 | Gehäuse | Case | 1 | 19 | |
| 051 002/2 | Gr. Gehäuse | Case assy | 1 | 19 | |
| 051 010/1 | Gr. Zuhaltungsschieber | Back latch assy | 1 | 19 | |
| 051 025/1 | Gr. Unterer Rahmen | Bottom frame assy | 1 | 7 | |
| 051 028 | Oberer Rahmen | Top frame | 1 | 13 | |
| 051 056 | Rückstellfeder | Return spring | 1 | 7 | |
| 051 057 | Indexscheibe | Index disk | 1 | 7 | |
| 051 058 | Zählscheibenmitnehmer | Counter ratchet | 1 | 7 | |
| 051 058/1 | Gr. Zählscheibenmitnehmer | Counter ratchet assy | 1 | 7 | |
| 051 060/1 | Gr. Zähl-Schieber | Counter slide assy | 1 | 7 | |
| 051 070/1 | Gr. Rastfeder-Hebel | Ratchet spring lever assy | 1 | 7 | |
| 051 075 | Schenkelfeder | Tension lever spring | 1 | 7 | R |
| 051 077 | Anschlaghebel | Stop lever | 1 | 7 | |
| 051 078 | Ansatzschraube | Shoulder screw | 1 | 7 | |
| 051 079 | Schenkelfeder | Tension lever spring | 1 | 7 | R |
| 051 095/1 | Gr. Lagerwinkel | Bearing angle assy | 1 | 18 | |
| 051 111/1 | Gr. Spiegelhalter | Mirror holder assy | 1 | 18 | |
| 051 115/1 | Gr. Justierplatte | Adjusting plate assy | 1 | 19 | |
| 051 125/1 | Gr. Schieber (Abdeckklappe) | Slide assy (filmcover plate) | 1 | 19 | |
| 051 132/1 | Gr. Schieber (Spiegel) | Slide assy (mirror) | 1 | 19 | |
| 051 135/1 | Gr. Schieber (Spiegelfreigabe) | Slide assy (mirror release) | 1 | 19 | |
| 051 140 | Führungsblech | Slide guide plate | 1 | 19 | N |
| 051 140/1 | Gr. Führungsblech | Slide guide plate assy | 1 | 19 | |
| 051 143 | Exzenter | Eccentric | 2 | 10 | 19 |
| 051 191/1 | Gr. Nockenscheibe | Cam assembly | 1 | 8 | |
| 051 202 | Objektivträger | Front | 1 | 11 | N |
| 051 202/2 | Gr. Objektivträger | Front assembly | 1 | 10 | |

Nachtrag - Supplement

Datum
Date

| | | | | | |
|-------|-------|-------|-------|-------|-------|
| | | | | | |
| | | | | | |
| | | | | | |
| | | | | | |
| | | | | | |

| Teil-Nr. Part-No. | Benennung | Part Name | Stück Reqd. | Fig. |
|----------------------|----------------------------|-------------------------|----------------|------|
| 051 206 | Schaltdraht | Contact wire | 1 | 10 |
| 051 208 | Auslöseschieber | Release slide | 1 | 10 |
| 051 208/1 | Gr. Auslöseschieber | Release slide assy | 1 | 10 |
| 051 212 | Wollfaden | Wool thread | 2 | 9 |
| 051 220 | Sperrklinke | Pawl | 1 | 11 N |
| 051 222 | Ansatzniet | Shoulder rivet | 1 | 11 N |
| 051 223 | Schenkelfeder | Tension lever spring | 1 | 11 R |
| 051 225 | Exzenterniet | Eccentric rivet | 1 | 11 N |
| 051 245/1 | Gr. Lagerplatte | Bearing plate assy | 1 | 11 |
| 051 254 | Anschlagwinkel | Angular post | 1 | 11 |
| 051 260/1 | Gr. Seiltrommel | Cable drum assy | 1 | 12 |
| 051 275 | Vordere Abdeckplatte | Front frame | 1 | 11 R |
| 051 356 | Bezug Unterseite | Covering, bottom | 1 | 7 |
| 051 380 | Auslöseknopf | Release button | 1 | 6 |
| 051 389 | Abdeckleder | Leather covering | 1 | 6 R |
| 051 570/1 | Gr. Sperrhebel | Wind release assy | 1 | 14 |
| 051 597 | Fixierschraube | Locating screw | 1 | 7 |
| 051 612 | Stativmutterring | Tripot socket ring | 1 | 7 |
| 051 613 | Ledereinlage | Inlay | 1 | 7 |
| 051 630 | Rückspulachse | Rewind post | 1 | 13 R |
| 051 636/1 | Gr. Befestigungswinkel | Bracket assy | 1 | 13 |
| 051 638 | Befestigungswinkel, rechts | Right bracket | 1 | 13 |
| 051 639 | Haarnadelfeder | Spring | 1 | 13 R |
| 051 642 | Gleitrolle | Roller | 1 | 13 |
| 051 675 | Niederhalteblech | Holding down plate | 1 | 13 |
| 051 680/2 | Gruppe Sucher | Viewfinder assy | 1 | 3 |
| 051 682 | Linsenschacht | Finder lens compartment | 1 | 4 |
| 051 684 | Blende | Mask | 1 | 4 |
| 051 685 | Zwischenstück | Separator | 1 | 4 |
| 051 686 | Zwischenlage 0, 1 mm | Spacer 0, 1 mm | 1 | 3 |
| 051 687 | Zwischenlage 0, 2 mm | Spacer 0, 2 mm | 1 | 3 |
| 051 688 | Zwischenlage 0, 3 mm | Spacer 0, 3 mm | 1 | 3 |
| 051 689 | Zwischenlage 0, 4 mm | Spacer 0, 4 mm | 1 | 3 |
| 051 690/1 | Gr. Prisma-Haltewinkel | Prism bracket assy | 1 | 4 |
| 051 692/1 | Gr. Umlenkprisma | Prism assy | 1 | 4 |
| 051 693 | Blende | Mask | 1 | 4 |

Nachtrag - Supplement

Datum
Date

| | | | | | |
|-------|-------|-------|-------|-------|-------|
| | | | | | |
| | | | | | |
| | | | | | |
| | | | | | |
| | | | | | |

| Teil-Nr. Part-No. | Benennung | Part Name | Stück Reqd. | Fig. |
|----------------------|--|---|----------------|------|
| 051 694/1 | Gr. Unterlegplatte | Bearing plate assy | 1 | 4 |
| 051 697 | Abschirmgummi | Rubber pad | 1 | 3 |
| 051 701 | Schaltwerkdeckel | Housing | 1 | 5 N |
| 051 701/2 | Gr. Schaltwerkdeckel | Housing assy | 1 | 3 R |
| 051 702/1 | Gr. Schaltwerkdeckel | Housing assy | 1 | 3 R |
| 051 708 | Buchse | Bushing | 1 | 5 N |
| 051 732/1 | Sockel | Pedestal | 1 | 5 |
| 051 734 | Kontaktbolzen | Contact pin | 1 | 5 |
| 051 736 | Blattfeder | Leaf spring | 1 | 5 |
| 051 737/1 | Gruppe Kontaktfeder | Contact spring assy | 1 | 5 |
| 051 738 | Steckschuh | Clip | 1 | 5 |
| 051 763 | Rückspulausziehachse | Rewind shaft | 1 | 1 |
| 051 764 | Druckfeder | Pressure spring | 1 | 1 |
| 051 765 | Rückspulknopf | Rewind knob | 1 | 1 |
| 051 767 | Kurbelhalter | Crank bearing | 1 | 1 |
| 051 768/1 | Gruppe Blattfeder | Leaf spring assy | 1 | 1 |
| 051 770/2 | Gruppe Kurbel | Crank assy | 1 | 1 R |
| 051 805 | Synchro-Compur- Verschluß | Synchro-Compur-Shutter | 1 | 9 |
| 051 810/5 | Objektiv, Xenar | Lens assy, Xenar | 1 | 3 |
| 051 910/5 | Entfernungsskala m/ft. (in 051 810/5 enthalten) | Distance scale m/ft. (included in 051 810/5) | 1 | 3 |
| 051 940/2 | Gr. Belichtungsmesser | Exposure meter assy | 1 | 3 R |
| 0 273/0 | Fresnellinse | Fresnel's lens | 1 | 4 |
| 0 274/0 | Keillinse | Lens with double wedge | 1 | 4 |
| 0 279/0 | Sucher Okular | Eyepiece glass | 1 | 5 N |
| 0 282/0 | Plankonkavlinse | Plano-concave lens | 1 | 5 N |
| 0 283/5 | Dachkant-Penta-Prisma | Pentaprism | 1 | 4 |
| 0 284/0 | Lupenlinse | Magnifying lens | 1 | 5 N |
| 0 286/0 | Klarsichtfolie | Clear vision foil | 2 | 4 |
| 1 357/4 | Niet | Rivet | 4 | 2 N |
| 1 371/1 | Niet | Rivet | 3 | 2 |
| 1 379/1 | Niet | Rivet | 3 | 2 N |
| 1 380/1 | Niet | Rivet | 6 | 2 N |

Nachtrag - Supplement

Datum
Date

| | | | | | |
|-------|-------|-------|-------|-------|-------|
| | | | | | |
| | | | | | |
| | | | | | |
| | | | | | |
| | | | | | |

| Teil-Nr. Part-No. | Benennung | Part Name | Stück Reqd. | Fig. |
|----------------------|------------------|----------------------|----------------|---------------|
| 2 027/1 | Senkschraube | Countersunk screw | 1 | 13 |
| 2 079/4 | Linsenschraube | Lens head screw | 8 | 9, 11, 17, 18 |
| 2 114/1 | Senkschraube | Countersunk screw | 2 | 19 |
| 2 258/4 | Gewindestift | Grub screw | 1 | 17 |
| 2 467/1 | Senkschraube | Countersunk screw | 2 | 10 |
| 2 490/1 | Gewindestift | Grub screw | 1 | 10 |
| 2 507/1 | Senkschraube | Countersunk screw | 15 | 1, 7, 11 |
| 2 507/6 | Senkschraube | Countersunk screw | 2 | 3 |
| 2 509/1 | Linsenschraube | Lens head screw | 7 | 8, 13, 18 |
| 2 509/4 | Linsenschraube | Lens head screw | 1 | 9 |
| 2 510/1 | Linsenschraube | Lens head screw | 2 | 3 |
| 2 527/1 | Senkschraube | Countersunk screw | 2 | 7 |
| 2 537/1 | Linsenschraube | Lens head screw | 3 | 13, 16 |
| 2 538/6 | Linsenschraube | Lens head screw | 1 | 3 |
| 2 557/0 | Linsenschraube | Lens head screw | 1 | 5 |
| 2 561/0 | Linsenschraube | Lens head screw | 1 | 10 |
| 2 570/4 | Gewindestift | Grub screw | 1 | 3 |
| 2 583/4 | Zylinderschraube | Fillister head screw | 1 | 12 R |
| 2 593/1 | Senkschraube | Countersunk screw | 3 | 16 |
| 2 596/4 | Zylinderschraube | Fillister head screw | 1 | 19 |
| 2 610/1 | Senkschraube | Countersunk screw | 4 | 8 |
| 2 611/4 | Senkschraube | Countersunk screw | 4 | 9 |
| 2 613/4 | Linsenschraube | Lens head screw | 1 | 11 |
| 2 615/0 | Linsenschraube | Lens head screw | 2 | 3 |
| 2 622/6 | Zylinderschraube | Fillister head screw | 1 | 11 |
| 2 623/1 | Gewindestift | Grub screw | 1 | 8 R |
| 2 625/1 | Zylinderschraube | Fillister head screw | 3 | 7 |
| 2 638/1 | Linsenschraube | Lens head screw | 4 | 3, 5, 13 |
| 2 639/6 | Zylinderschraube | Fillister head screw | 1 | 7 |
| 2 646/1 | Zylinderschraube | Fillister head screw | 1 | 16 |
| 2 660/1 | Zylinderschraube | Fillister head screw | 1 | 6 |
| 2 661/1 | Senkschraube | Counter sunk screw | 1 | 7 |
| 2 662/6 | Senkschraube | Counter sunk screw | 2 | 5 |
| 2 663/6 | Senkschraube | Counter sunk screw | 2 | 5 |
| 2 664/4 | Linsenschraube | Lens head screw | 2 | 3 |
| 2 670/0 | Linsenschraube | Lens head screw | 2 | 4 |

Nachtrag - Supplement

Datum
Date

| | | | | | |
|-------|-------|-------|-------|-------|-------|
| | | | | | |
| | | | | | |
| | | | | | |
| | | | | | |
| | | | | | |

| Teil-Nr. Part-No. | Benennung | Part Name | Stück Reqd. | Fig. |
|----------------------|----------------|----------------------------------|----------------|------|
| 4 053/0 | Scheibe | Washer | 1 | 11 |
| 4 060/0 | Isolierscheibe | Insulating disk | 1 | 6 |
| 4 065/0 | Scheibe | Washer | 1 | 7 |
| 4 623/1 | Scheibe | Washer | 1 | 14 |
| 4 658/0 | Scheibe | Washer | 1 | 14 |
| 4 662/1 | Distanzscheibe | Spacer | 2 | 10 |
| 4 670/0 | Scheibe | Washer | 1 | 10 |
| 4 671/0 | Scheibe | Washer | 1 | 10 |
| 4 686/0 | Scheibe | Washer | 1 | 7 |
| 4 694/0 | Scheibe | Washer | 1 | 8 |
| 4 702/0 | Scheibe | Washer | 3 | 19 |
| 4 703/0 | Scheibe | Washer | 1 | 7 |
| 4 976/4 | Federring | Spring washer | 2 | 3 |
| 4 988/4 | Tellerfeder | Plate spring | 12 | 8 |
| 7 159/1 | Steckkerbstift | Half length grooved dowel pin | 1 | 11 |

Beim Bestellen von Teilen immer Teil - Nummer
und - Name angeben.

Always give Part - Number and Name when
ordering parts.

Nachtrag - Supplement

Datum
Date

| | | | | | |
|-------|-------|-------|-------|-------|-------|
| | | | | | |
| | | | | | |
| | | | | | |
| | | | | | |
| | | | | | |

Einzelteile der in den Bild-
tafeln nicht aufgegliederten
Gruppen.

Wir würden jedoch empfehlen, bei Reparaturen die kompletten Gruppen einzubauen.

Component parts of assem-
blies not shown separately in
the illustrations.

We would advice to replace complete assemblies when making a repair.

| Gruppe Assembly | Fig. | Teile Parts | Benennung | Part Name | Stück Reqd. |
|--------------------|------|----------------|---------------------|----------------------------------|----------------|
| 016 334/1 | 2 | 016 334 | Filmandrückplatte | Film tension pad | 1 |
| | | 016 336 | Niet | Rivet | 4 |
| 021 121/1 | 2 | 021 121 | Scharnier | Back hinge | 2 |
| | | 7 050/1 | Scharnierachse | Hinge pin | 1 |
| 021 555/1 | 16 | 021 555 | Transportachse | Sprocket shaft | 1 |
| | | 021 556 | Zahnrad | Gear | 1 |
| 025 100/1 | 18 | 023 102 | Lagerplatte | Base plate | 2 |
| | | 023 103 | Verstärkungsblech | Reinforcement plate | 2 |
| | | 023 105 | Rolle | Roller | 1 |
| | | 023 108 | Lagerniet | Bearing rivet | 1 |
| | | 023 109 | Federeinhängebolzen | Spring bearing rivet | 1 |
| | | 025 100 | Abdeckklappe | Film window cover plate | 1 |
| | | 1 381/4 | Niet | Rivet | 2 |
| 025 170/1 | 8 | 023 175 | Zahnrad | Gear | 1 |
| | | 025 170 | Steuerwelle | Governing shaft | 1 |
| 026 793/1 | 11 | 025 207 | Kontaktnippel | Contact pin | 1 |
| | | 026 793 | Kontaktnippelträger | Contact pin bearing | 1 |
| 027 030/1 | 14 | 027 021 | Rolle I | Roller I | 1 |
| | | 027 022 | Rolle II | Roller II | 1 |
| | | 027 024 | Lagerniet | Bearing rivet | 1 |
| | | 027 030 | Spannhebel | Tensioning lever | 1 |
| 034 213/1 | 11 | 034 213 | Auslöseklinke I | Release lever | 1 |
| | | 034 214 | Lagerbolzen | Bearing bolt | 1 |
| 034 265/1 | 9 | 034 265 | Steuerhebel | Shutter release control lever | 1 |
| | | 034 266 | Bolzen | Bolt | 1 |
| | | 034 268 | Anschlagbolzen | Stop pin | 1 |

| Gruppe Assembly | Fig. | Teile Parts | Benennung | Part Name | Stück Reqd. |
|--------------------|------|----------------|---------------------|--------------------------|----------------|
| 038 527/1 | 16 | 021 529 | Oberes Zahnrad | Top gear | 1 |
| | | 021 530 | Unteres Zahnrad | Low gear | 1 |
| | | 038 527 | Lagerbuchse | Bushing | 1 |
| 040 602/1 | 7 | 040 602 | Aufzughebel | Winding lever | 1 |
| | | 040 603 | Knopf | Button | 1 |
| | | 040 604 | Schutzleinlage | Rubber | 1 |
| | | 040 606 | Hebellager | Fastening plate | 1 |
| 041 145/1 | 19 | 041 145 | Sperrhebel | Stop lever | 1 |
| | | 041 146 | Bolzen | Bolt | 1 |
| 041 150/1 | 13 | 027 021 | Rolle I | Roller I | 1 |
| | | 027 022 | Rolle II | Roller II | 1 |
| | | 041 150 | Winkelblech | Bearing angle | 1 |
| | | 041 151 | Ansatzniet | Shoulder rivet | 1 |
| 041 501/1 | 16 | 016 502 | Rückholfeder | Return spring | 1 |
| | | 021 510 | Sperrscheibe | Ratchet wheel | 1 |
| | | 021 511 | Zwischenscheibe | Intermediate washer | 1 |
| | | 021 513 | Nietbolzen | Winding shaft pin | 3 |
| | | 038 500 | Hauptachse | Winding shaft | 1 |
| | | 041 512 | Sperrrad | Ratchet wheel | 1 |
| | | 041 515 | Lagerbuchse | Bushing | 1 |
| 041 518/1 | 16 | 041 518 | Aufwickelspule | Spool | 1 |
| | | 041 519 | Spulenkern (weiß) | Spool core (white) | 1 |
| 041 660/1 | 6 | 041 660 | Seilscheibe | Cable drum | 1 |
| | | 041 661 | Zahnrad | Gear | 1 |
| 041 745/1 | 5 | 041 745 | Abschlußkappe | Cap | 1 |
| | | 0 249/0 | Plexiglasscheibe | Plexiglass disk | 1 |
| 051 010/1 | 19 | 041 010 | Zuhaltungsschieber | Back latch | 1 |
| | | 051 011 | Knopf | Back latch button | 1 |
| 051 025/1 | 7 | 041 026 | Einstellknopf | Setting knob | 1 |
| | | 041 027 | Scheibe | Washer | 1 |
| | | 051 025 | Unterer Rahmen | Bottom frame | 1 |
| | | 051 029 | Haltestützen | Stud | 1 |
| | | 4 054/0 | Scheibe | Washer | 1 |
| 051 060/1 | 7 | 046 062 | Blattfeder | Leaf spring | 1 |
| | | 051 060 | Bildzähler-Schieber | Counter advance slide | 1 |
| | | 1 369/1 | Niet | Rivet | 1 |

| Gruppe Assembly | Fig. | Teile Parts | Benennung | Part Name | Stück Reqd. |
|--------------------|------|----------------|------------------------------|----------------------|----------------|
| 051 070/1 | 7 | 051 070 | Hebel | Lever | 1 |
| | | 051 072 | Rastfeder | Ratchet spring | 1 |
| | | 1 414/4 | Niet | Rivet | 2 |
| 051 095/1 | 18 | 041 095 | Lagerwinkel | Bearing angle | 1 |
| | | 051 097 | Lagerniet | Bearing rivet | 1 |
| 051 111/1 | 18 | 023 105 | Rolle | Roller | 1 |
| | | 023 108 | Lagerniet | Bearing Rivet | 1 |
| | | 025 114 | Verstärkungsblech | Reinforcement plate | 2 |
| | | 034 111 | Spiegelhalter | Mirror holder | 1 |
| | | 034 120 | Auslösebolzen | Release pin | 1 |
| | | 051 112 | Federblech | Spring plate | 1 |
| | | 051 113 | Anschlagleiste | Stop rail | 2 |
| | | 0 278/9 | Spiegel | Mirror | 1 |
| | | 1 416/4 | Niet | Rivet | 4 |
| 051 115/1 | 19 | 051 115 | Justierplatte | Adjusting plate | 1 |
| | | 051 116 | Rolle | Roller | 1 |
| | | 051 117 | Lagerniet | Bearing rivet | 1 |
| | | 051 118 | Exzenter | Eccentric | 1 |
| 051 125/1 | 19 | 023 639 | Scheibe | Washer | 1 |
| | | 025 127 | Übertragungsfeder | Transmission spring | 1 |
| | | 025 128 | Lagerniet | Bearing rivet | 1 |
| | | 051 125 | Abdeckklappen- Schieber | Cover plate slide | 1 |
| | | 1 382/4 | Niet | Rivet | 1 |
| 1 413/9 | Niet | Rivet | 1 | | |
| 051 132/1 | 19 | 023 639 | Scheibe | Washer | 1 |
| | | 034 133 | Lagerniet | Bearing rivet | 1 |
| | | 051 132 | Spiegel-Schieber | Mirror slide | 1 |
| | | 1 413/9 | Niet | Rivet | 1 |
| 051 135/1 | 19 | 051 135 | Spiegelfreigabe- Schieber | Mirror release slide | 1 |
| | | 051 138 | Bolzen | Bolt | 1 |
| | | 1 413/9 | Niet | Rivet | 1 |
| 051 191/1 | 8 | 034 191 | Nockenscheibe | Cam | 1 |
| | | 034 194 | Rückholfeder | Return spring | 1 |
| | | 051 193 | Zahnrad | Gear | 1 |

| Gruppe Assembly | Fig. | Teile Parts | Benennung | Part Name | Stück Reqd. |
|--------------------|------|----------------|---------------------|---------------------------|----------------|
| 051 245/1 | 11 | 027 225 | Zahnrad | Gear | 1 |
| | | 027 241 | Zahnrad | Gear | 1 |
| | | 027 245 | Federscheibe | Spring plate | 1 |
| | | 027 261 | Zahnrad | Gear | 1 |
| | | 034 226 | Lagerniet | Bearing rivet | 1 |
| | | 034 248 | Lagerbolzen | Bearing bolt | 1 |
| | | 041 240 | Einstellrad | Setting wheel | 1 |
| | | 041 242 | Scheibe | Washer | 1 |
| | | 051 245 | Lagerplatte | Bearing plate | 1 |
| | | 051 246 | Lagerbuchse | Bushing | 1 |
| 051 260/1 | 12 | 051 260 | Seiltrommel | Cable drum | 1 |
| | | 1 415/9 | Niet | Rivet | 1 |
| 051 570/1 | 14 | 021 570 | Sperrhebel | Wind pawl | 1 |
| | | 021 571 | Federeinhängebolzen | Spring bearing rivet | 1 |
| | | 041 572 | Achse | Pin | 1 |
| 051 636/1 | 13 | 051 636 | Befestigungswinkel | Mounting bracket | 1 |
| | | 051 637 | Rastfeder | Stop spring | 1 |
| | | 1 371/1 | Niet | Rivet | 1 |
| 051 690/1 | 4 | 041 691 | Polster | Cushion | 4 |
| | | 051 690 | Haltewinkel | Prism mounting bracket | 1 |
| 051 692/1 | 4 | 051 692 | Winkel | Angle | 1 |
| | | 0 285/0 | Umlenkprisma | Prism | 1 |
| 051 694/1 | 4 | 051 694 | Unterlegplatte | Bearing plate | 1 |
| | | 051 695 | Blende | Mask | 1 |
| | | 0 280/9 | Einblickspiegel | Okular mirror | 1 |
| | | 0 281/9 | Spiegel | Mirror | 3 |
| 051 737/1 | 5 | 036 778 | Schaltdraht | Contact wire | 1 |
| | | 051 737 | Kontaktfeder | Contact spring | 1 |
| 051 768/1 | 1 | 051 768 | Blattfeder | Leaf spring | 1 |
| | | 051 769 | Niet | Rivet | 1 |
| 051 770/2 | 1 | 051 770/1 | Kurbel | Crank | 1 |
| | | 051 775 | Lagerbuchse | Bushing | 1 |
| | | 051 776 | Griff | Handle | 1 |

| Gruppe Assembly | Fig. | Teile Parts | Benennung | Part Name | Stück Reqd. |
|--------------------|------|----------------|-------------------------------------|--|----------------|
| 051 940/2 | 3 | 136 R 78 b | Belichtungsmesser von Fa. Gossen | Exposure meter from firm of Gossen | 1 |
| | | 041 950 | Meßwerkgehäuse | Mechanism housing | 1 |
| | | 041 957 | Gehäusekappe | Housing cap | 1 |
| | | 041 958 | Mutter | Nut | 1 |
| | | 041 972 | Zahnrad | Gear | 1 |
| | | 041 993 | Zahnrad | Gear | 1 |
| | | 041 994 | Zahnrad | Gear | 1 |
| | | 041 998 | Federscheibe | Spring plate | 1 |
| | | 051 996 | Einstellscheibe | Setting disk | 1 |

