

Corrected to DECEMBER 1959

PARTS LIST No. 5525

# **KODAK RETINA III S CAMERA**

**WITH**

**SYNCHRO COMPUR SHUTTER**

**AND**

**Kodak Retina Field Case**

**Models C and D**



**EASTMAN KODAK COMPANY, ROCHESTER 4, N.Y.**

# KODAK RETINA III S CAMERA

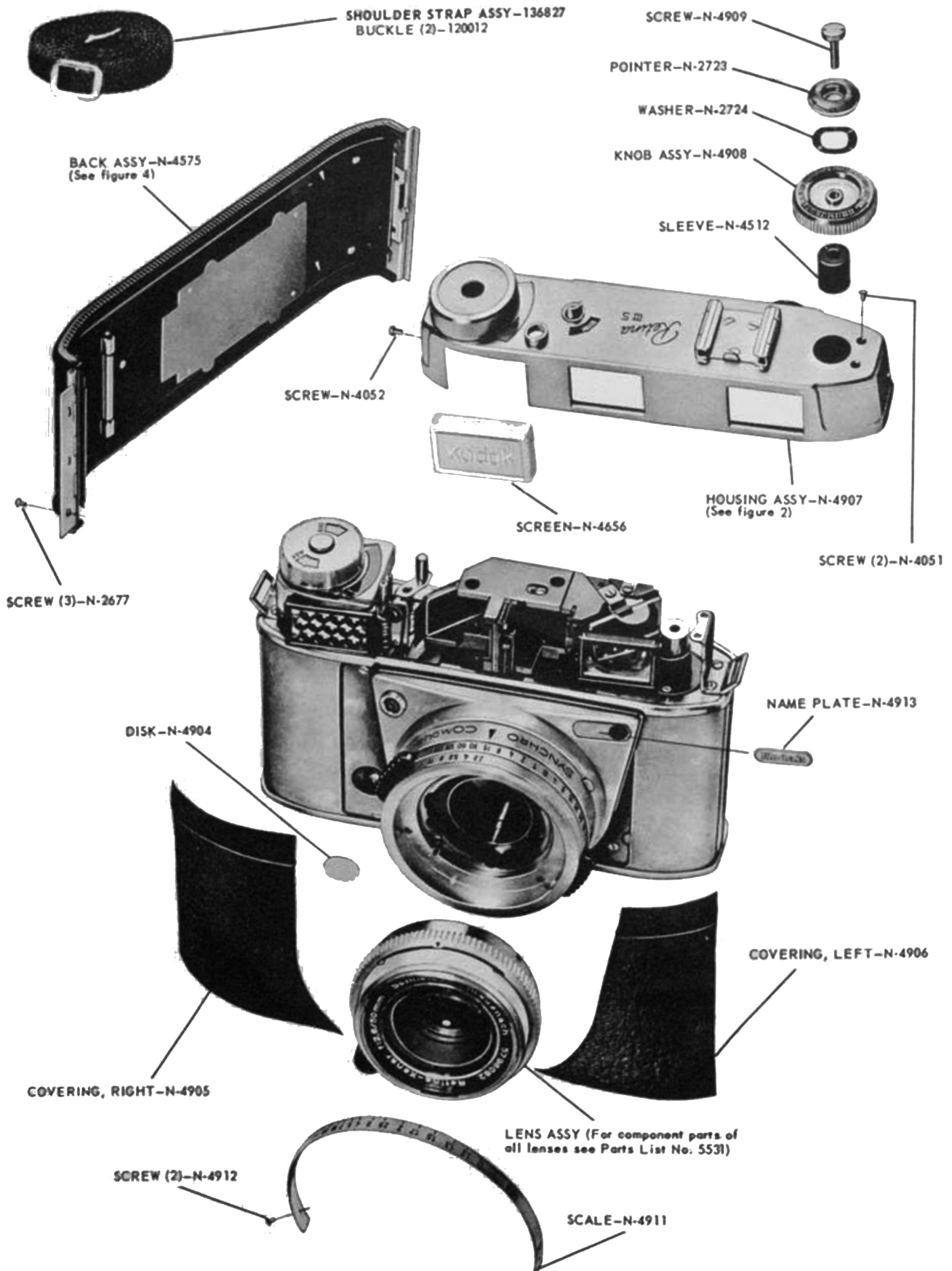


FIGURE 1

Always give PART NUMBER and NAME when ordering parts

# KODAK RETINA III S CAMERA

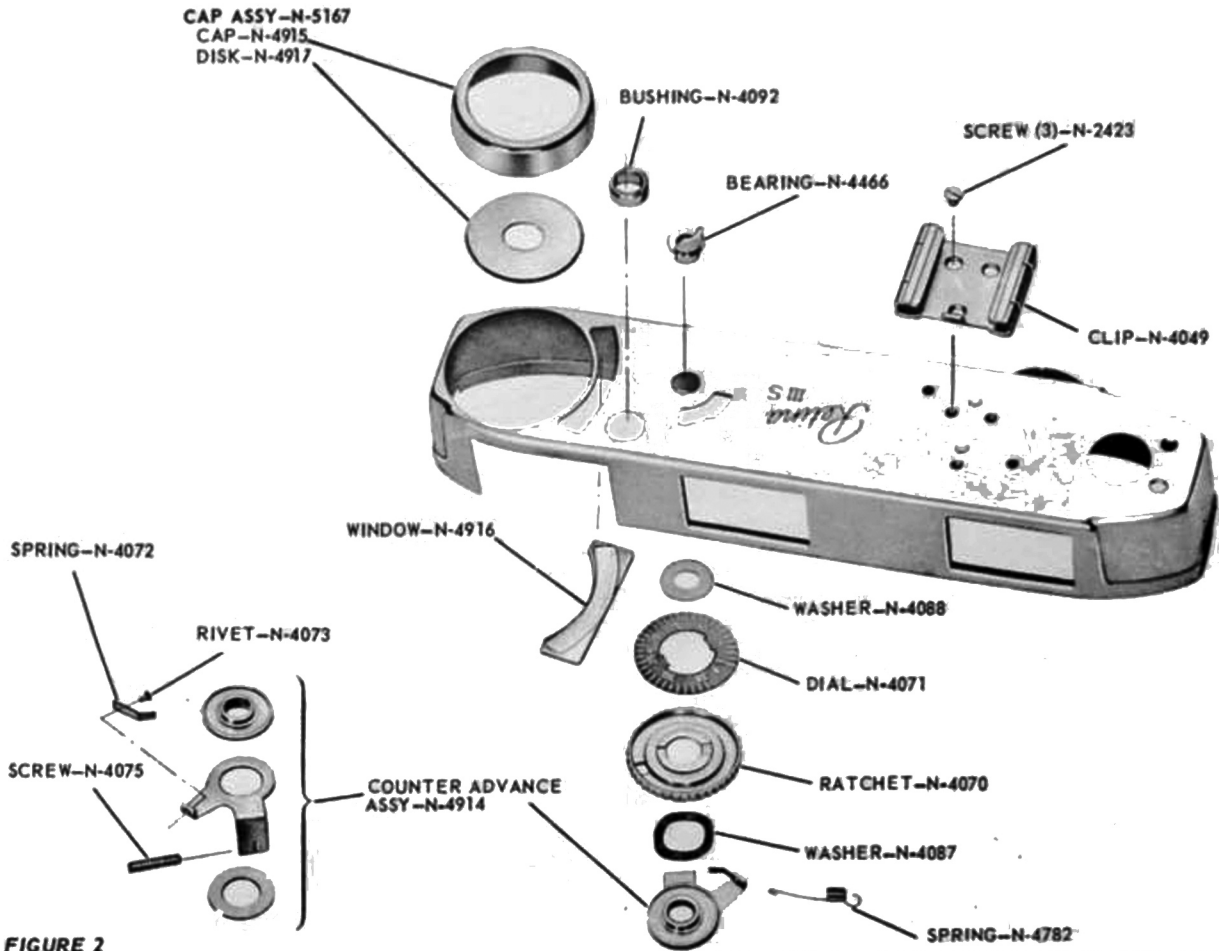


FIGURE 2

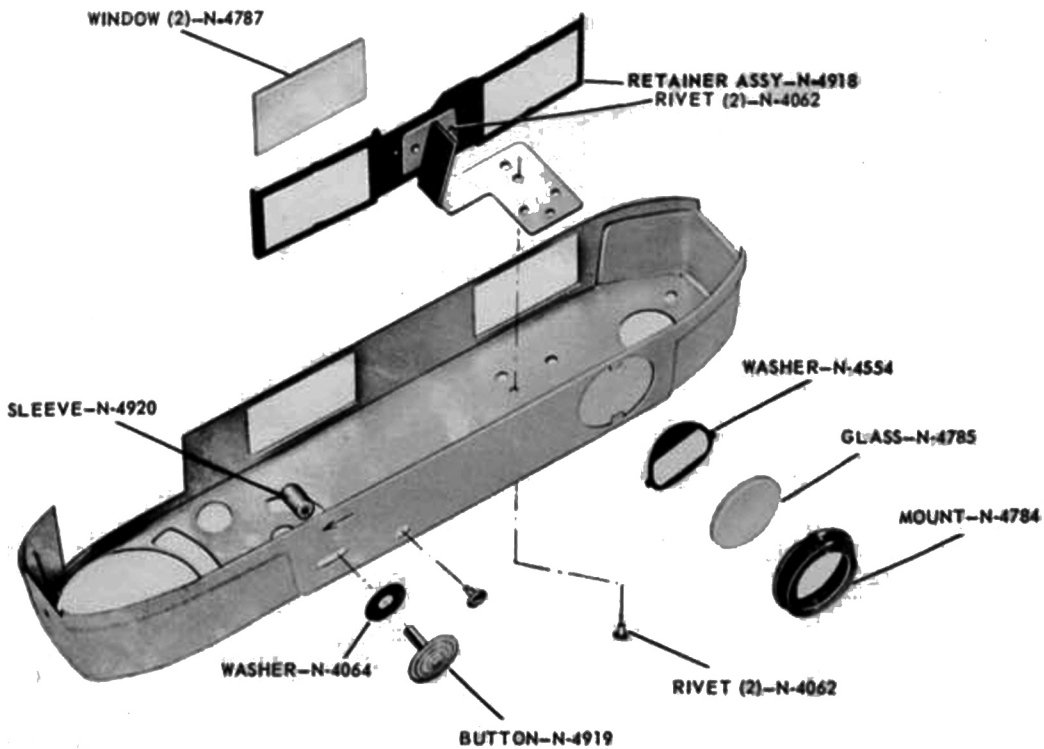


FIGURE 3

Always give PART NUMBER and NAME when ordering parts

# KODAK RETINA III S CAMERA

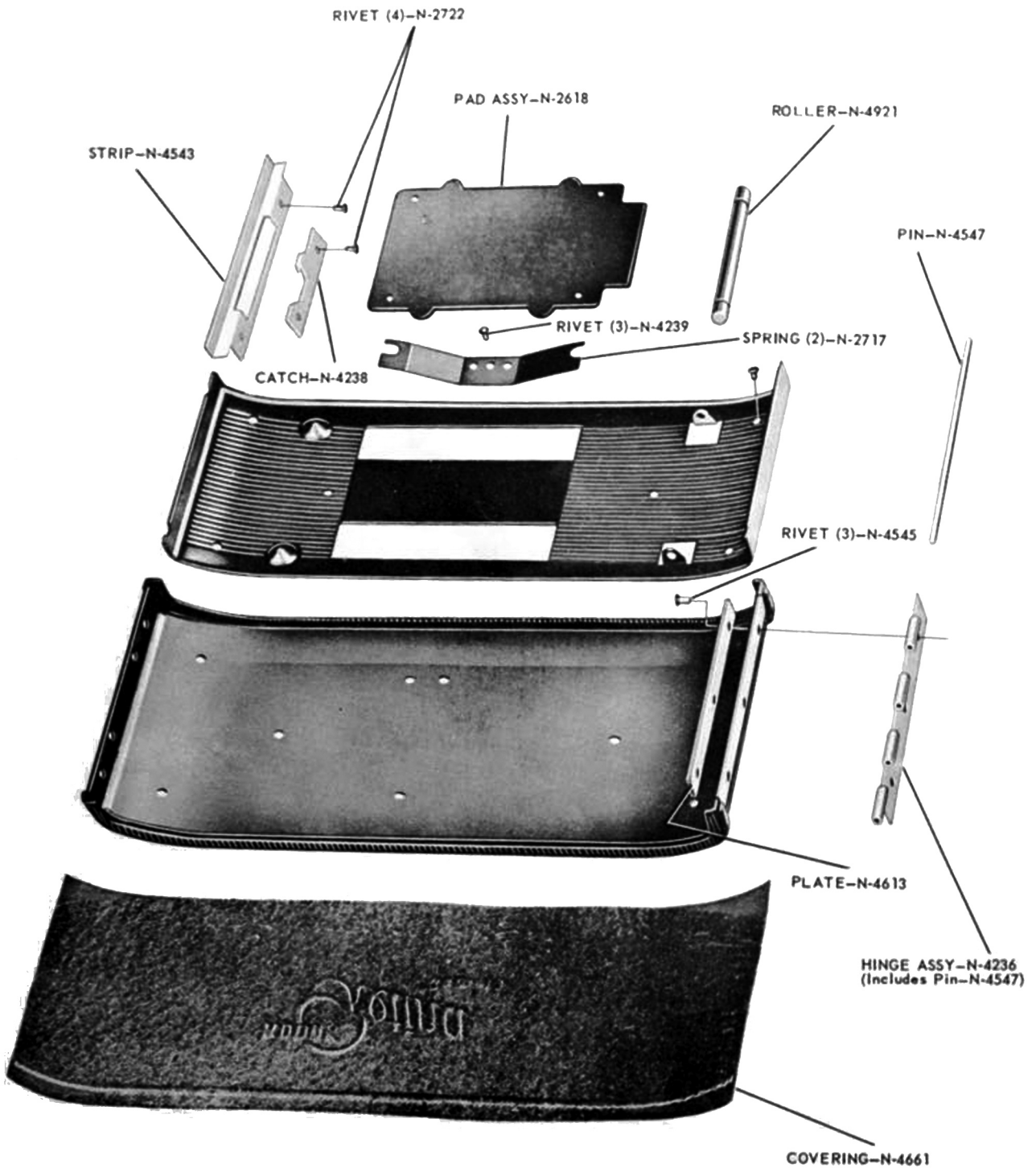


FIGURE 4

Always give PART NUMBER and NAME when ordering parts

# KODAK RETINA III S CAMERA

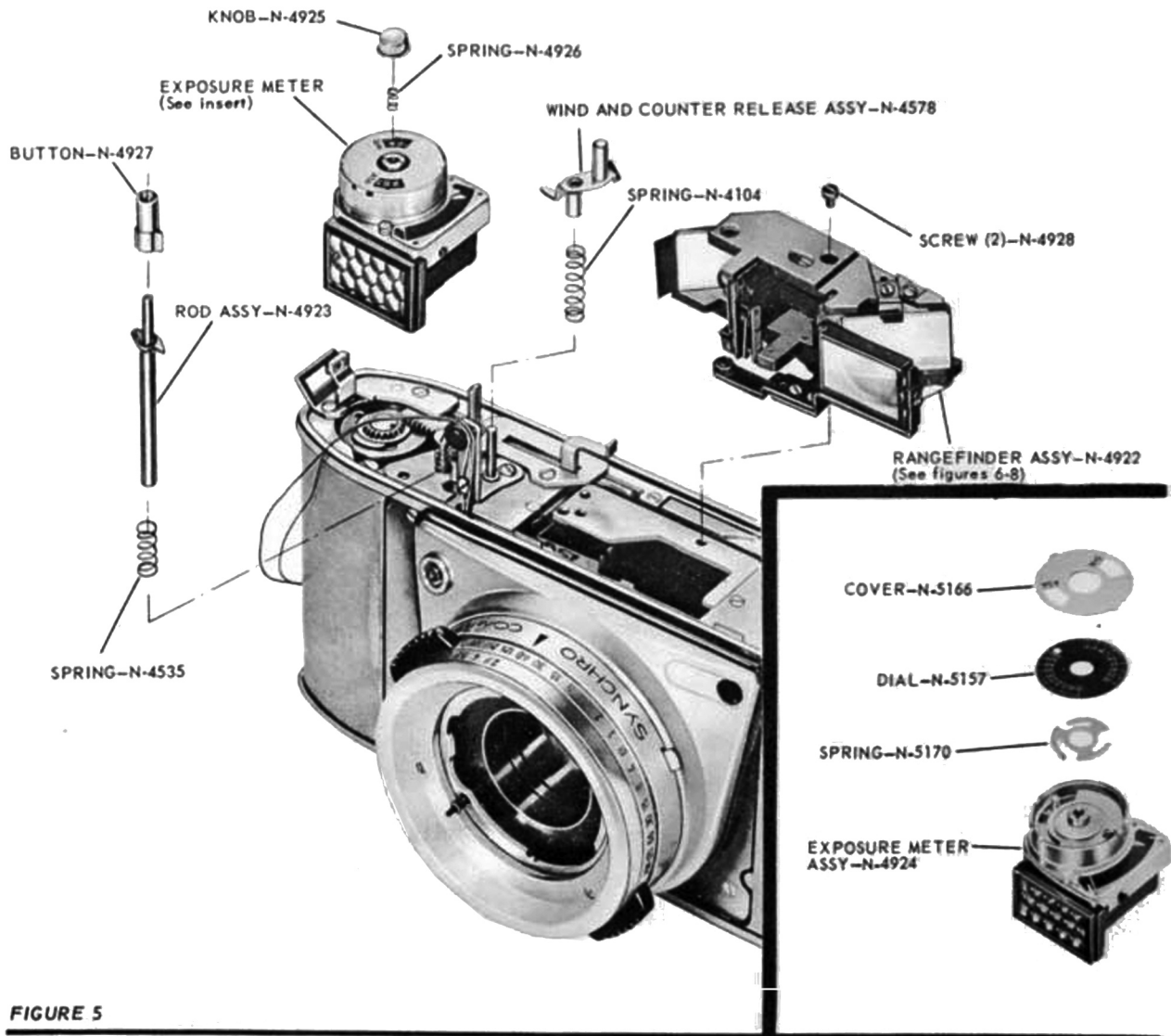


FIGURE 5

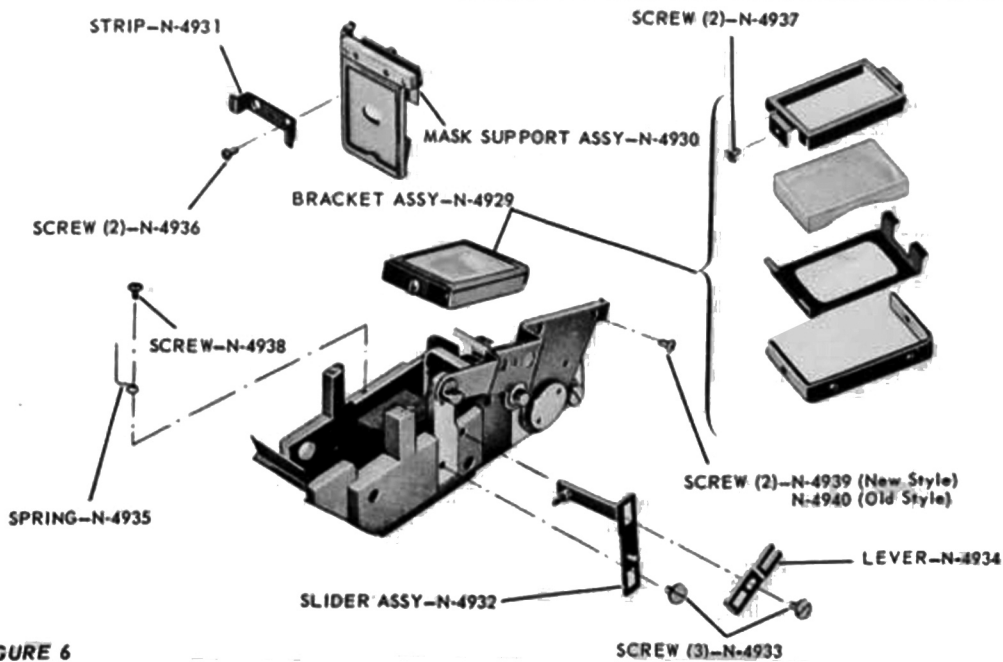


FIGURE 6

Always give PART NUMBER and NAME when ordering parts

# KODAK RETINA III S CAMERA

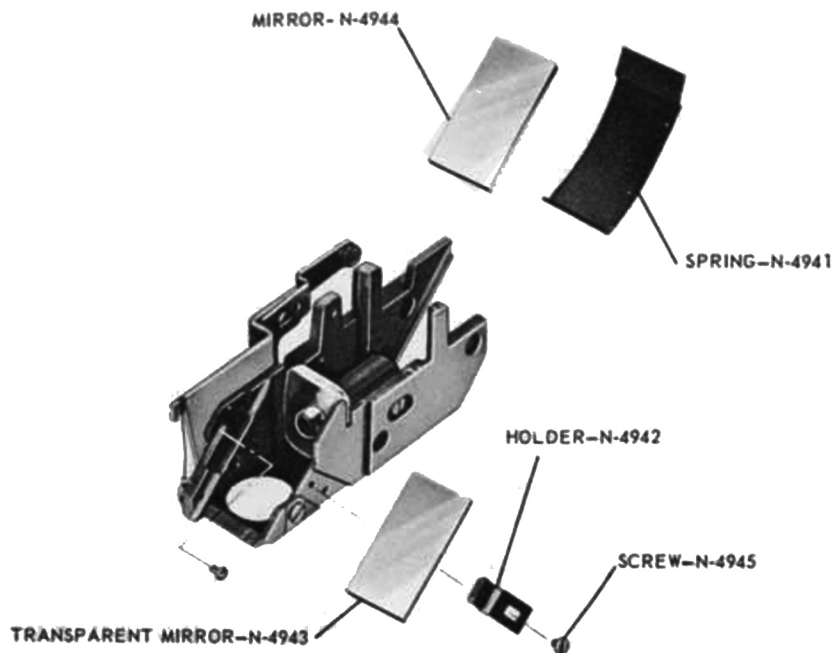


FIGURE 7

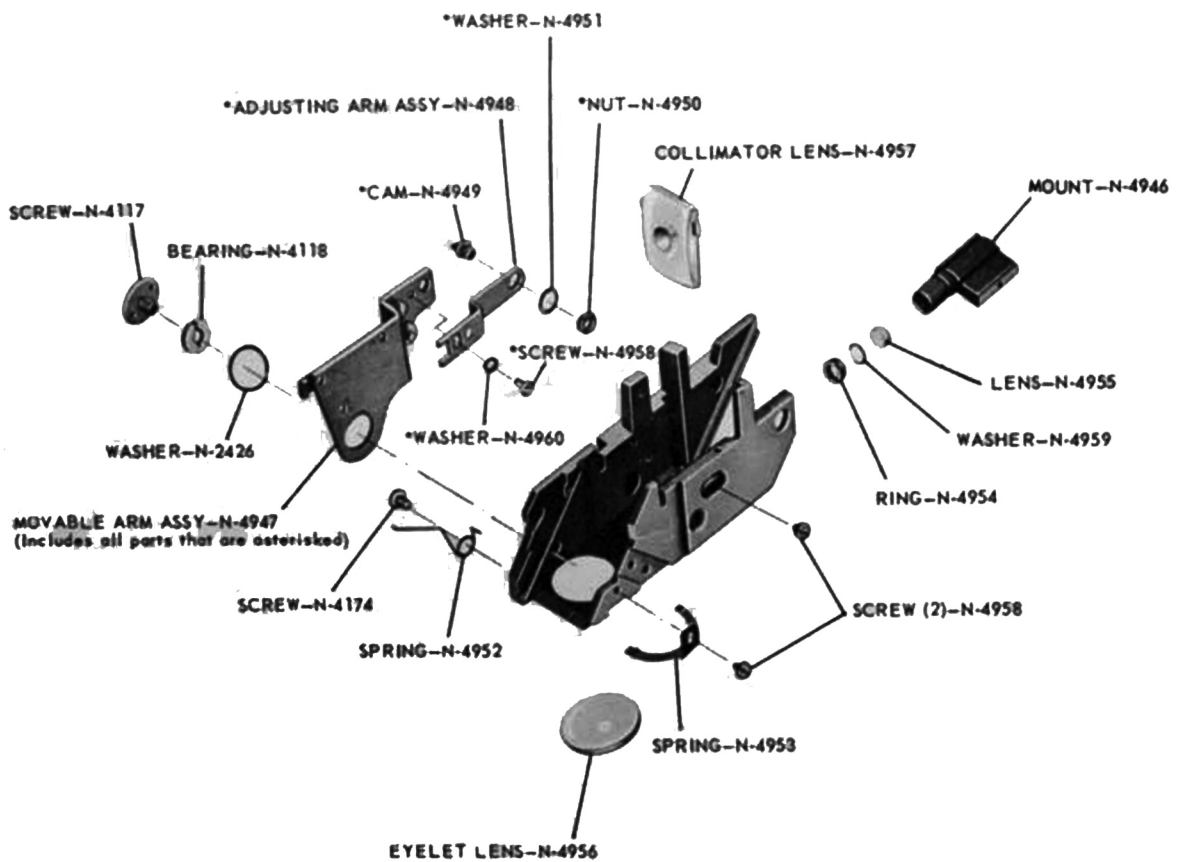


FIGURE 8

Always give PART NUMBER and NAME when ordering parts

# KODAK RETINA III S CAMERA

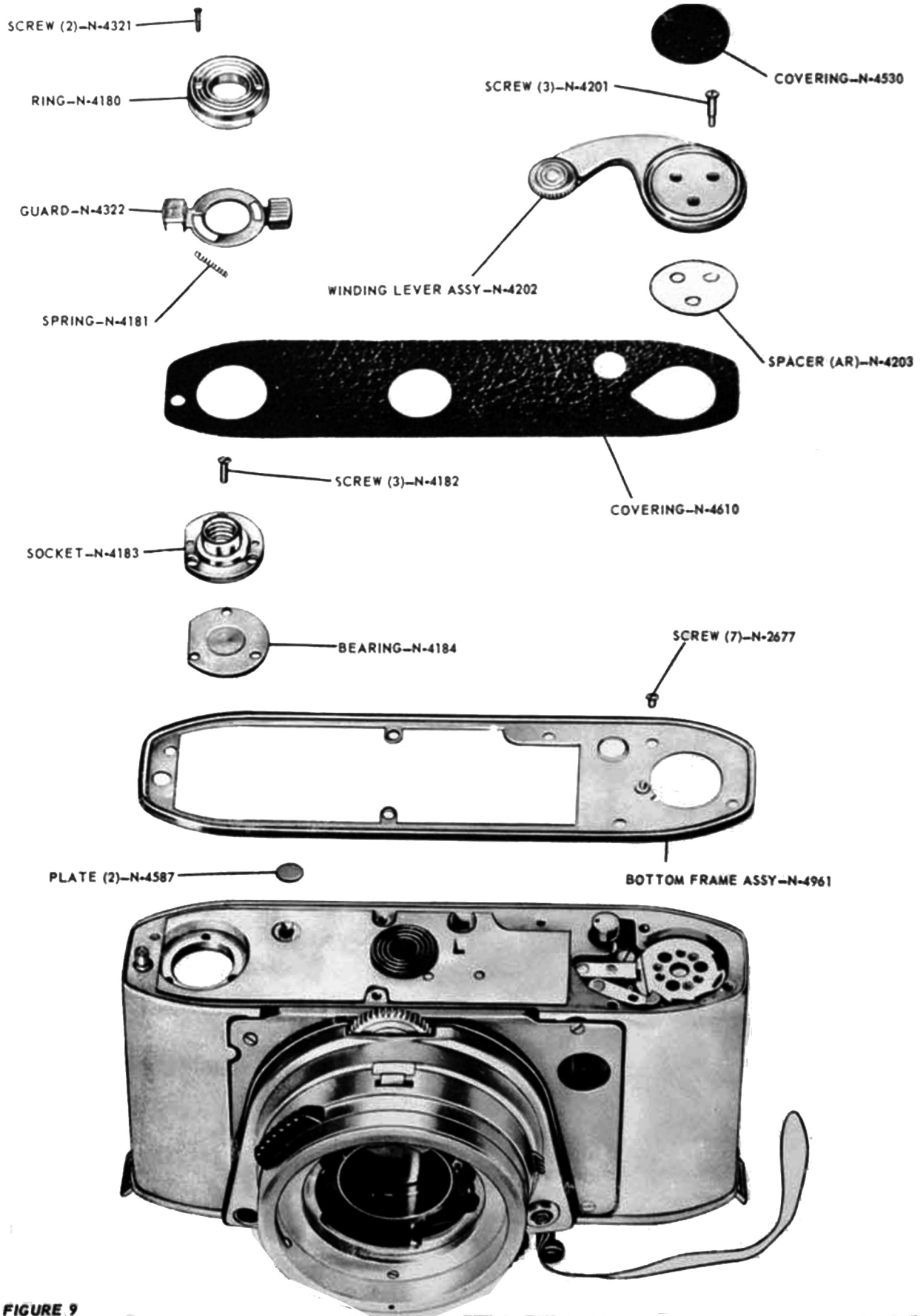


FIGURE 9

Always give PART NUMBER and NAME when ordering parts

# KODAK RETINA III S CAMERA

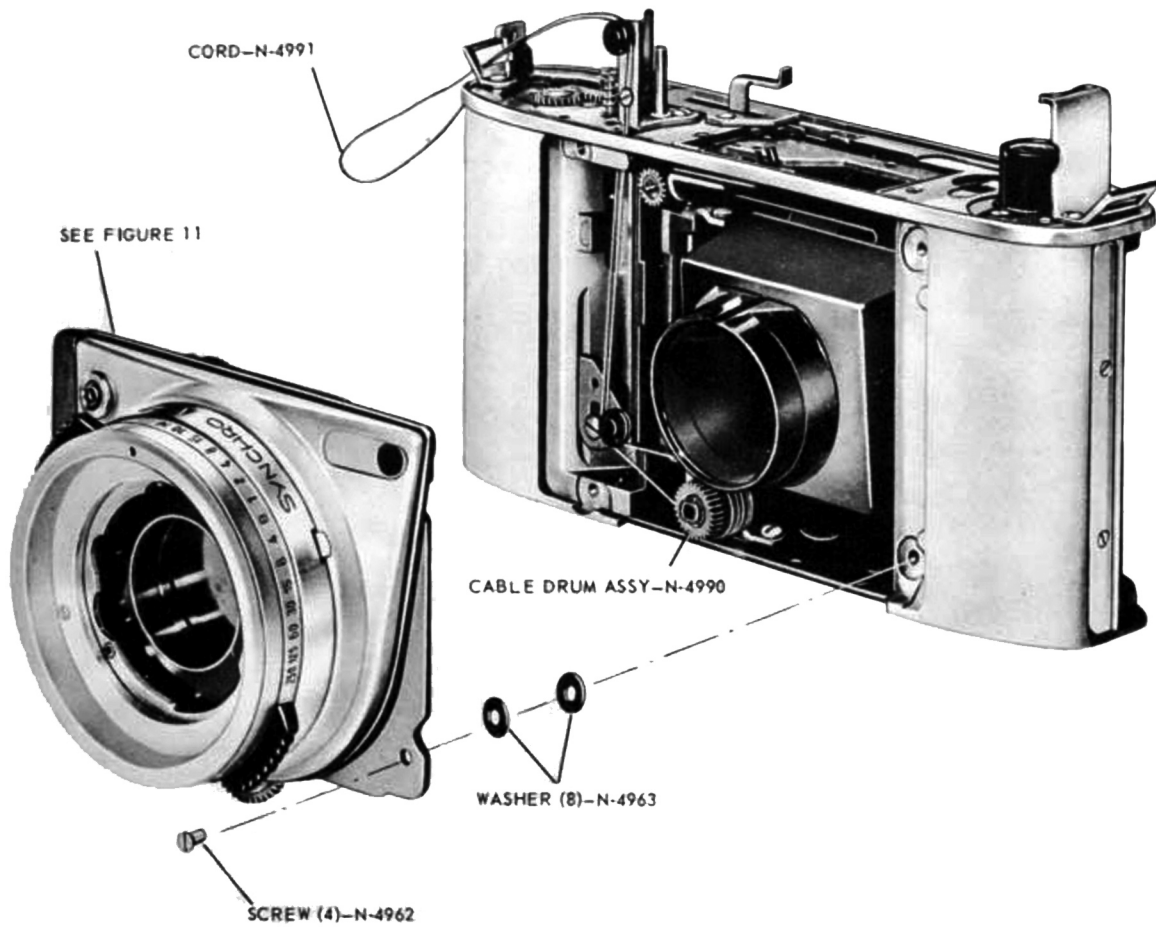


FIGURE 10

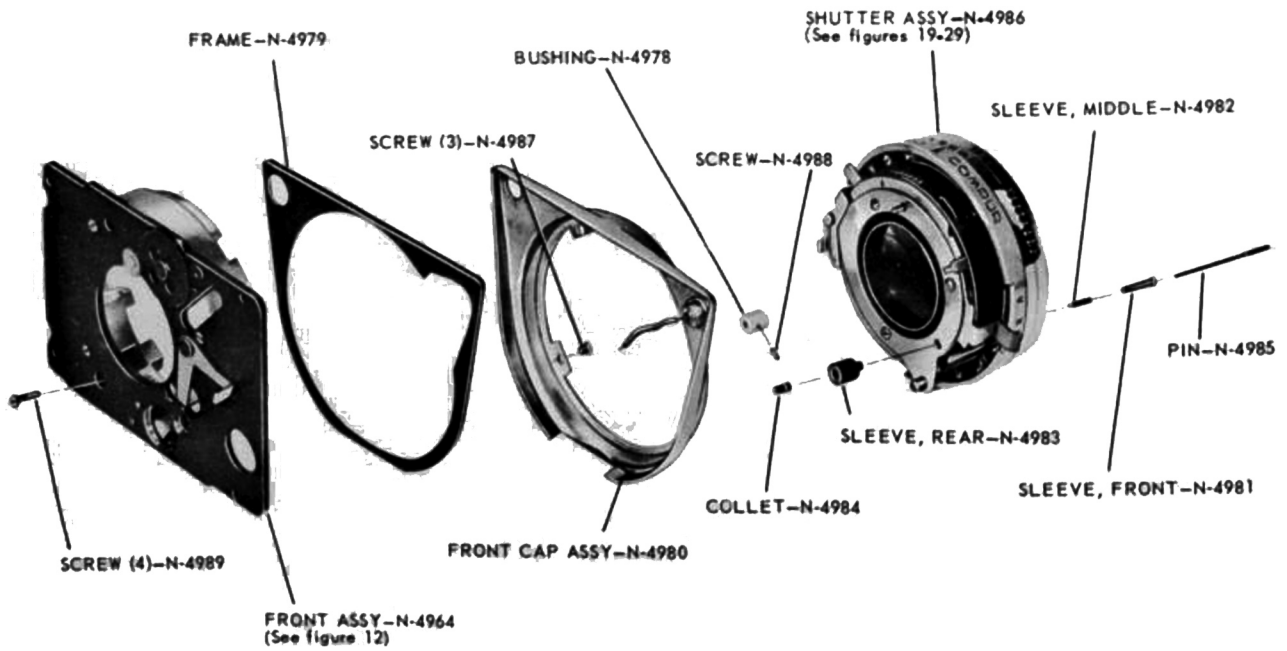


FIGURE 11

Always give PART NUMBER and NAME when ordering parts

# KODAK RETINA III S CAMERA

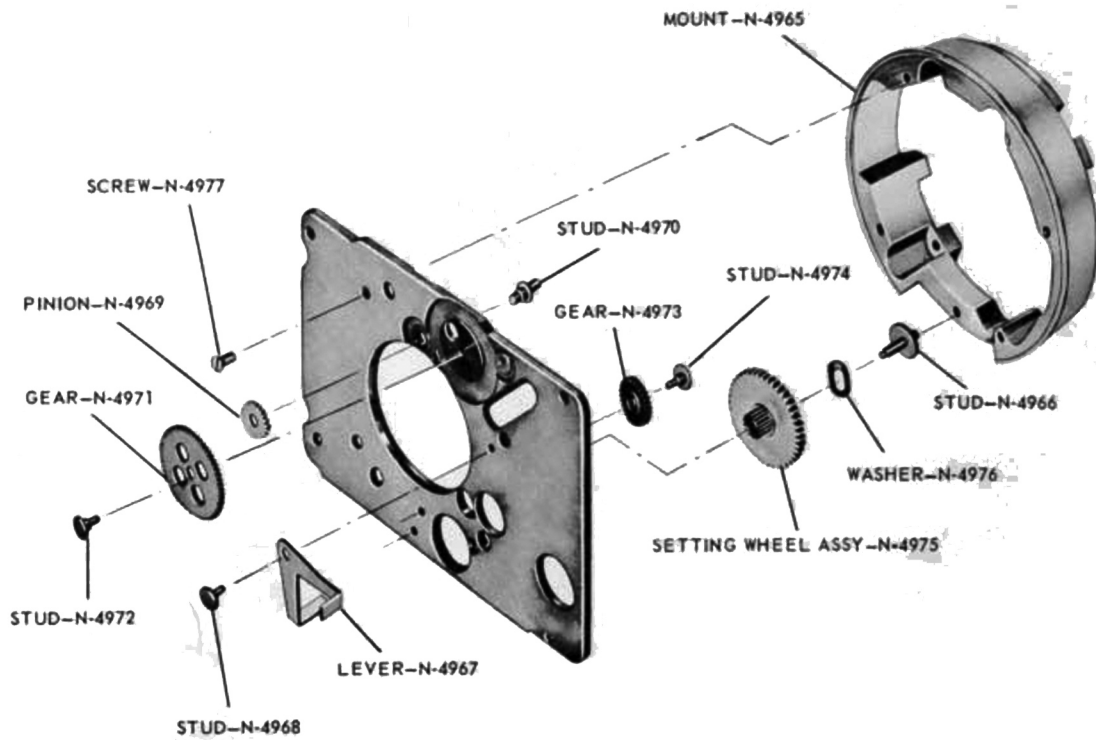


FIGURE 12

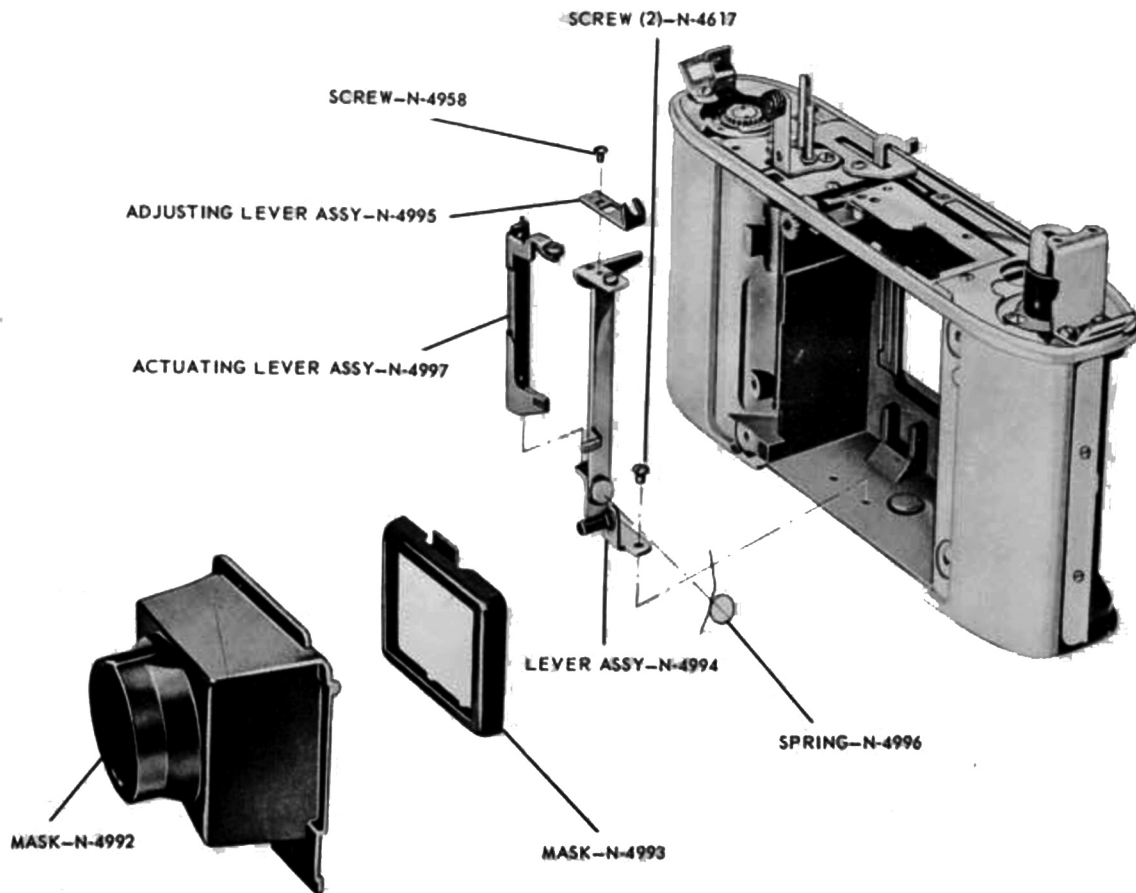


FIGURE 13

Always give PART NUMBER and NAME when ordering parts

# KODAK RETINA III S CAMERA

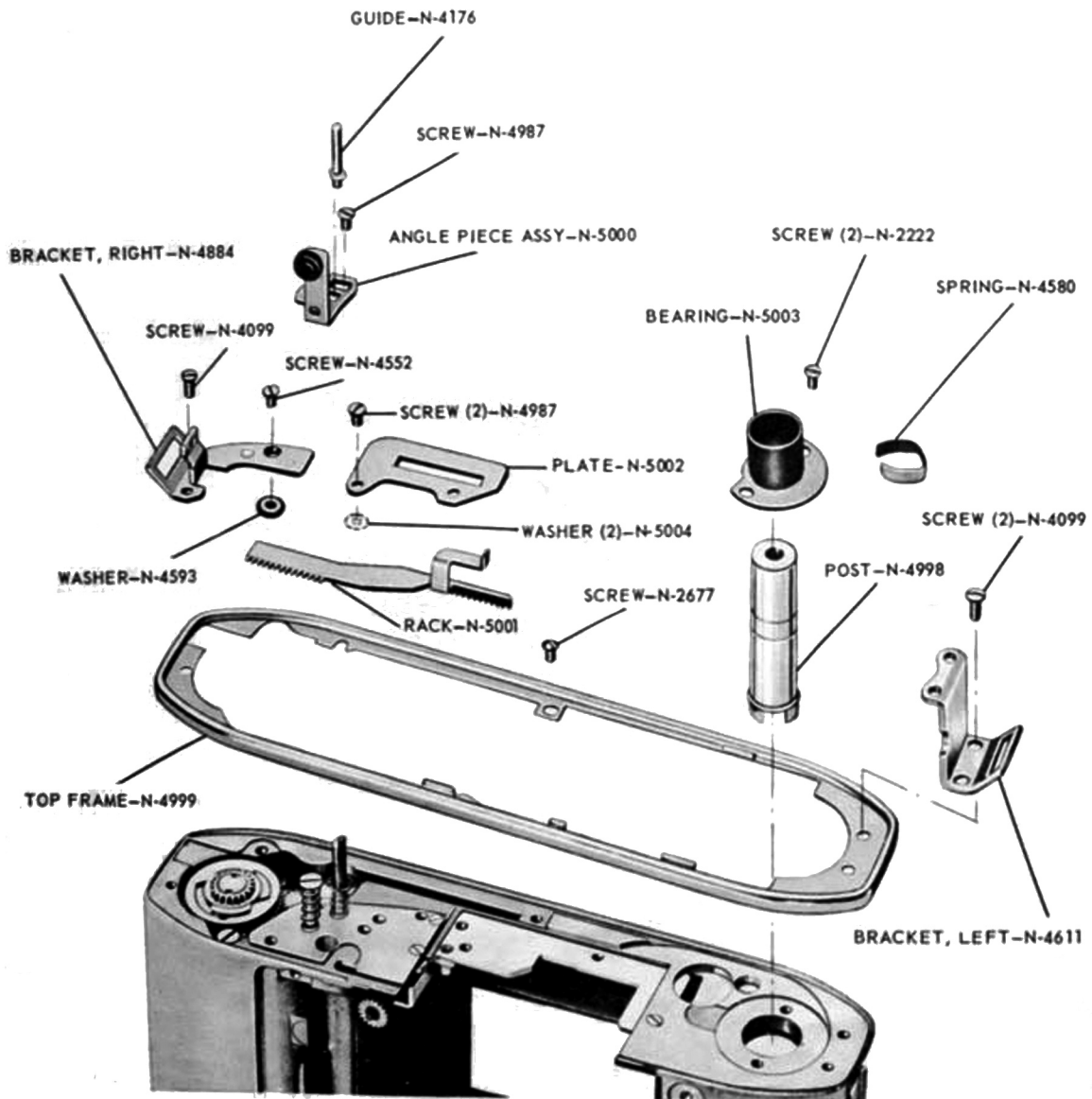


FIGURE 14

Always give PART NUMBER and NAME when ordering parts

# KODAK RETINA III S CAMERA

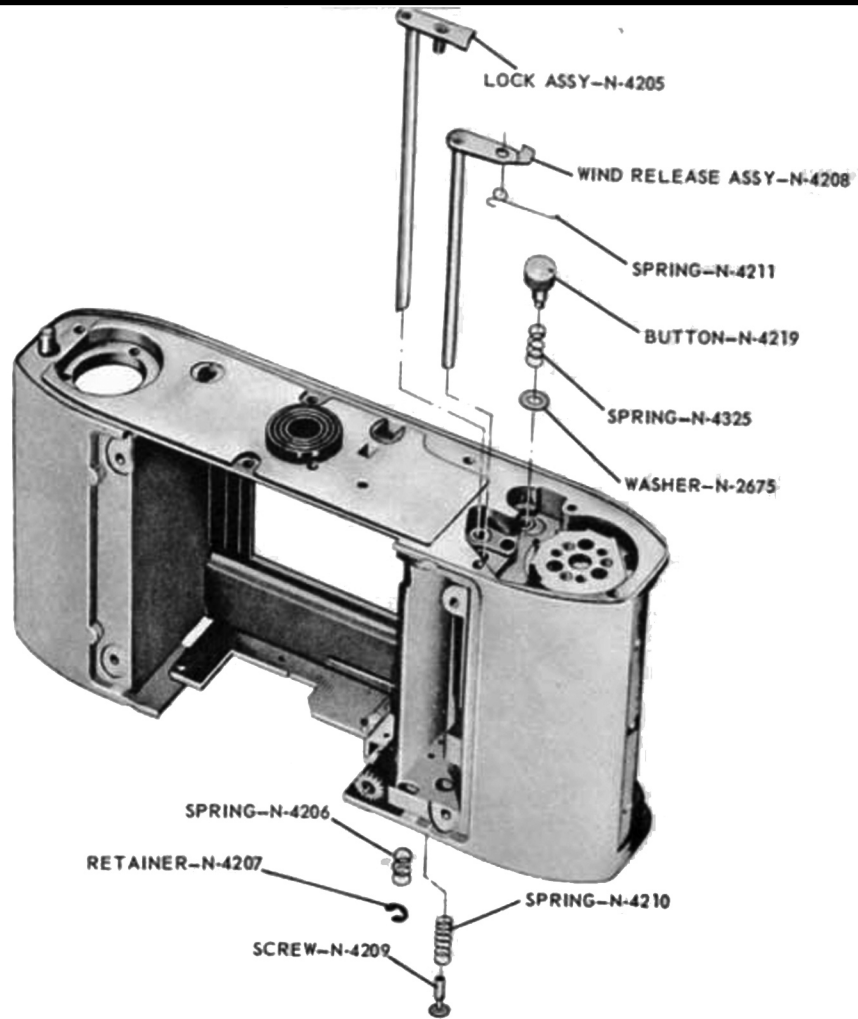


FIGURE 15

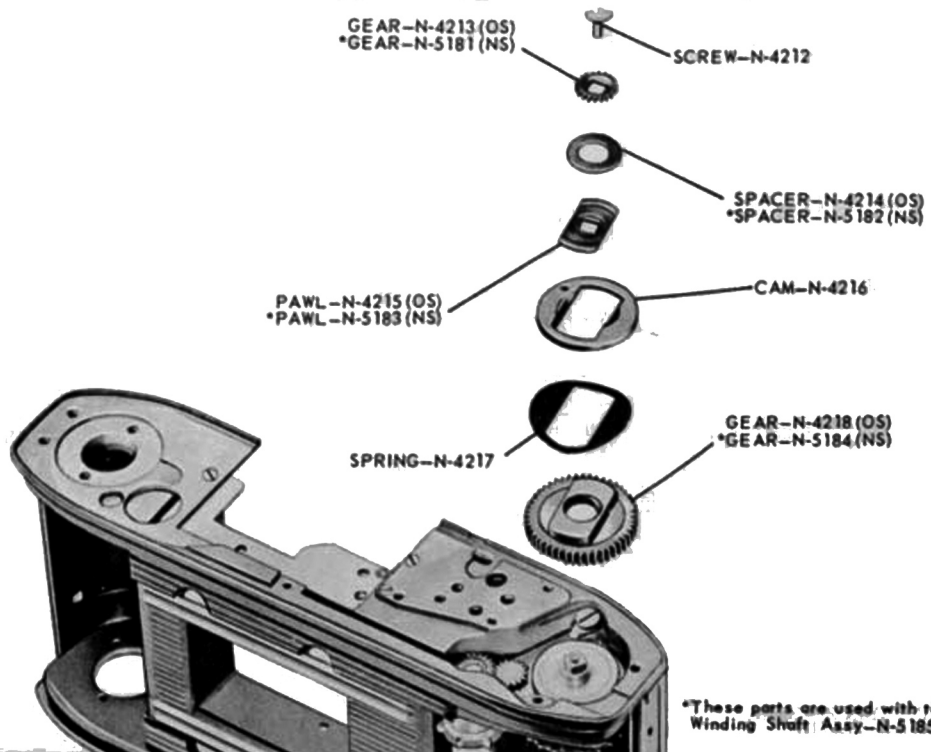


FIGURE 16

Always give PART NUMBER and NAME when ordering parts

# KODAK RETINA III S CAMERA

\*See figure 16 for parts used with this assembly.

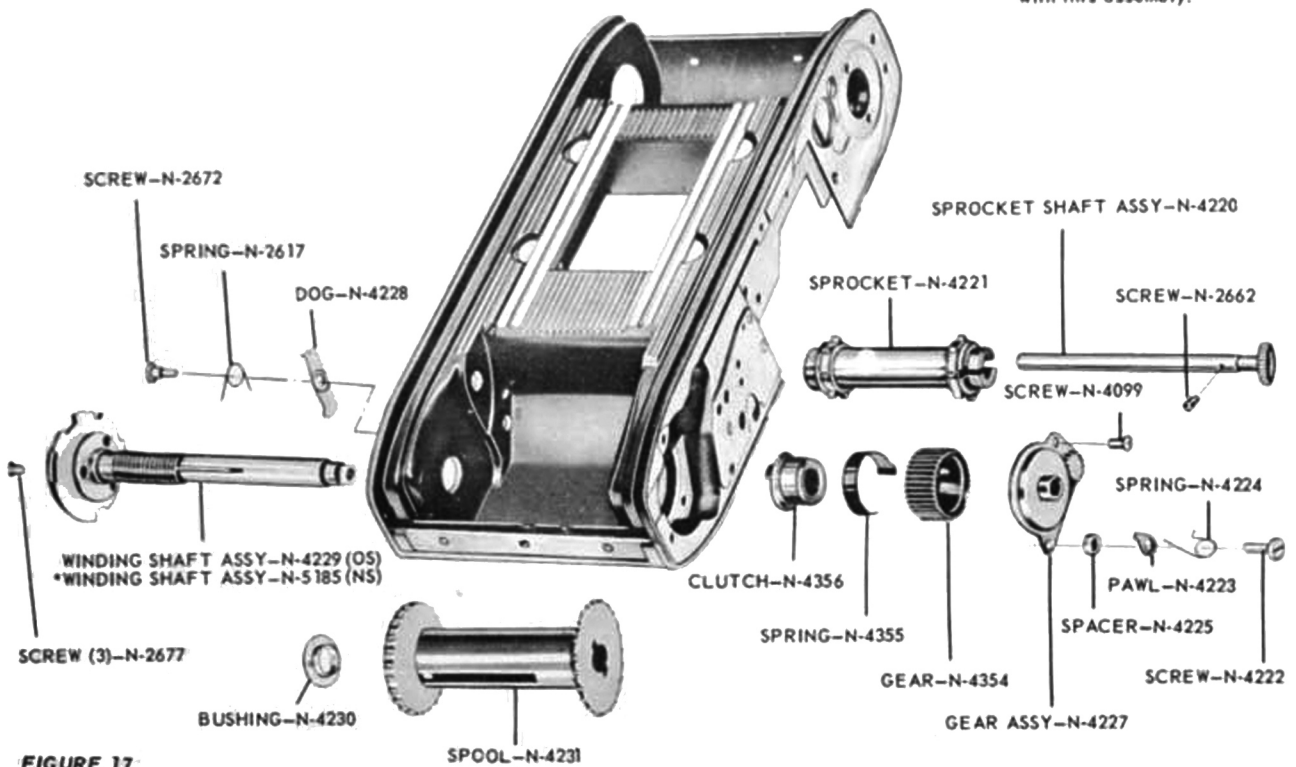


FIGURE 17

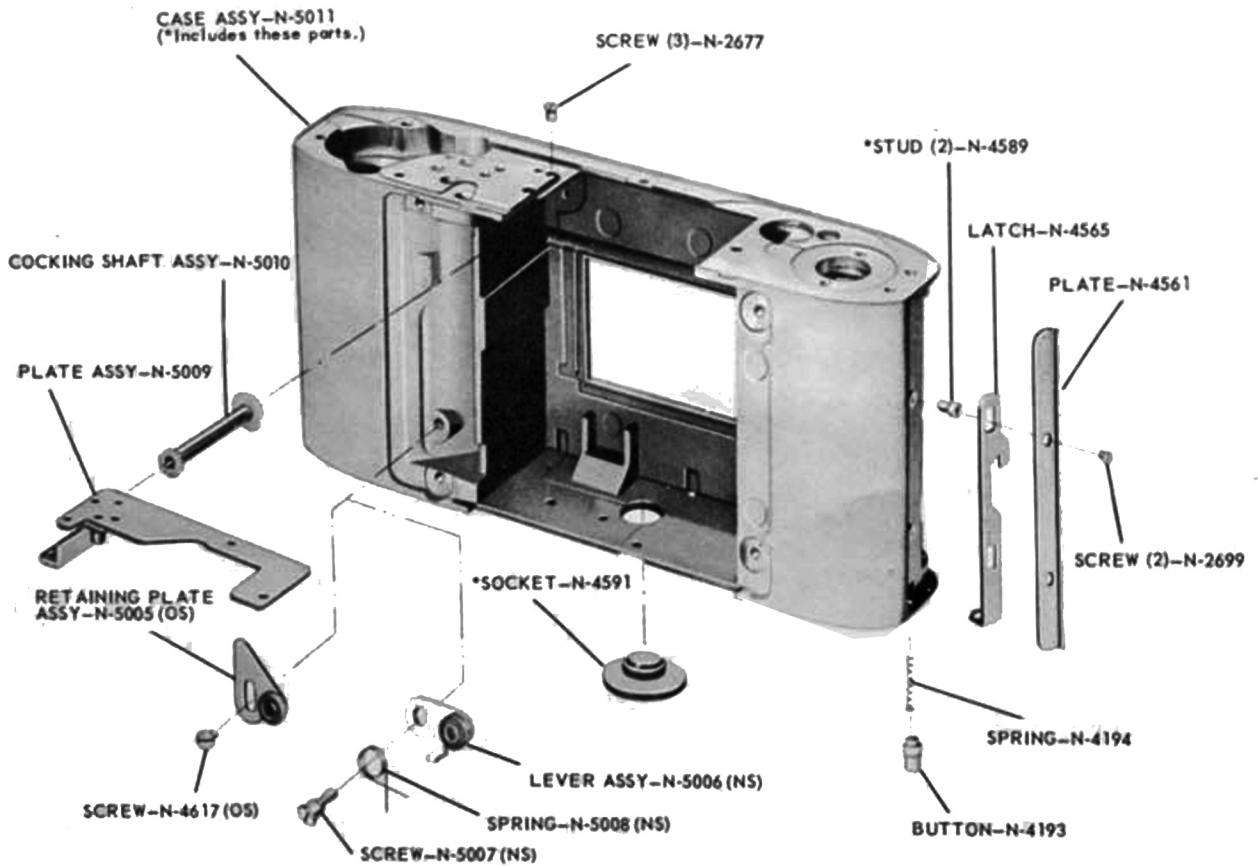


FIGURE 18

Always give PART NUMBER and NAME when ordering parts

# KODAK RETINA III S CAMERA

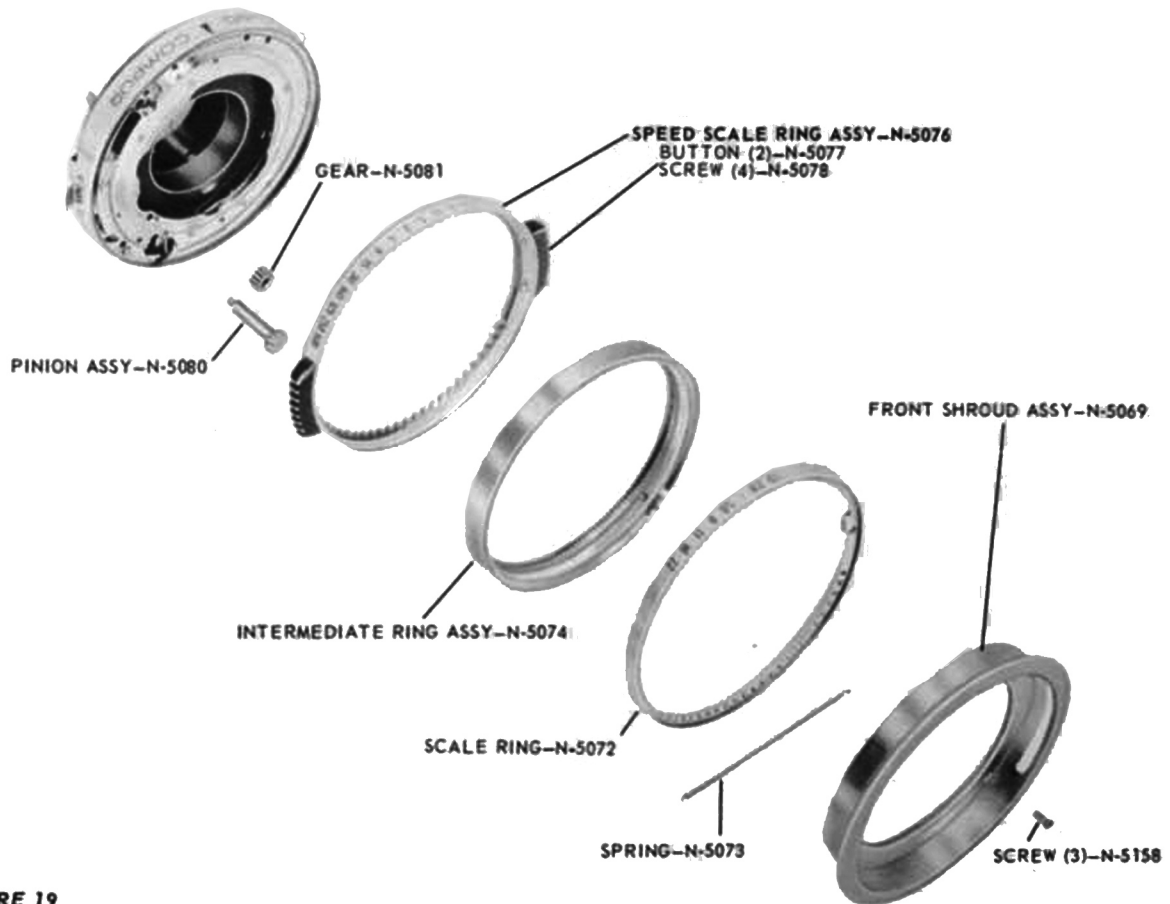


FIGURE 19

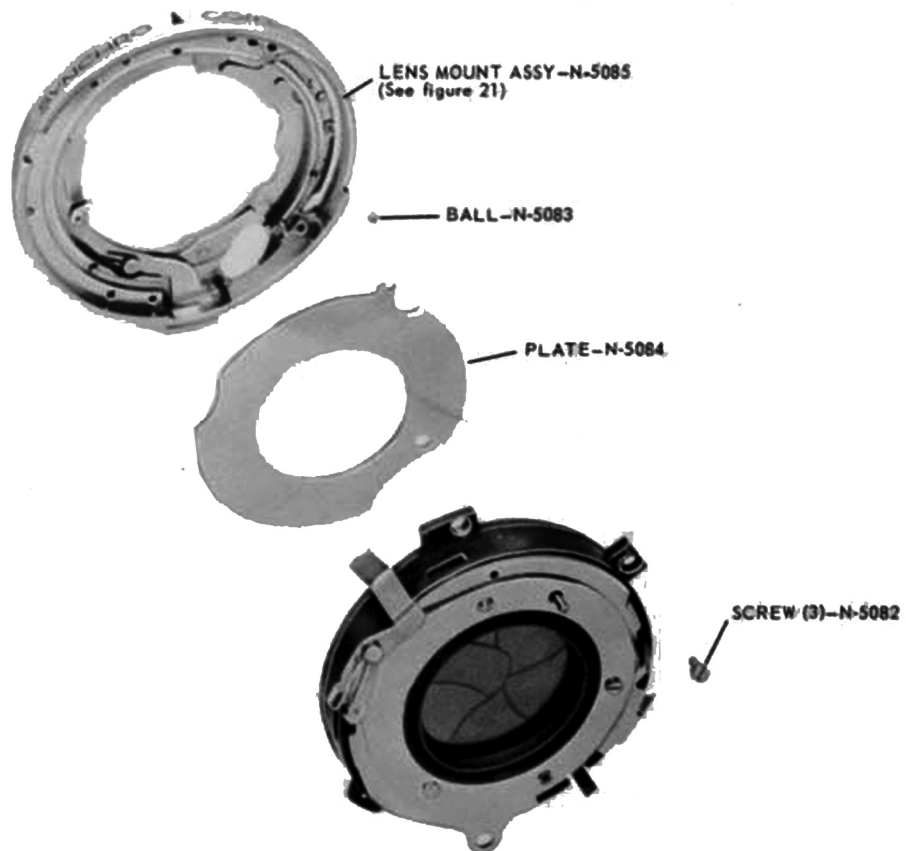


FIGURE 20

Always give PART NUMBER and NAME when ordering parts

# KODAK RETINA III S CAMERA

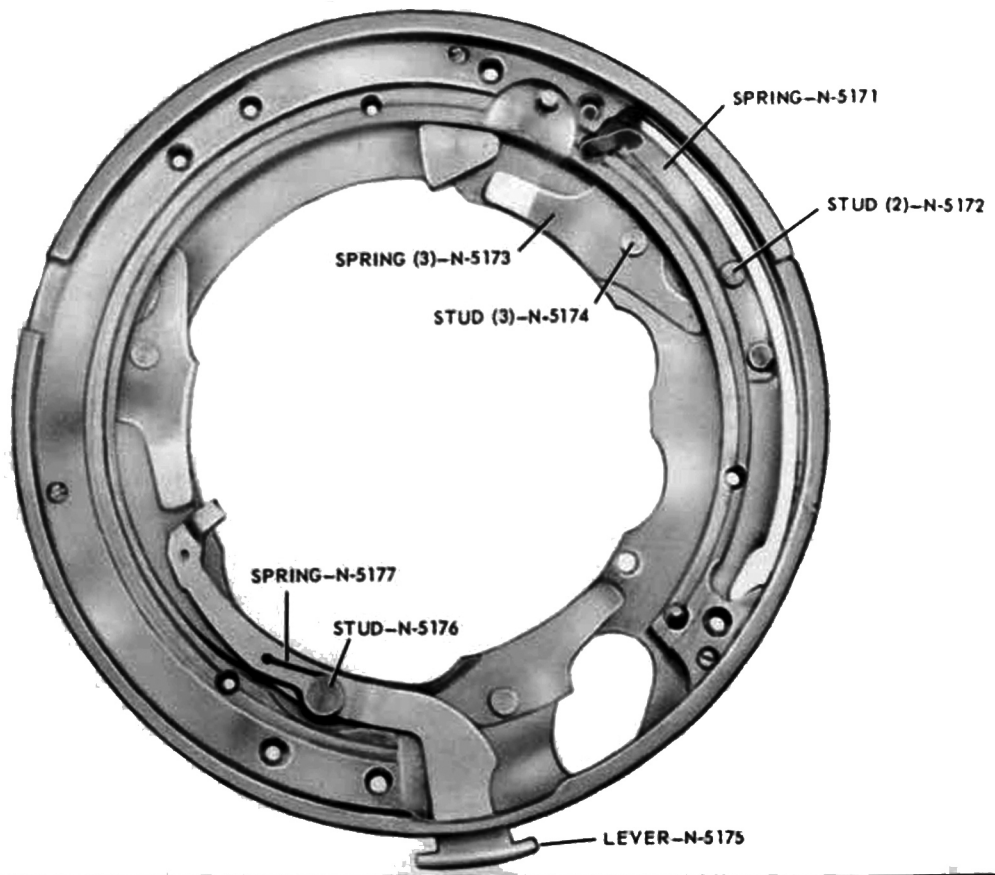


FIGURE 21

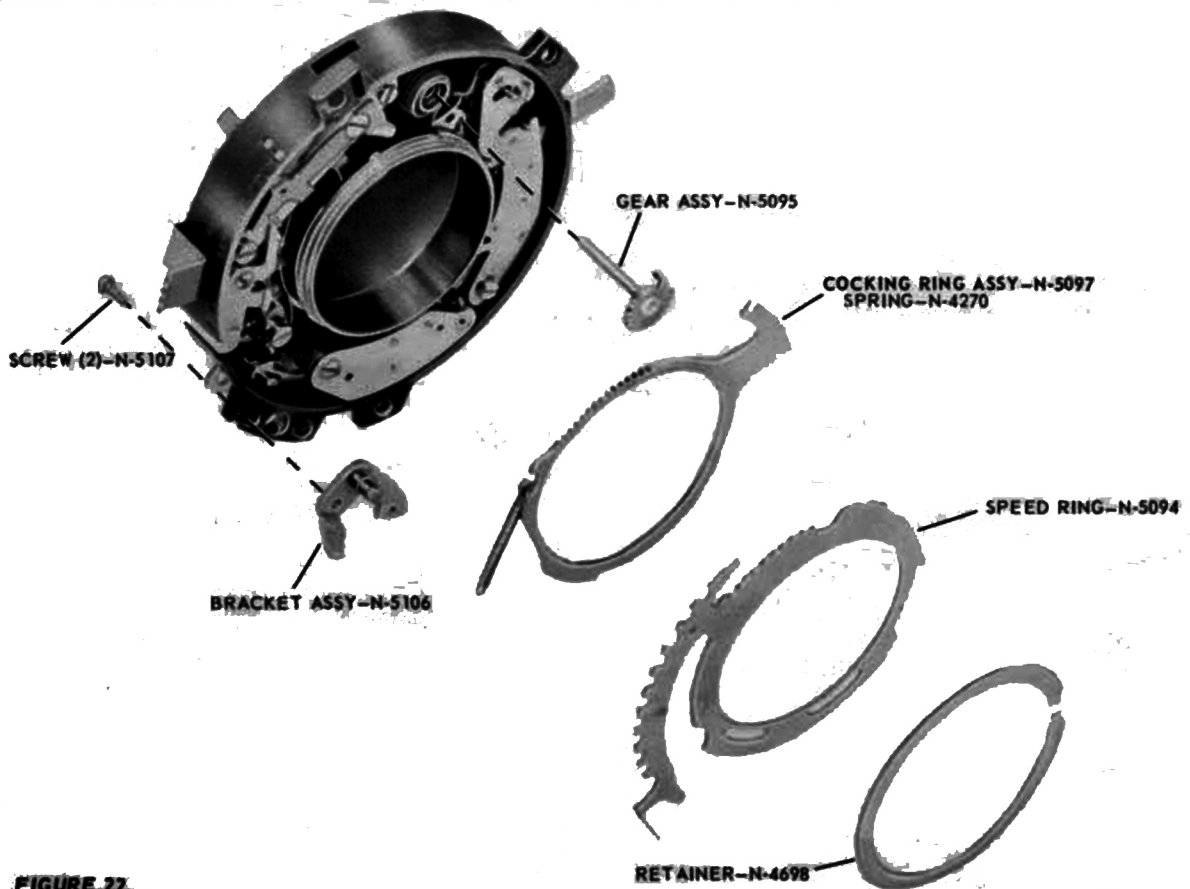


FIGURE 22

Always give PART NUMBER and NAME when ordering parts

# KODAK RETINA III S CAMERA

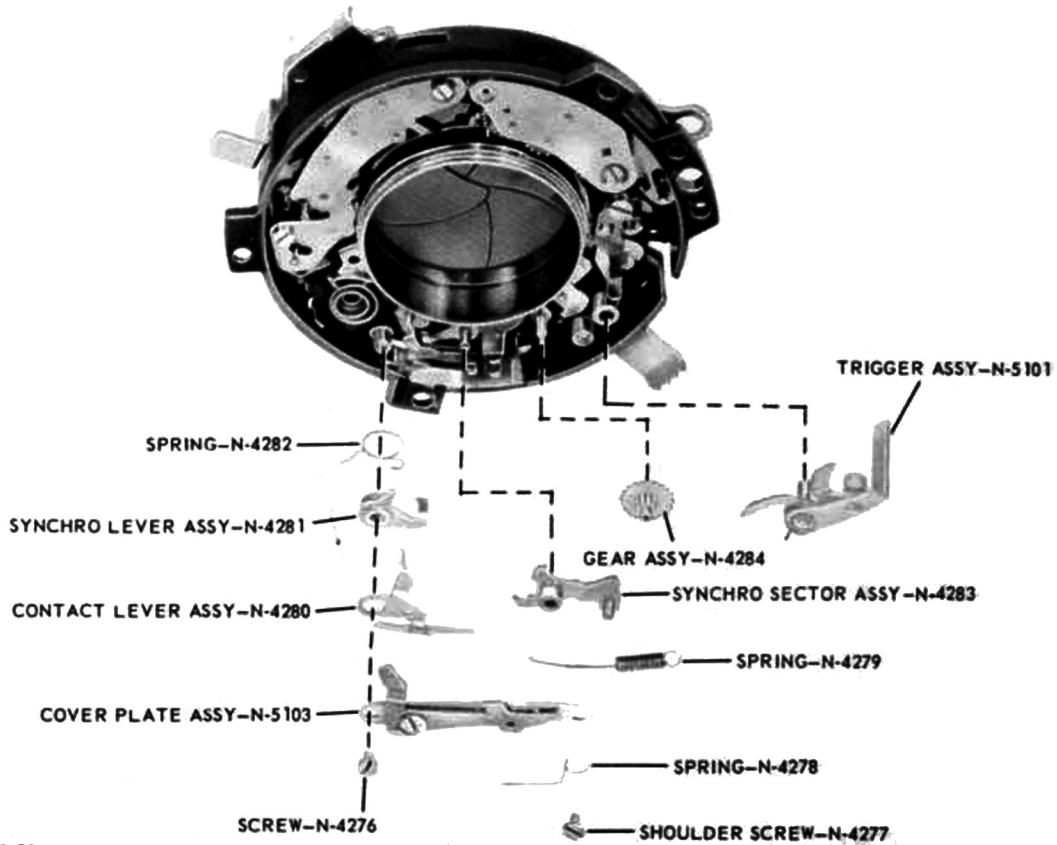


FIGURE 23

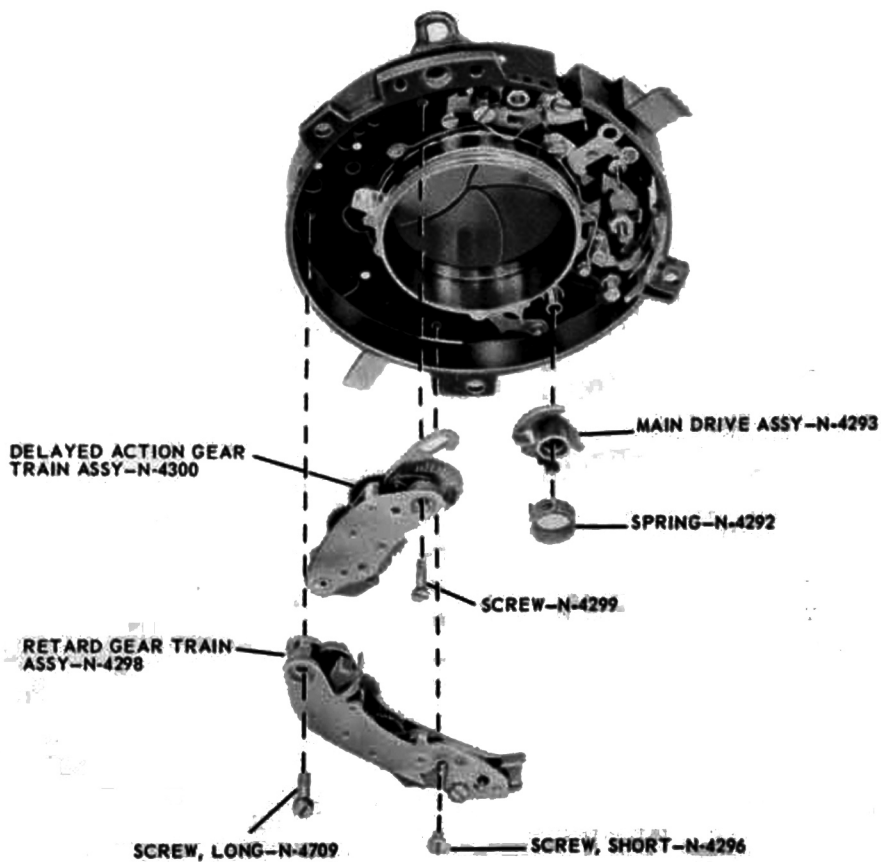
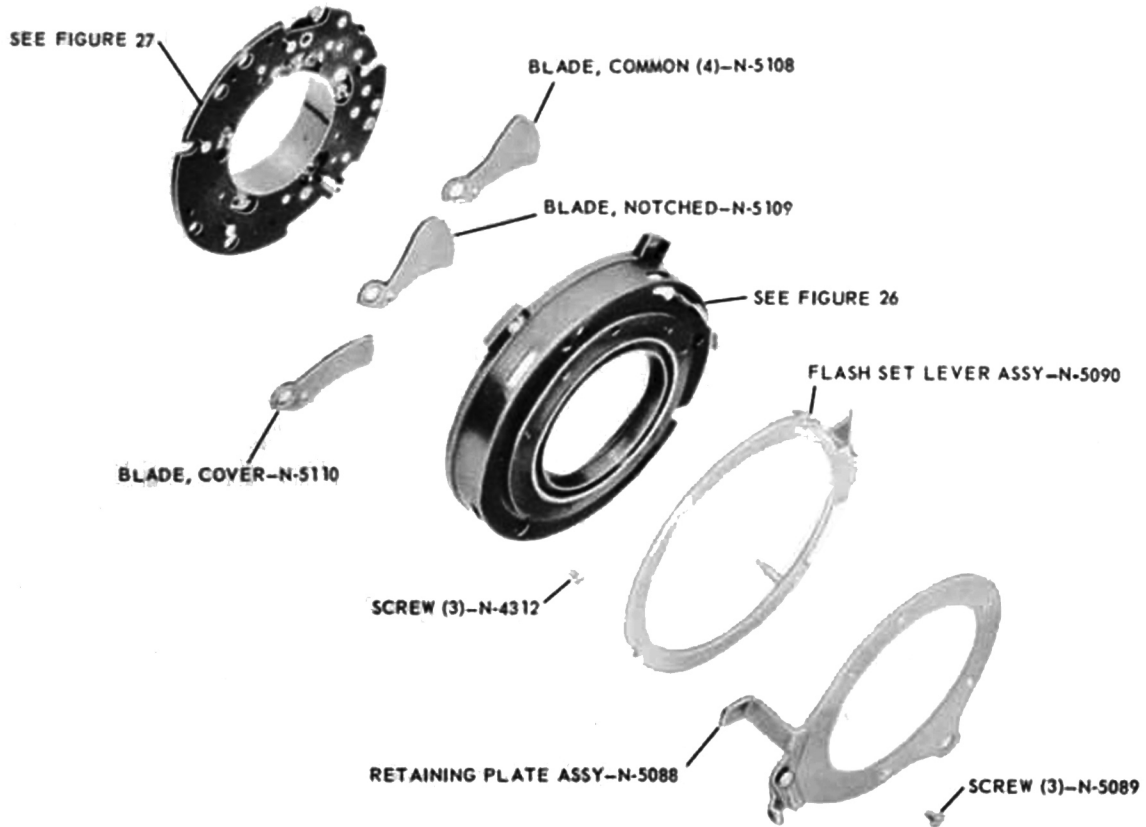


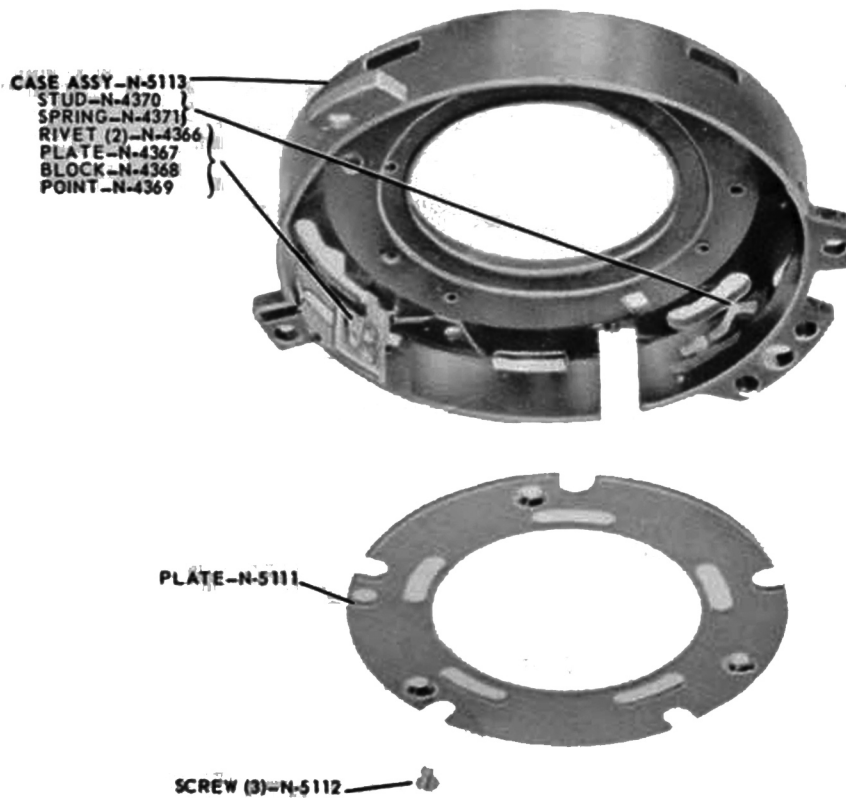
FIGURE 24

Always give PART NUMBER and NAME when ordering parts

# KODAK RETINA III S CAMERA



**FIGURE 25**



**FIGURE 26**

Always give PART NUMBER and NAME when ordering parts

# KODAK RETINA III S CAMERA

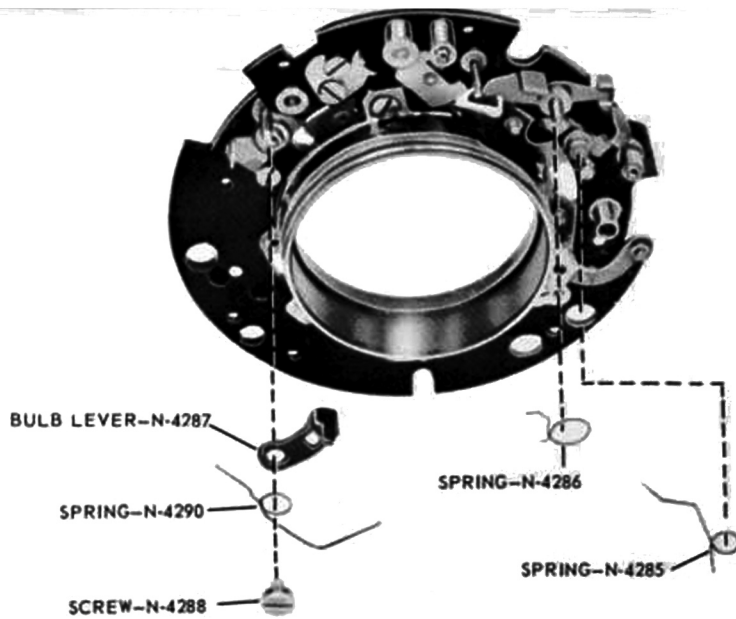


FIGURE 27

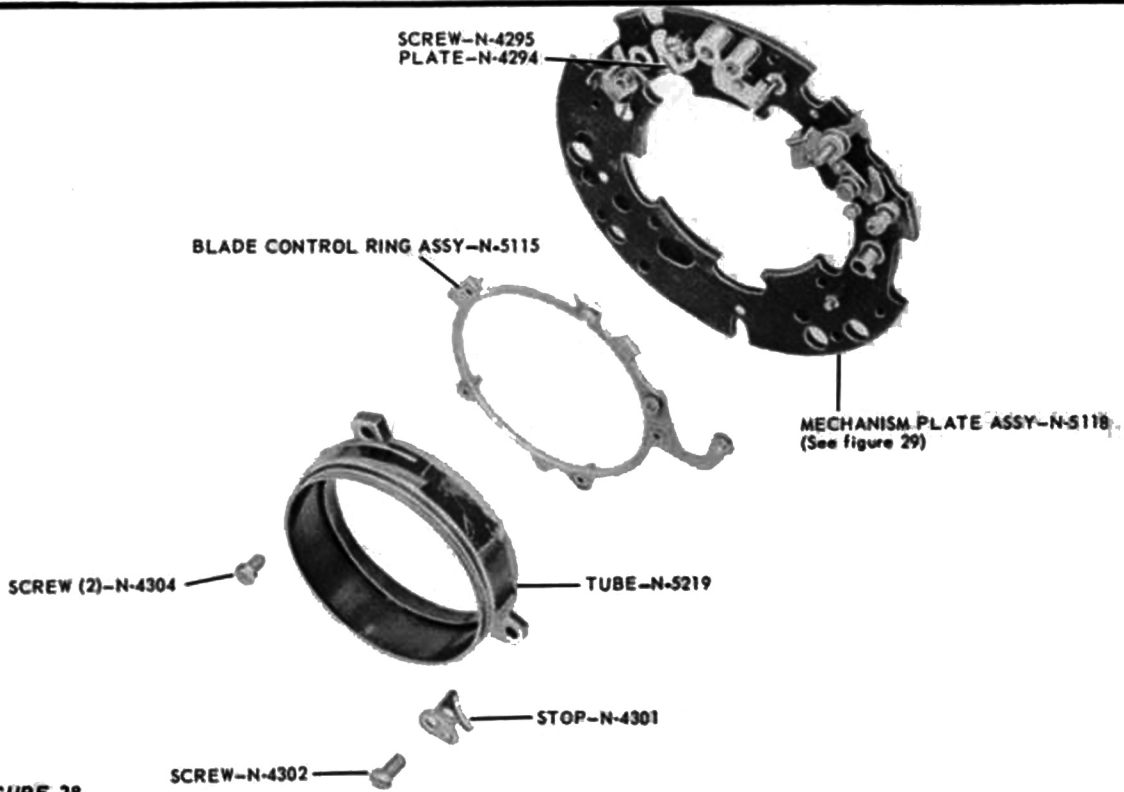


FIGURE 28

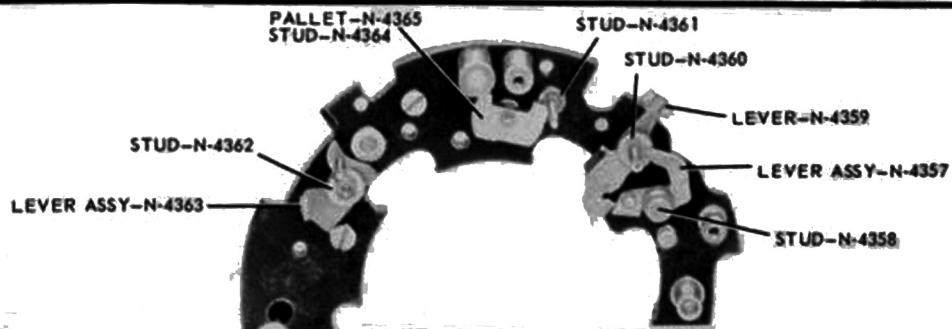


FIGURE 29

Always give PART NUMBER and NAME when ordering parts

# KODAK RETINA III S CAMERA



FIGURE 30. KODAK RETINA FIELD CASE, MODELS C and D

Always give PART NUMBER and NAME when ordering parts

# KODAK RETINA III S CAMERA

FIG.	PART NO.		PART NAME	REQD.
	U.S.	German		
14	N-2222	G-2467/1	Screw - Rewind post bearing . . . . .	2
2	N-2423	G-2036/6	Screw - Accessory clip. . . . .	3
8	N-2426	G-011568	Washer - Movable arm screw tension . . . . .	1
17	N-2617	G-016086	Spring - Rewind release dog. . . . .	1
4	N-2618	G-016334/1	Film Tension Pad Assy. . . . .	1
17	N-2662	G-2533/1	Screw - Sprocket shaft . . . . .	1
17	N-2672	G-016085	Screw - Rewind release dog. . . . .	1
15	N-2675	G-4623/1	Washer - Rewind release button . . . . .	1
1,9,14, 17,18	N-2677	G-2507/1	Screw - Back to case (3), Bottom frame to case (7), Top frame (1), Winding shaft assy (3), Support plate assy (3). . . . .	17
18	N-2699	G-2114/1	Screw - Back latch plate . . . . .	2
4	N-2717	G-016302	Spring - Tension pad. . . . .	2
4	N-2722	G-1357/4	Rivet - Back catch (2), finishing strip (2) . . . . .	4
1	N-2723	G-016670	Pointer - Film indicator . . . . .	1
1	N-2724	G-016623	Washer - Tension. . . . .	1
2	N-4049	G-021738	Clip - Accessory . . . . .	1
1	N-4051	G-2507/6	Screw - Housing to carrying strap bracket, left. . . . .	2
1	N-4052	G-2538/6	Screw - Finder housing to carrying strap bracket, left . . . . .	1
3	N-4062	G-1257/1	Rivet - Viewfinder reinforcement plate . . . . .	4
3	N-4064	G-4048/0	Washer - Counter reset button . . . . .	1
2	N-4070	G-021718	Ratchet - Counter. . . . .	1
2	N-4071	G-021720	Dial - Counter. . . . .	1
2	N-4072	G-021711	Spring - Counter actuating. . . . .	1
2	N-4073	G-1366/1	Rivet - Counter actuating spring. . . . .	1
2	N-4075	G-2544/1	Screw - Exposure counter adjusting. . . . .	1
2	N-4087	G-021717	Washer - Counter ratchet tension . . . . .	1
2	N-4088	G-4638/1	Washer - Counter ratchet spacing. . . . .	1
2	N-4092	G-021706	Bushing - Body release. . . . .	1
14,17	N-4099	G-2537/1	Screw - Carrying strap bracket, left (2), right (1), Bushing and gear assy (1). . . . .	4
5	N-4104	G-021624	Spring - Wind and counter release. . . . .	1
8	N-4117	G-021427	Screw - Movable arm . . . . .	1
8	N-4118	G-021425	Bearing - Movable arm. . . . .	1
8	N-4174	G-021225	Screw - Arm assy actuating spring . . . . .	1
14	N-4176	G-021617	Guide - Wind and counter release . . . . .	1
9	N-4180	G-021612	Ring - Tripod socket outer. . . . .	1
9	N-4181	G-021611	Spring - Back latch button guard. . . . .	1
9	N-4182	G-2527/1	Screw - Tripod socket to case . . . . .	3
9	N-4183	G-021595	Socket - Tripod . . . . .	1
9	N-4184	G-021594	Bearing - Cassette. . . . .	1
18	N-4193	G-021018	Button - Back latch. . . . .	18
18	N-4194	G-021013	Spring - Back latch button . . . . .	1
9	N-4201	G-2526/1	Screw - Winding lever. . . . .	3
9	N-4202	G-021602/1	Winding Lever Assy . . . . .	1
9	N-4203	G-021605	Spacer - Wind lever . . . . .	AR
15	N-4205	G-021580/1	Film Advance Lock Assy. . . . .	1
15	N-4206	G-021584	Spring - Film advance lock assy. . . . .	1
15	N-4207	G-4984/4	Retainer - Film advance lock spring . . . . .	1
15	N-4208	G-021570/1	Wind Release Assy. . . . .	1
15	N-4209	G-021578	Screw - Wind release adjusting. . . . .	1
15	N-4210	G-021577	Spring - Wind release . . . . .	1
15	N-4211	G-021574	Spring - Wind release throw-out. . . . .	1
16	N-4212	G-021550	Screw - Winding shaft. . . . .	1
16	N-4213	G-021549	Gear - Winding shaft. . . . .	1
16	N-4214	G-4630/0	Spacer - Winding shaft pinion. . . . .	1
16	N-4215	G-021545	Pawl - Winding shaft. . . . .	1
16	N-4216	G-021544	Cam - Winding shaft. . . . .	1
16	N-4217	G-021543	Spring - Tension . . . . .	1
16	N-4218	G-021532	Gear - Film advance drive. . . . .	1
15	N-4219	G-021564	Button - Rewind release . . . . .	1
17	N-4220	G-021555/1	Sprocket Shaft Assy . . . . .	1
17	N-4221	G-021560	Sprocket. . . . .	1
17	N-4222	G-021540	Screw - Drive gear pawl . . . . .	1

Always give PART NUMBER and NAME when ordering parts

# KODAK RETINA III S CAMERA

FIG.	PART NO.		PART NAME	REQD.
	U.S.	German		
17	N-4223	G-021538	Pawl - Drive gear . . . . .	1
17	N-4224	G-021539	Spring - Drive gear pawl. . . . .	1
17	N-4225	G-021536	Spacer - Drive gear pawl. . . . .	1
17	N-4227	G-021527/1	Bushing and Gear Assy . . . . .	1
17	N-4228	G-021567	Dog - Rewind release . . . . .	1
17	N-4229	G-021500/1	Winding Shaft Assy. . . . .	1
17	N-4230	G-021516	Bushing - Take-up spool . . . . .	1
17	N-4231	G-021518/1	Spool - Take-up. . . . .	1
4	N-4236	G-021321/1	Hinge - Back. . . . .	1
4	N-4238	G-021104	Catch - Back. . . . .	1
4	N-4239	G-1371/1	Rivet - Film tension pad spring . . . . .	3
9	N-4321	G-2528/6	Screw - Tripod socket outer ring . . . . .	2
9	N-4322	G-021610	Guard - Back latch button . . . . .	1
15	N-4325	G-021563	Spring - Rewind release button. . . . .	1
17	N-4354	G-021524	Gear - Clutch . . . . .	1
17	N-4355	G-016540	Spring - Clutch pressure. . . . .	1
17	N-4356	G-021522	Clutch . . . . .	1
2	N-4466	G-021721	Bearing - Release and counter . . . . .	1
1	N-4512	G-023761	Sleeve - Rewind post. . . . .	1
9	N-4530	G-025607	Covering - Winding lever. . . . .	1
5	N-4535	G-023628	Spring - Body release trip. . . . .	1
4	N-4543	G-023293	Strip - Back finishing . . . . .	1
4	N-4545	G-1379/1	Rivet - Hinge to back . . . . .	3
4	N-4547	G-7050/1	Pin - Hinge. . . . .	1
14	N-4552	G-023637	Screw - Carrying strap bracket, right . . . . .	1
3	N-4554	G-025728	Washer - Eyepiece. . . . .	1
18	N-4561	G-023015	Plate - Back latch . . . . .	1
18	N-4565	G-023010	Latch - Back. . . . .	1
1	N-4575	G-025290/2	Back Assy. . . . .	1
5	N-4578	G-023620/1	Wind and Counter Release Assy . . . . .	1
14	N-4580	G-021635	Spring - Clutch pressure. . . . .	1
9	N-4587	G-023350	Plate - Closing . . . . .	2
18	N-4589	G-023014	Stud - Back latch guide . . . . .	1
18	N-4591	G-023004	Socket - Positioning . . . . .	1
14	N-4593	G-023639	Washer - Setting rack guide. . . . .	1
9	N-4610	G-023356	Covering - Case, bottom . . . . .	1
14	N-4611	G-023636	Bracket - Carrying strap, left . . . . .	1
4	N-4613	G-021295	Plate - Reinforcement. . . . .	1
13,18	N-4617	G-2224/1	Screw - Lens frame lever to case (2), Retaining plate assy (1). . . . .	3
1	N-4656	G-025673	Screen - Diffusing . . . . .	1
1	N-4661	G-025355	Covering - Back. . . . .	1
2	N-4782	G-028724	Spring - Counter advance. . . . .	1
3	N-4784	G-028725	Mount - Eyepiece. . . . .	1
3	N-4785	G-0191/0	Glass - Eyepiece . . . . .	1
3	N-4787	G-0194/0	Window - Viewfinder. . . . .	2
14	N-4884	G-025638	Bracket - Carrying strap, right . . . . .	1
1	N-4904	G-027348	Disk. . . . .	1
1	N-4905	G-027357	Covering - Right side . . . . .	1
1	N-4906	G-027358	Covering - Left side. . . . .	1
1	N-4907	G-027700/2	Housing Assy. . . . .	1
1	N-4908	G-027765/1	Rewind Knob Assy . . . . .	1
1	N-4909	G-027774	Screw - Rewind knob. . . . .	1
1	N-4911	G-027910/9	Scale - Distance. . . . .	1
1	N-4912	G-2615/0	Screw - Distance scale . . . . .	2
1	N-4913	G-9003/0	Plate - Name . . . . .	1
2	N-4914	G-027710/1	Counter Advance Assy. . . . .	1
2	N-4915	G-027740	Cap - Exposure meter. . . . .	1
2	N-4916	G-0225/0	Window - Exposure meter . . . . .	1
2	N-4917	G-0226/0	Disk - Plexiglass. . . . .	1
3	N-4918	G-027730/1	Retainer Assy . . . . .	1
3	N-4919	G-028704	Button - Counter setting . . . . .	1
3	N-4920	G-028705	Sleeve - Counter setting button. . . . .	1
4	N-4921	G-021309	Roller Film. . . . .	1

Always give PART NUMBER and NAME when ordering parts

# KODAK RETINA III S CAMERA

FIG.	PART NO.		PART NAME	REQD.
	U.S.	German		
5	N-4922	G-027401/2	Rangefinder Assy. . . . .	1
5	N-4923	G-027625/1	Body Release Push Rod Assy . . . . .	1
5	N-4924	G-027643/2	Exposure Meter Assy . . . . .	1
5	N-4925	G-027685	Knob - Exposure meter . . . . .	1
5	N-4926	G-027686	Spring - Exposure meter . . . . .	1
5	N-4927	G-027927	Button - Body release . . . . .	1
5	N-4928	G-2595/4	Screw - Rangefinder assy to case . . . . .	2
6	N-4929	G-027420/1	Bracket Assy . . . . .	1
6	N-4930	G-027430/1	Mask Support Assy . . . . .	1
6	N-4931	G-027450	Strip - Mask support. . . . .	1
6	N-4932	G-027460/1	Slider Assy. . . . .	1
6	N-4933	G-027464	Screw - Slider lever . . . . .	3
6	N-4934	G-027465	Lever - Slider . . . . .	1
6	N-4935	G-027475	Spring - Mask support. . . . .	1
6	N-4936	G-2114/4	Screw - Mask support strip . . . . .	2
6	N-4937	G-2171/4	Screw - Mask to bracket . . . . .	2
6	N-4938	G-2487/4	Screw - Mask support spring . . . . .	1
6	N-4939	G-2588/1	Screw - Mask assy to movable arm (New style, fillister head). . . . .	2
6	N-4940	G-2597/4	Screw - Mask assy to movable arm (Old style, countersunk) . . . . .	2
7	N-4941	G-027473	Spring - Mirror . . . . .	1
7	N-4942	G-028440	Holder - Mirror. . . . .	1
7	N-4943	G-0195/9	Mirror - Transparent . . . . .	1
7	N-4944	G-0222/9	Mirror . . . . .	1
7	N-4945	G-2596/4	Screw - Mirror holder . . . . .	1
8	N-4946	G-027402	Mount - Rangefinder lens. . . . .	1
8	N-4947	G-027410/1	Movable Arm Assy. . . . .	1
8	N-4948	G-027413/1	Adjusting Arm Assy . . . . .	1
8	N-4949	G-027415	Cam - Rate adjusting . . . . .	1
8	N-4950	G-027416	Nut - Wind and counter release pin . . . . .	1
8	N-4951	G-027418	Washer - Wind and counter release pin . . . . .	1
8	N-4952	G-027428	Spring - Movable arm. . . . .	1
8	N-4953	G-027470	Spring - Eylet glass retaining. . . . .	1
8	N-4954	G-028405	Ring - Rangefinder lens retaining . . . . .	1
8	N-4955	G-0193/0	Lens - Rangefinder. . . . .	1
8	N-4956	G-0196/0	Lens - Eyelet . . . . .	1
8	N-4957	G-0221/0	Lens - Collimator . . . . .	1
8,13	N-4958	G-2042/4	Screw - Rangefinder lens mount (2), Adjusting arm (1) . . . . .	3
8	N-4959	G-4051/0	Washer - Rangefinder lens. . . . .	1
8	N-4960	G-4654/4	Washer - Adjusting arm to movable arm screw. . . . .	1
9	N-4961	G-027025/1	Bottom Frame Assy . . . . .	1
10	N-4962	G-2610/1	Screw - Front to case . . . . .	4
10	N-4963	G-4988/4	Washer - Spring. . . . .	8
11	N-4964	G-027202/2	Front Assy . . . . .	1
12	N-4965	G-027202	Mount - Shutter . . . . .	1
12	N-4966	G-027208	Stud - Setting wheel . . . . .	1
12	N-4967	G-027212	Lever - Body release . . . . .	1
12	N-4968	G-027214	Stud - Body release lever . . . . .	1
12	N-4969	G-027216	Gear - Shutter setting coupler pinion. . . . .	1
12	N-4970	G-027217	Stud - Coupler . . . . .	1
12	N-4971	G-027220	Gear - Shutter setting idler . . . . .	1
12	N-4972	G-027222	Stud - Shutter setting idler gear . . . . .	1
12	N-4973	G-027225	Gear - Setting wheel idler . . . . .	1
12	N-4974	G-027226	Stud - Setting wheel idler. . . . .	1
12	N-4975	G-027240/1	Setting Wheel Assy. . . . .	1
12	N-4976	G-027245	Washer - Setting wheel tension. . . . .	1
12	N-4977	G-2027/1	Screw - Shutter mount to front . . . . .	4
11	N-4978	G-022755	Bushing - Insulating . . . . .	1
11	N-4979	G-027250	Frame - Ornamental. . . . .	1
11	N-4980	G-027255/1	Front Cover Assy. . . . .	1
11	N-4981	G-027265	Sleeve - Guide, front. . . . .	1
11	N-4982	G-027266	Sleeve - Guide, middle . . . . .	1
11	N-4983	G-027267	Sleeve - Guide, rear . . . . .	1
11	N-4984	G-027269	Collet - Rangefinder guide pin . . . . .	1

Always give PART NUMBER and NAME when ordering parts

# SYNCHRO COMPUR SHUTTER FOR THE KODAK RETINA III S CAMERA

FIG.	PART NO.		PART NAME	REQD.
	U.S.	German		
11	N-4985	G-027270	Pin - Guide . . . . .	1
11	N-4986	G-027805	Shutter Complete Assy . . . . .	1
11,14	N-4987	G-2509/1	Screw - Front cover assy to front (3) Angle piece assy to case (1), Setting rack guide plate to case (2). . . . .	6
11	N-4988	G-2570/1	Screw - Insulating bushing . . . . .	1
11	N-4989	G-2600/1	Screw - Shutter to shutter mount. . . . .	4
10	N-4990	G-027260/1	Cable Drum Assy. . . . .	1
10	N-4991	G-027263	Cord - Transmission . . . . .	1
13	N-4992	G-027091	Mask - Light tunnel . . . . .	1
13	N-4993	G-027092	Mask . . . . .	1
13	N-4994	G-027095/1	Accessory Lens Frame Lever Assy. . . . .	1
13	N-4995	G-027105/1	Accessory Lens Frame Adjusting Lever Assy. . . . .	1
13	N-4996	G-027117	Spring - Lens frame lever . . . . .	1
13	N-4997	G-027130/1	Rangefinder Actuating Lever Assy. . . . .	1
14	N-4998	G-026630	Post - Rewind . . . . .	1
14	N-4999	G-027028	Frame - Top. . . . .	1
14	N-5000	G-027150/1	Angle Piece Assy. . . . .	1
14	N-5001	G-027615	Rack - Setting . . . . .	1
14	N-5002	G-027616	Plate - Setting rack guide . . . . .	1
14	N-5003	G-027632	Bearing - Rewind post. . . . .	1
14	N-5004	G-4626/1	Washer - Setting rack guide plate screw. . . . .	2
18	N-5005	G-027020/1	Retaining Plate Assy. . . . .	1
18	N-5006	G-027030/1	Lever - Tensioning. . . . .	1
18	N-5007	G-027032	Screw - Tensioning lever. . . . .	1
18	N-5008	G-027033	Spring - Tensioning lever . . . . .	1
18	N-5009	G-027125/1	Support Plate Assy. . . . .	1
18	N-5010	G-027140/1	Shutter Cocking Shaft Assy. . . . .	1
18	N-5011	G-027002/2	Case Assembly . . . . .	1
5	N-5157	G-027680	Dial - Film speed. . . . .	1
5	N-5166	G-027682	Cover - Film speed dial . . . . .	1
2	N-5167	G-027740/1	Film Speed Window Cap Assy. . . . .	1
5	N-5170	G-027668	Spring - Film speed dial tension. . . . .	1
16	N-5181	G-034549	Gear - Winding shaft (New style). . . . .	1
16	N-5182	G-4663/0	Spacer - Winding shaft pinion (New style). . . . .	1
16	N-5183	G-035545	Pawl - Winding shaft (New style). . . . .	1
16	N-5184	G-034532	Gear - Film advance drive (New style). . . . .	1
17	N-5185	G-034500/1	Winding Shaft Assy (New style). . . . .	1
1	120012		Buckle - Camera shoulder strap. . . . .	2
1	136827		Camera Shoulder Strap Assy . . . . .	1

# SYNCHRO COMPUR SHUTTER FOR THE KODAK RETINA III S CAMERA

FIG.	PART NO.	PART NAME	REQD.
22	N-4270	Spring - Cocking ring . . . . .	1
23	N-4276	Screw - Synchro cover plate. . . . .	1
23	N-4277	Screw - Synchro cover plate, shoulder . . . . .	1
23	N-4278	Spring - Main drive lock . . . . .	1
23	N-4279	Spring - Synchro gear . . . . .	1
23	N-4280	Contact Lever Assy . . . . .	1
23	N-4281	Synchro Lever Assy . . . . .	1
23	N-4282	Spring - Synchro lever . . . . .	1
23	N-4283	Synchro Sector Assy . . . . .	1
23	N-4284	Synchro Gear Assy . . . . .	1
27	N-4285	Spring - Blade operating check. . . . .	1
27	N-4286	Spring - Synchro lock . . . . .	1
27	N-4287	Lever - Bulb . . . . .	1
27	N-4288	Screw - Bulb lever . . . . .	1
27	N-4290	Spring - Self timer . . . . .	1
24	N-4292	Spring - Main drive . . . . .	1
24	N-4293	Main Drive Assy . . . . .	1
28	N-4294	Plate - Synchro gear spring anchor . . . . .	1
28	N-4295	Screw - Synchro gear spring anchor plate. . . . .	1

Always give PART NUMBER and NAME when ordering parts

# SYNCHRO COMPUR SHUTTER FOR THE KODAK RETINA III S CAMERA

FIG.	PART NO.	PART NAME	REQD.
24	N-4296	Screw - Retard gear train, short. . . . .	1
24	N-4298	Retard Gear Train Assy . . . . .	1
24	N-4299	Screw - Delayed action gear train. . . . .	1
24	N-4300	Delayed Action Gear Train Assy. . . . .	1
28	N-4301	Stop - Main drive gear . . . . .	1
28	N-4302	Screw - Main drive stop . . . . .	1
28	N-4304	Screw - Shutter tube retaining . . . . .	2
25	N-4312	Screw - Case to mechanism plate . . . . .	1
29	N-4357	Lever - Synchro lock . . . . .	1
29	N-4358	Stud - Synchro lock lever. . . . .	1
29	N-4359	Lever - Synchro. . . . .	1
29	N-4360	Stud - Synchro lever . . . . .	1
29	N-4361	Stud - Synchro gear . . . . .	1
29	N-4362	Stud - Time release lever . . . . .	1
29	N-4363	Lever - Time release. . . . .	1
29	N-4364	Stud - Pallet . . . . .	1
29	N-4365	Pallet. . . . .	1
26	N-4366	Rivet - Contact plate. . . . .	2
26	N-4367	Plate - Contact block retaining. . . . .	1
26	N-4368	Block - Contact . . . . .	1
26	N-4369	Point - Contact . . . . .	1
26	N-4370	Stud - Synchro selector tension spring. . . . .	1
26	N-4371	Spring - Synchro selector tension . . . . .	1
22	N-4698	Retainer - Speed ring . . . . .	1
24	N-4709	Screw - Retard gear train, long . . . . .	1
19	N-5069	Front Shroud Assy . . . . .	1
19	N-5072	Ring - Diaphragm scale. . . . .	1
19	N-5073	Spring - Diaphragm scale ring . . . . .	1
19	N-5074	Intermediate Brass Ring Assy . . . . .	1
19	N-5076	Speed Scale Ring Assy. . . . .	1
19	N-5077	Button - Speed scale ring. . . . .	2
19	N-5078	Screw - Speed scale ring button . . . . .	4
19	N-5080	Coupler Shaft and Pinion Assy . . . . .	1
19	N-5081	Gear - Coupler shaft idler. . . . .	1
20	N-5082	Screw - Shutter to lens mount. . . . .	3
20	N-5083	Ball - Speed scale ring . . . . .	1
20	N-5084	Plate - Dust cover . . . . .	1
20	N-5085	Lens Mount Assy . . . . .	1
25	N-5088	Flash Ring Retaining Plate Assy. . . . .	1
25	N-5089	Screw - Flash ring retaining plate. . . . .	3
25	N-5090	Flash Set Lever Assy . . . . .	1
22	N-5094	Ring - Speed . . . . .	1
22	N-5095	Cocking Ring Gear Assy . . . . .	1
22	N-5097	Cocking Ring and Spring Assy. . . . .	1
23	N-5101	Trigger Assy. . . . .	1
23	N-5103	Synchro Cover Plate Assy . . . . .	1
22	N-5106	Coupler Shaft Idler Gear Bearing Bracket Assy. . . . .	1
22	N-5107	Screw - Coupler idler gear bracket. . . . .	2
25	N-5108	Blade - Shutter, common. . . . .	4
25	N-5109	Blade - Shutter, notched . . . . .	1
25	N-5110	Blade - Shutter, cover. . . . .	1
26	N-5111	Plate - Case filler . . . . .	1
26	N-5112	Screw - Case filler plate. . . . .	3
26	N-5113	Shutter Case Assy . . . . .	1
28	N-5115	Ring - Blade control. . . . .	1
28	N-5118	Mechanism Plate Assy . . . . .	1
21	N-5171	Spring - Detent ball . . . . .	1
21	N-5172	Stud - Detent ball spring . . . . .	1
21	N-5173	Spring - Lens mount tension. . . . .	3
21	N-5174	Stud - Lens mount tension spring . . . . .	3
21	N-5175	Lever - Lens lock . . . . .	1
21	N-5176	Stud - Lens lock lever. . . . .	1
21	N-5177	Spring - Lens lock lever . . . . .	1
28	N-5219	Tube - Shutter. . . . .	1

Always give PART NUMBER and NAME when ordering parts

## KODAK RETINA FIELD CASE. MODELS C AND D

---

FIG.	PART NO.	PART NAME	REQD.
30	N-4338	Shoulder Strap Assy . . . . .	1
30	N-4392	Screw - Camera retaining . . . . .	1
30	N-4393	Plate - Camera retaining screw . . . . .	1
30	N-4394	Plate - Snap button stud catch. . . . .	1
30	N-4402	Cap - Snap button . . . . .	1
30	N-4403	Socket - Snap button cap . . . . .	1
30	N-4404	Post - Snap button . . . . .	1
30	N-4405	Stud - Snap button post . . . . .	1
30	N-4406	Sleeve - Snap button post sleeve . . . . .	1
30	N-4767	Loop - Strap . . . . .	2
30	N-5064	Field Case Cover Assy (f/1.9-50mm, Model C) . . . . .	1
30	N-5065	Field Case Bottom Assy . . . . .	1
30	N-5066	Field Case Cover Assy (f/2.8-50mm, Model D) . . . . .	1
30	121934	Stud - Shoulder strap . . . . .	2

Always give PART NUMBER and NAME when ordering parts