

Corrected to MAY 1965

Parts List No. 769172

KODAK RETINA IIF CAMERA

KODAK RETINA FIELD CASE, Model D



**Order parts from Eastman Kodak Company, Apparatus Parts Service
800 Lee Road, Rochester, New York 14650**

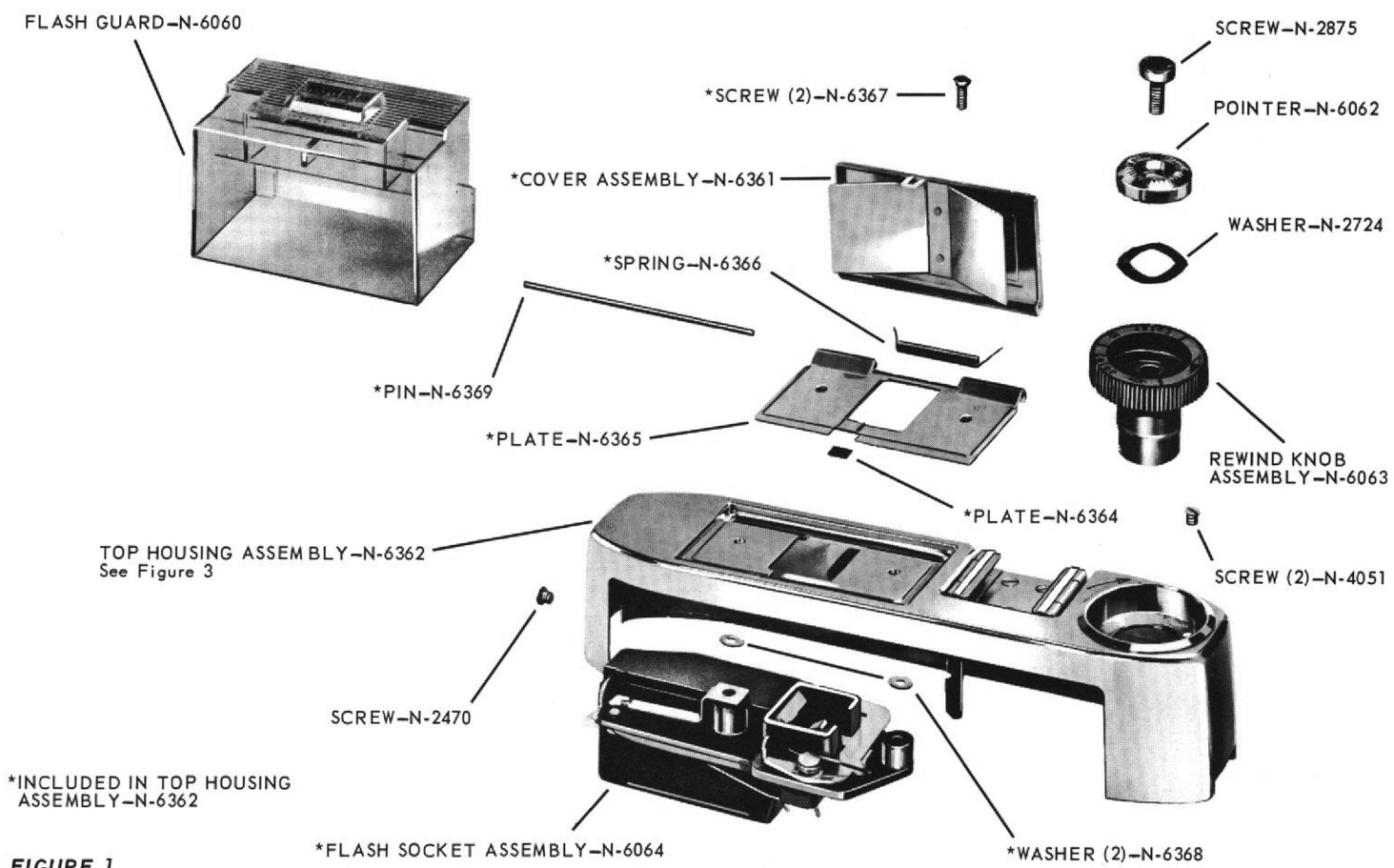


FIGURE 1

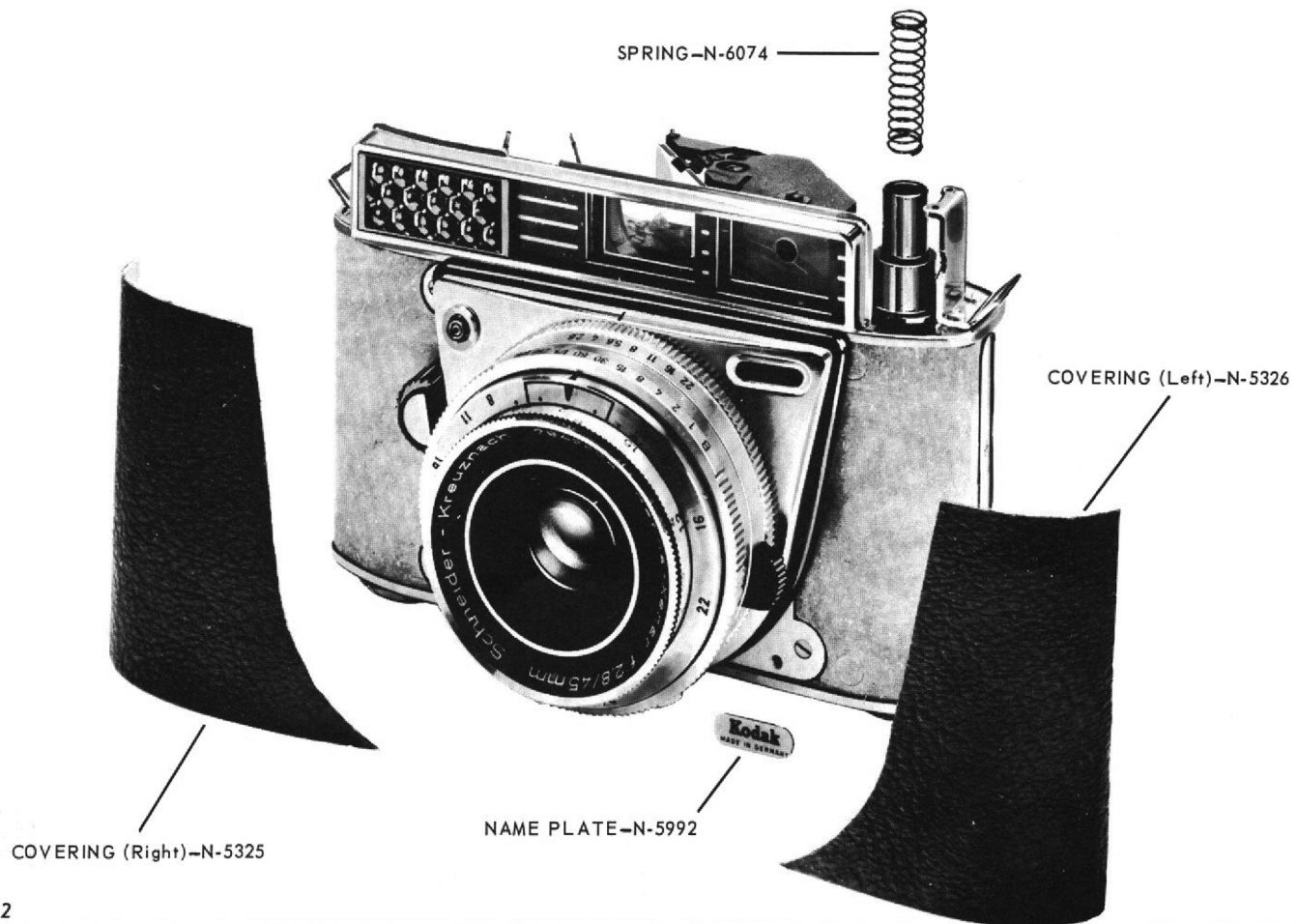


FIGURE 2

Always give PART NUMBER and NAME when ordering parts

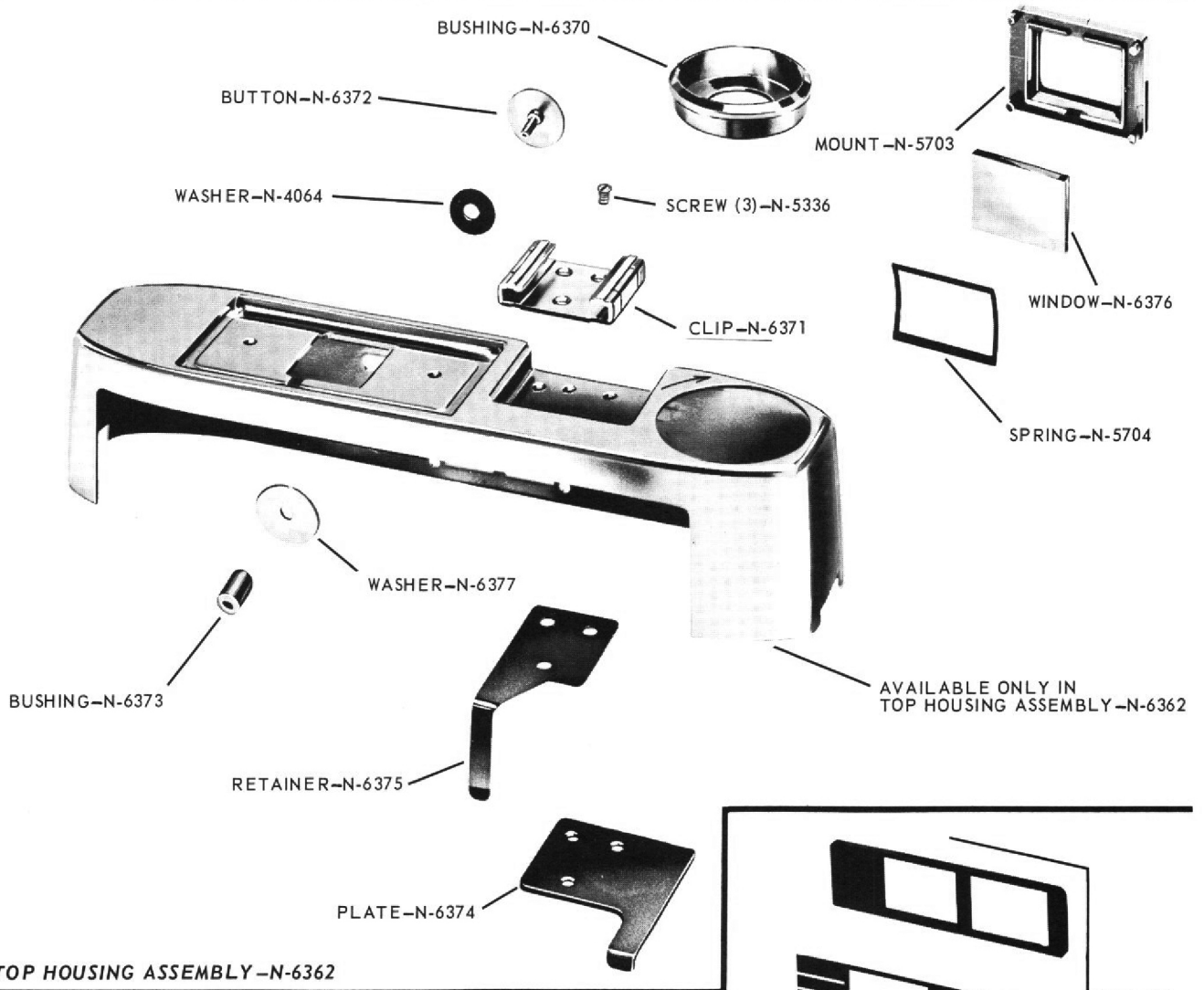


FIGURE 3 TOP HOUSING ASSEMBLY-N-6362

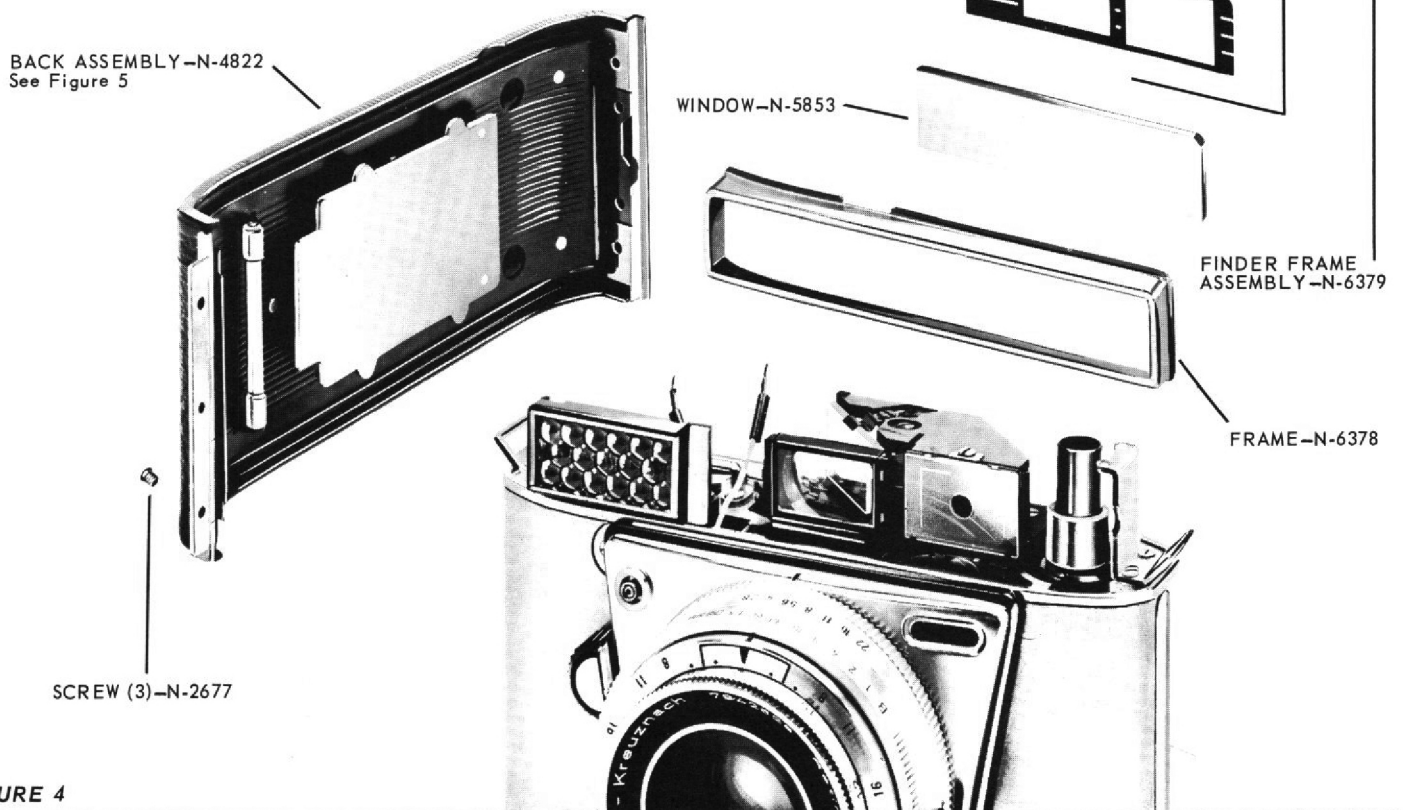


FIGURE 4

Always give PART NUMBER and NAME when ordering parts

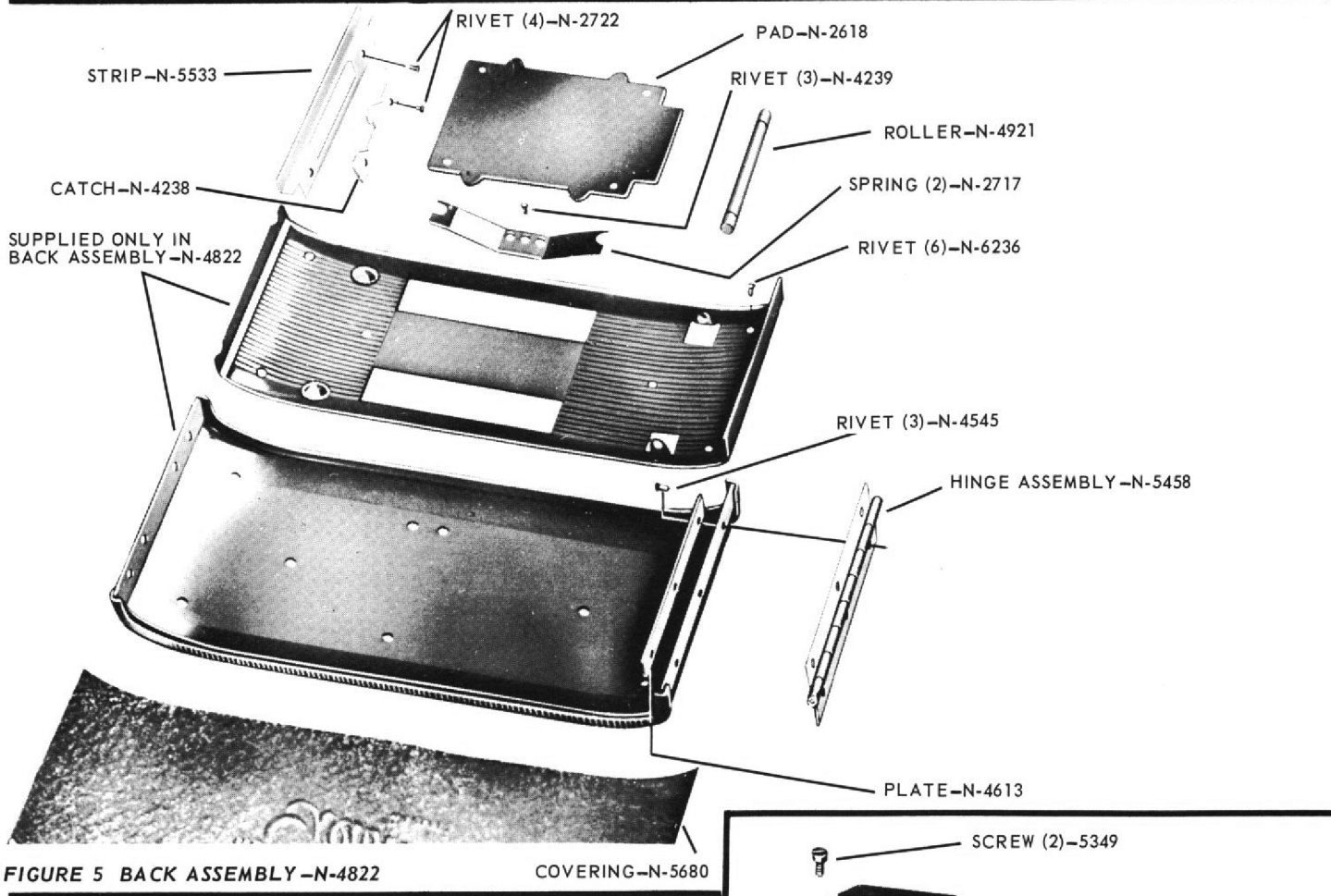


FIGURE 5 BACK ASSEMBLY-N-4822

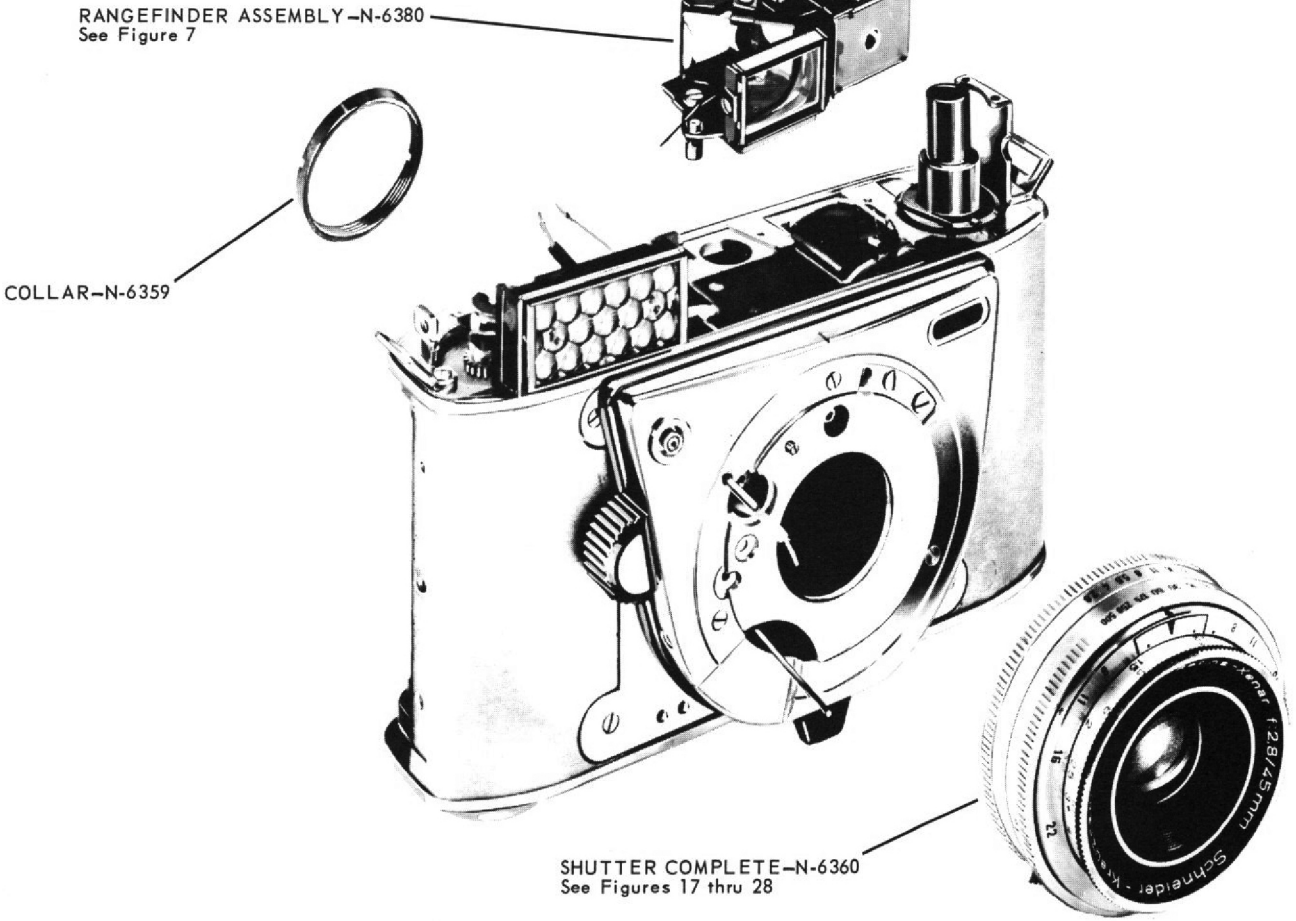


FIGURE 6

Always give PART NUMBER and NAME when ordering parts

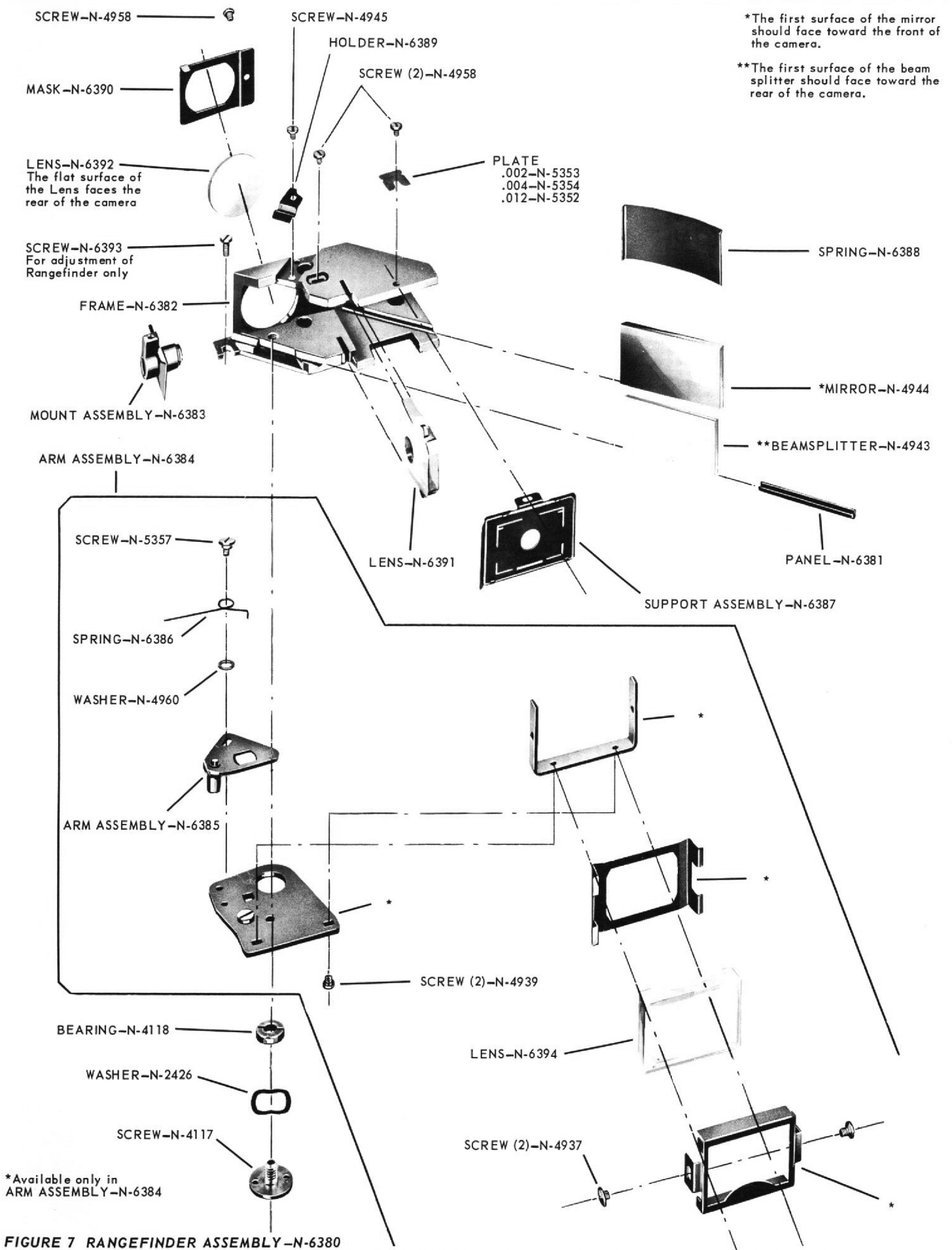


FIGURE 7 RANGEFINDER ASSEMBLY-N-6380

Always give PART NUMBER and NAME when ordering parts

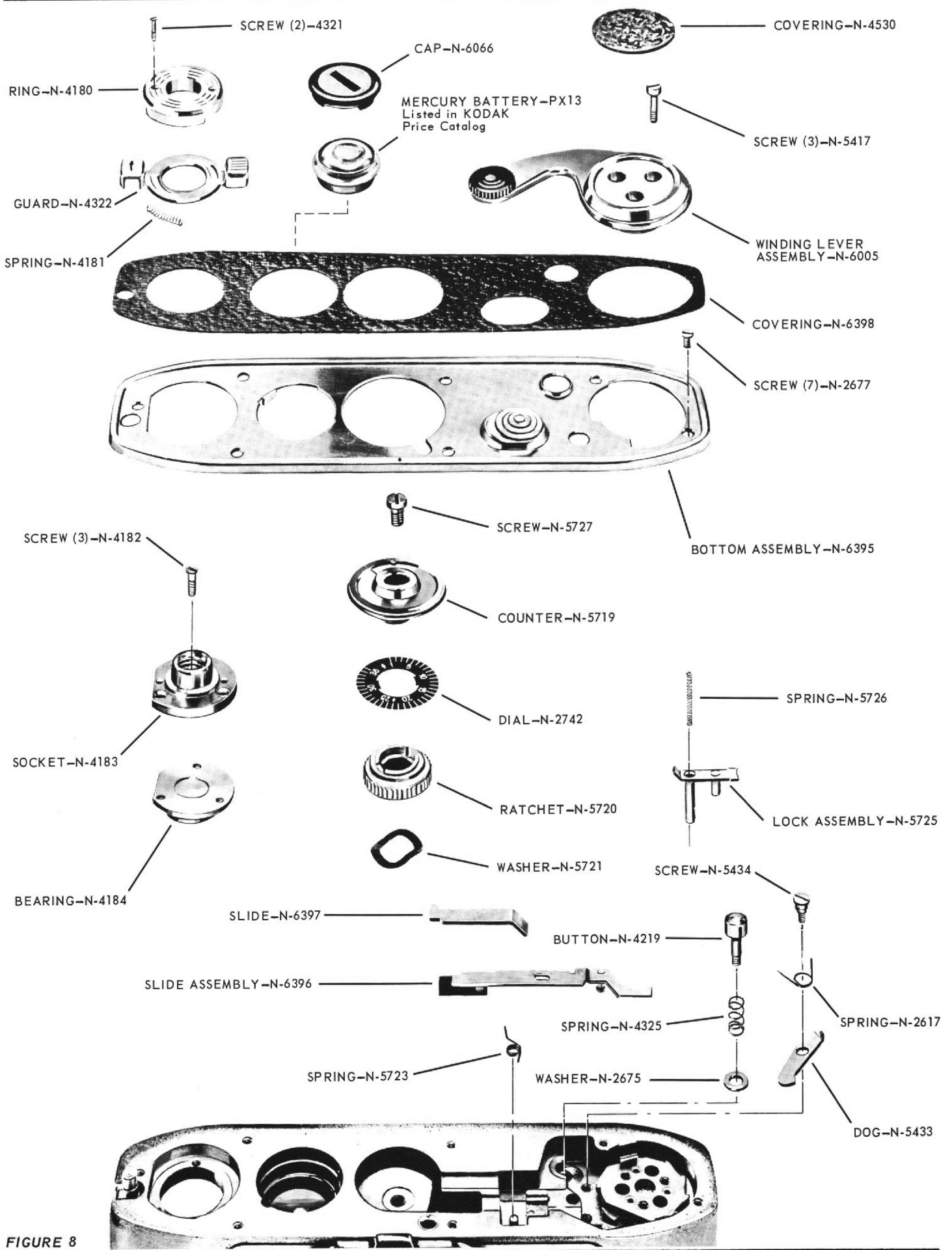


FIGURE 8

Always give PART NUMBER and NAME when ordering parts

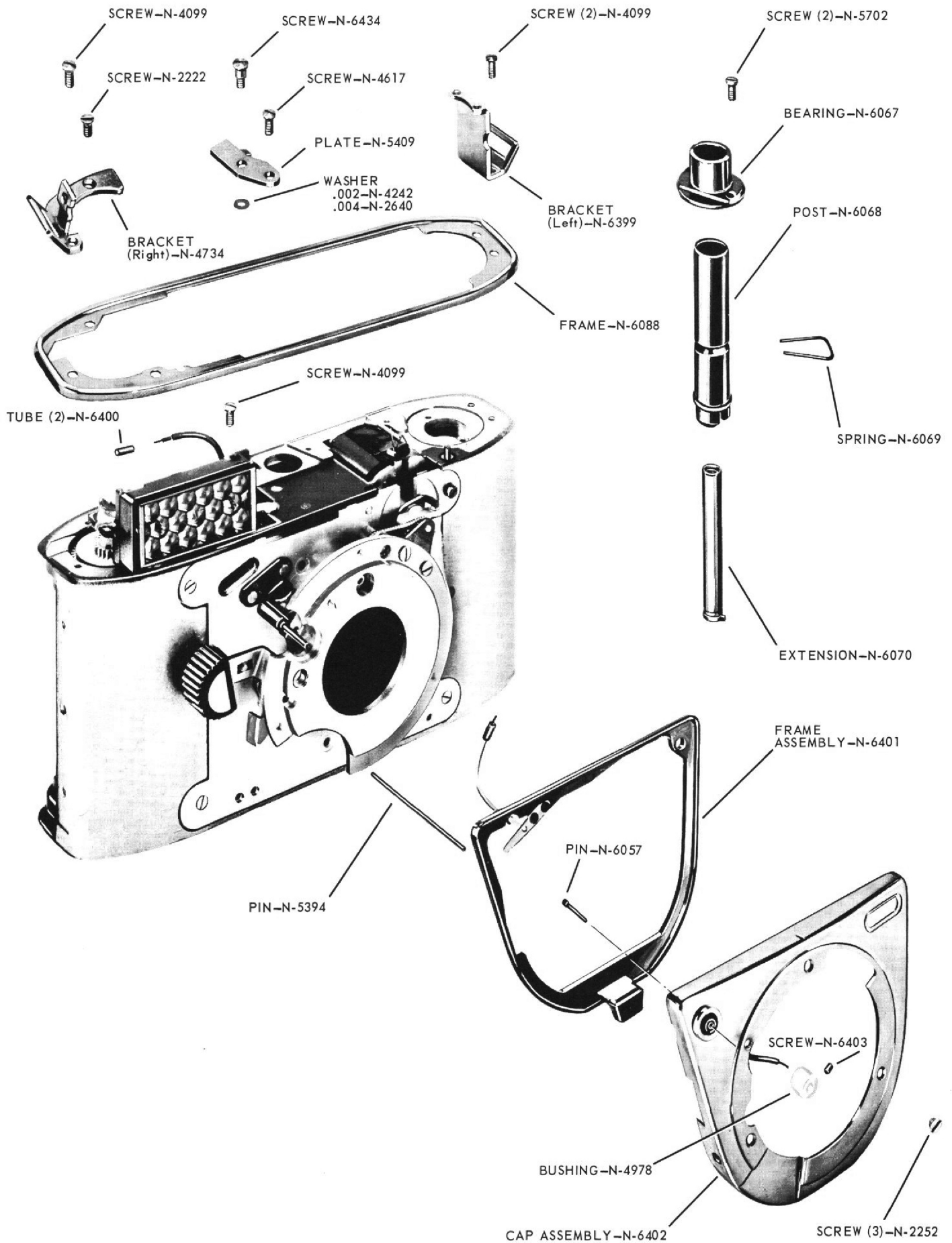


FIGURE 9

Always give PART NUMBER and NAME when ordering parts

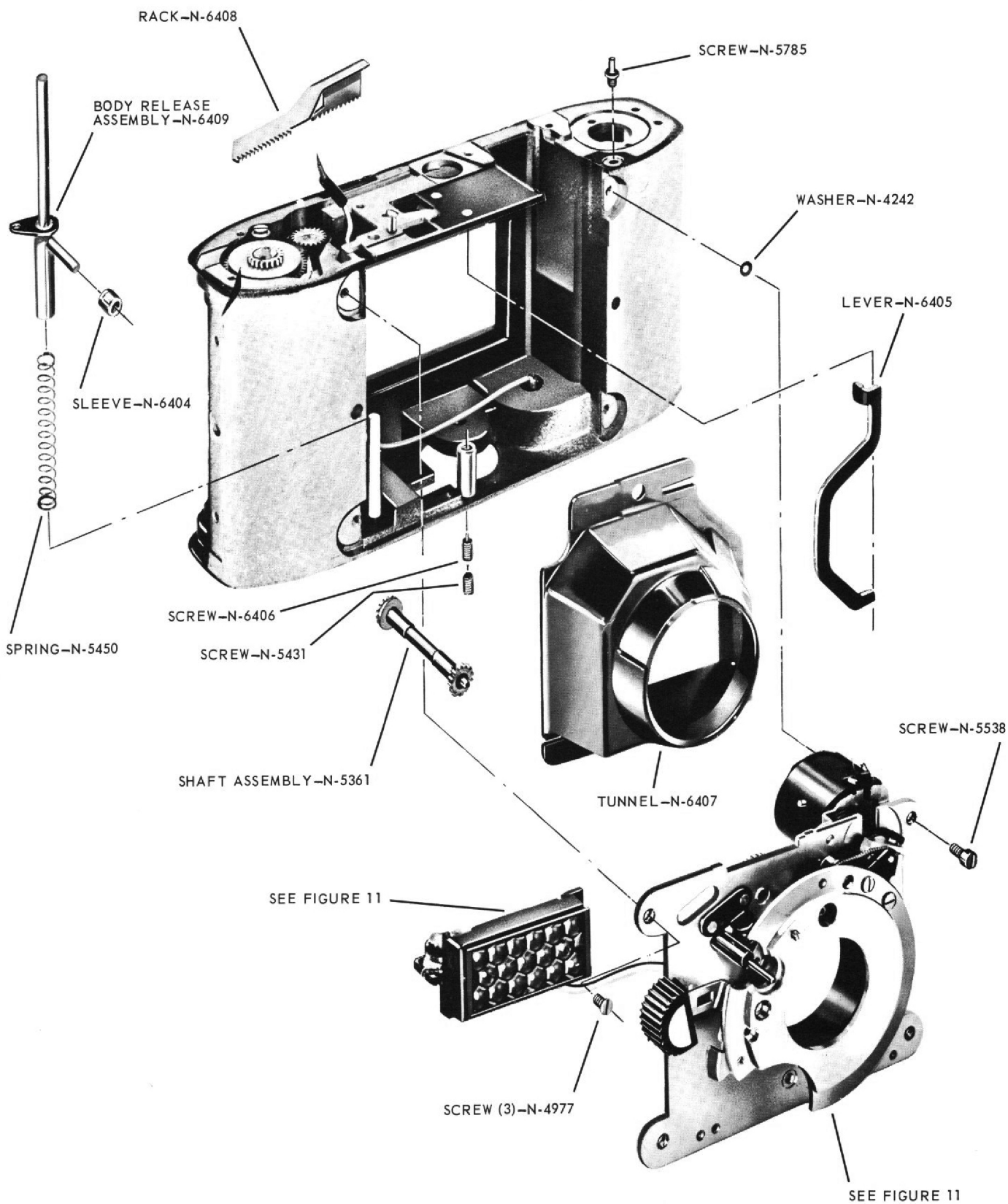


FIGURE 10

Always give PART NUMBER and NAME when ordering parts

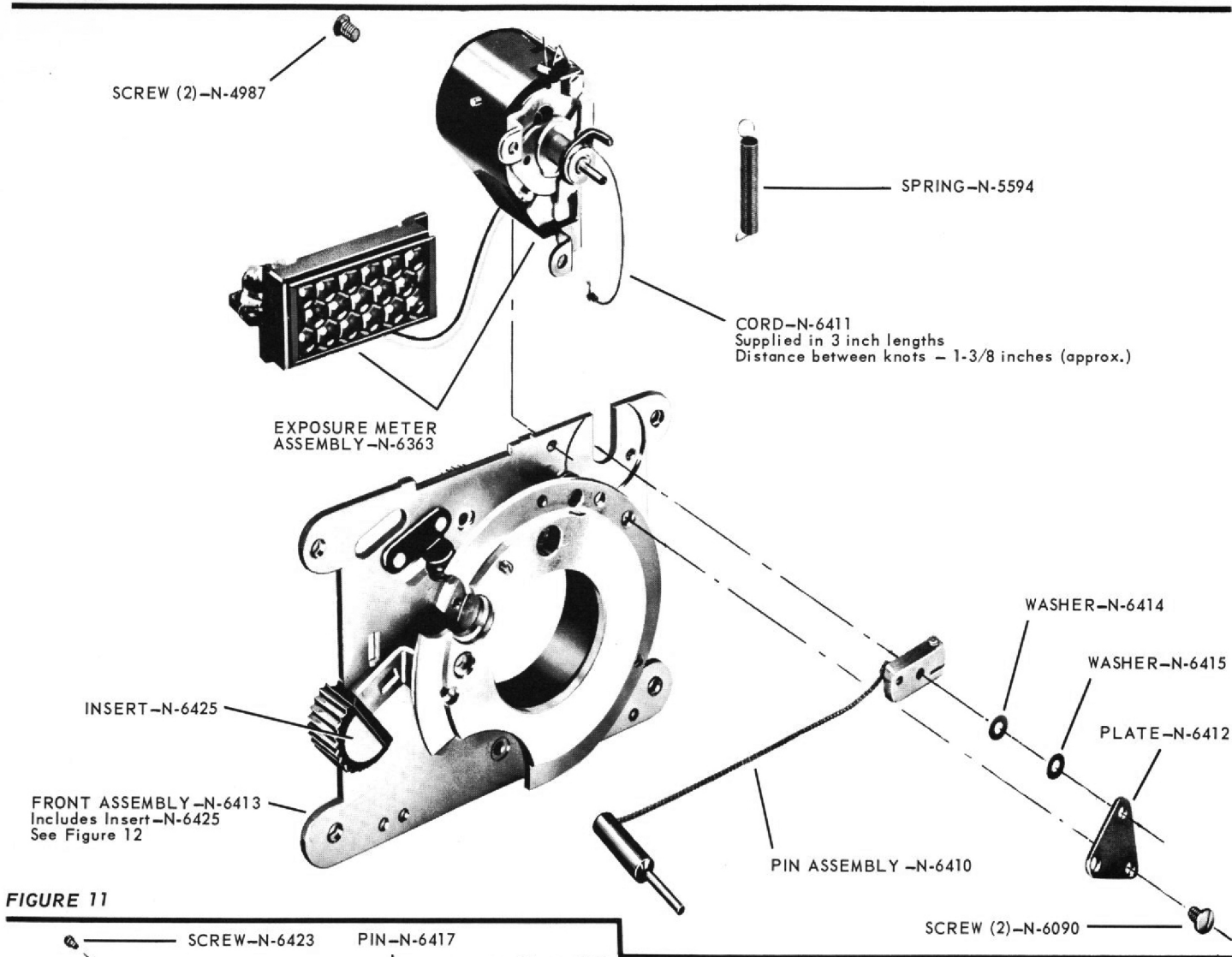
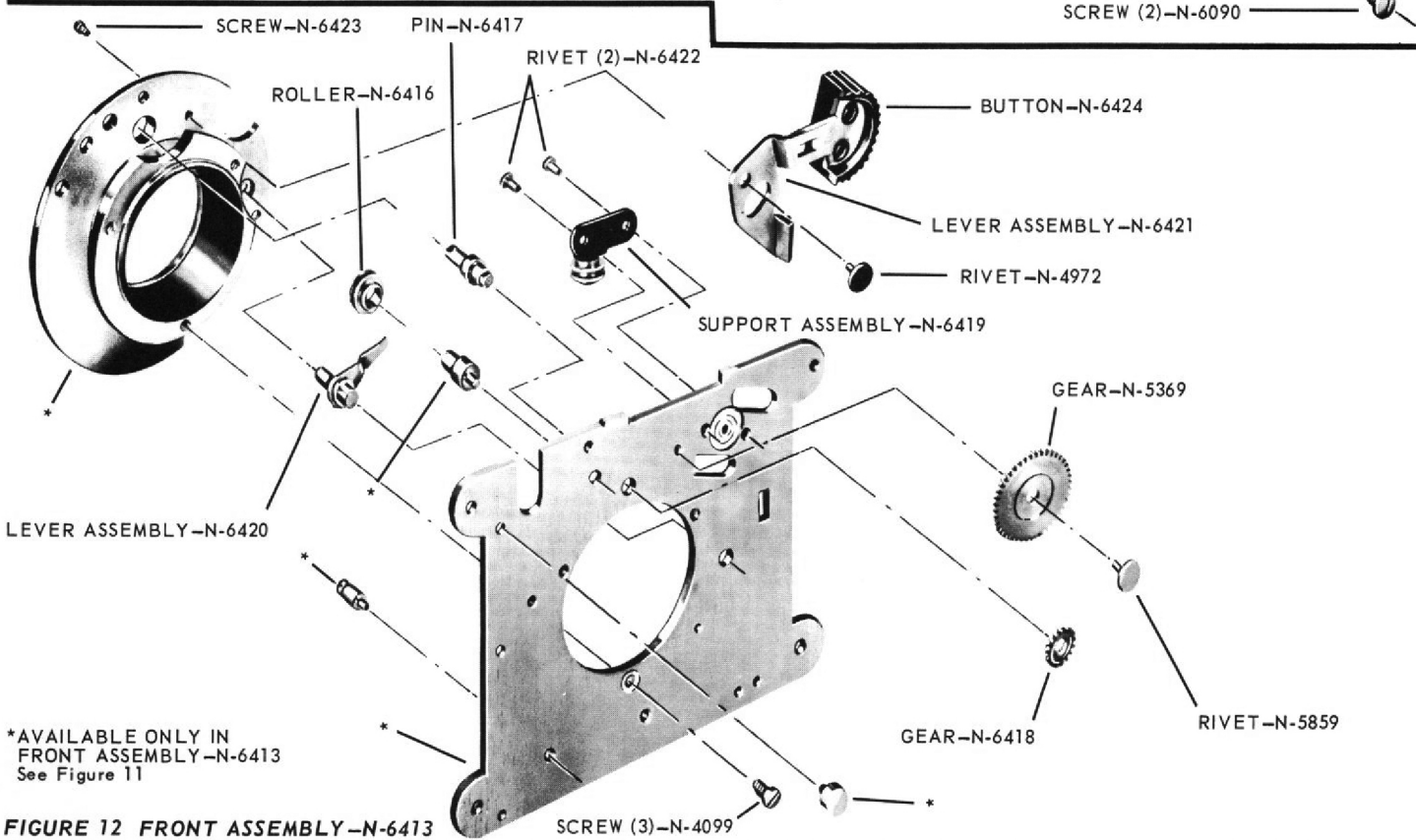


FIGURE 11



*AVAILABLE ONLY IN FRONT ASSEMBLY-N-6413 See Figure 11

FIGURE 12 FRONT ASSEMBLY-N-6413

Always give PART NUMBER and NAME when ordering parts

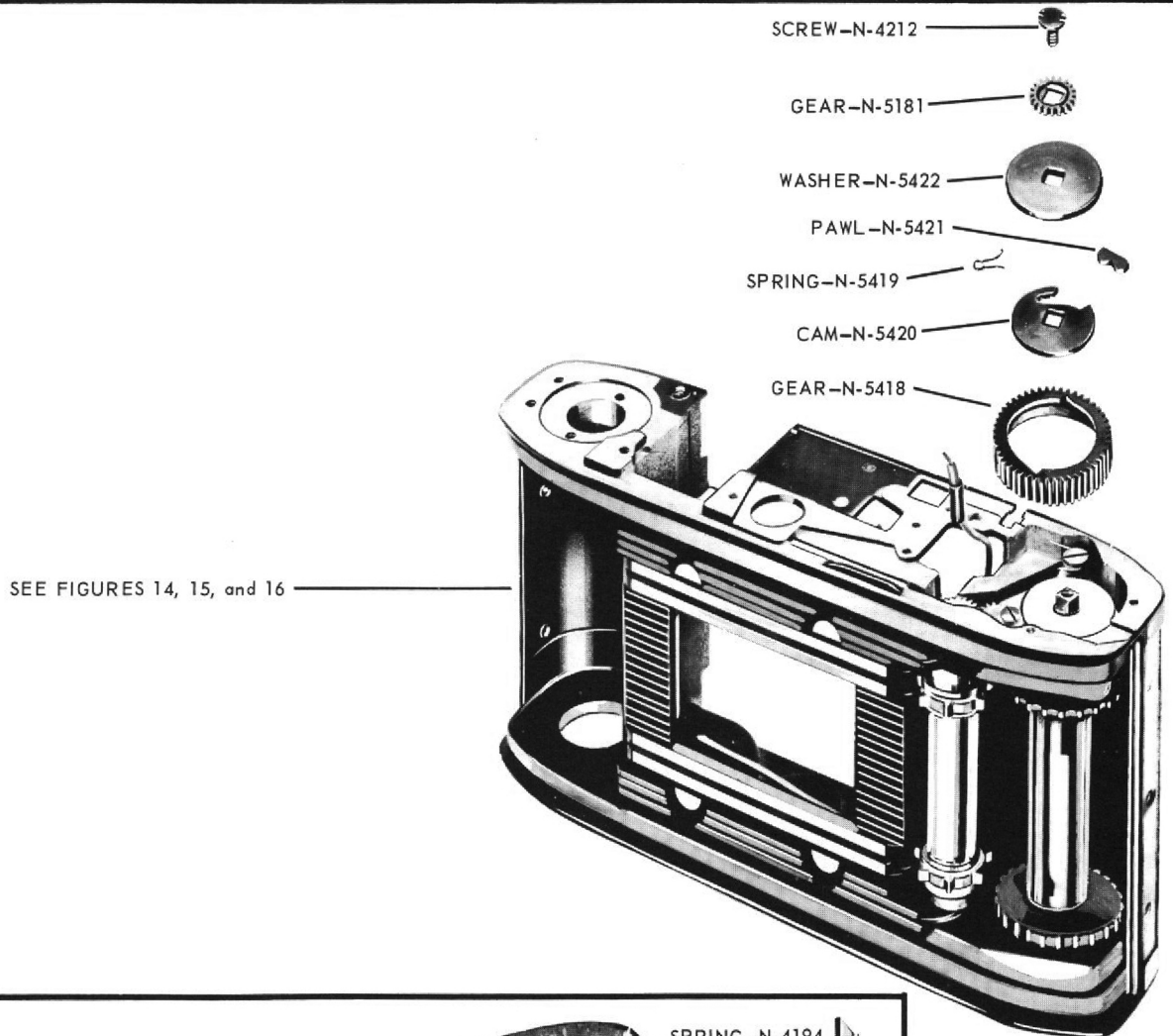


FIGURE 13

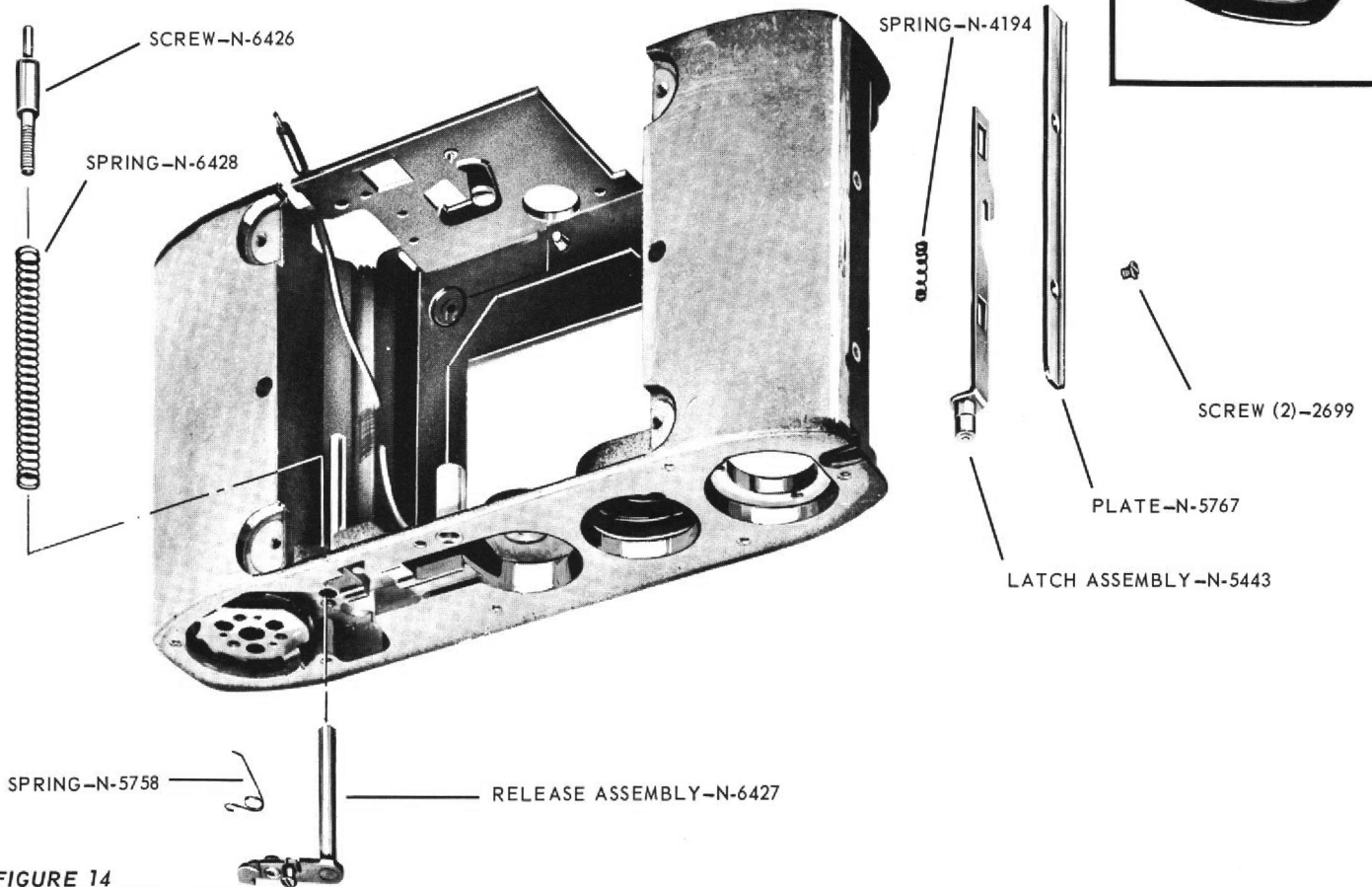


FIGURE 14

Always give PART NUMBER and NAME when ordering parts

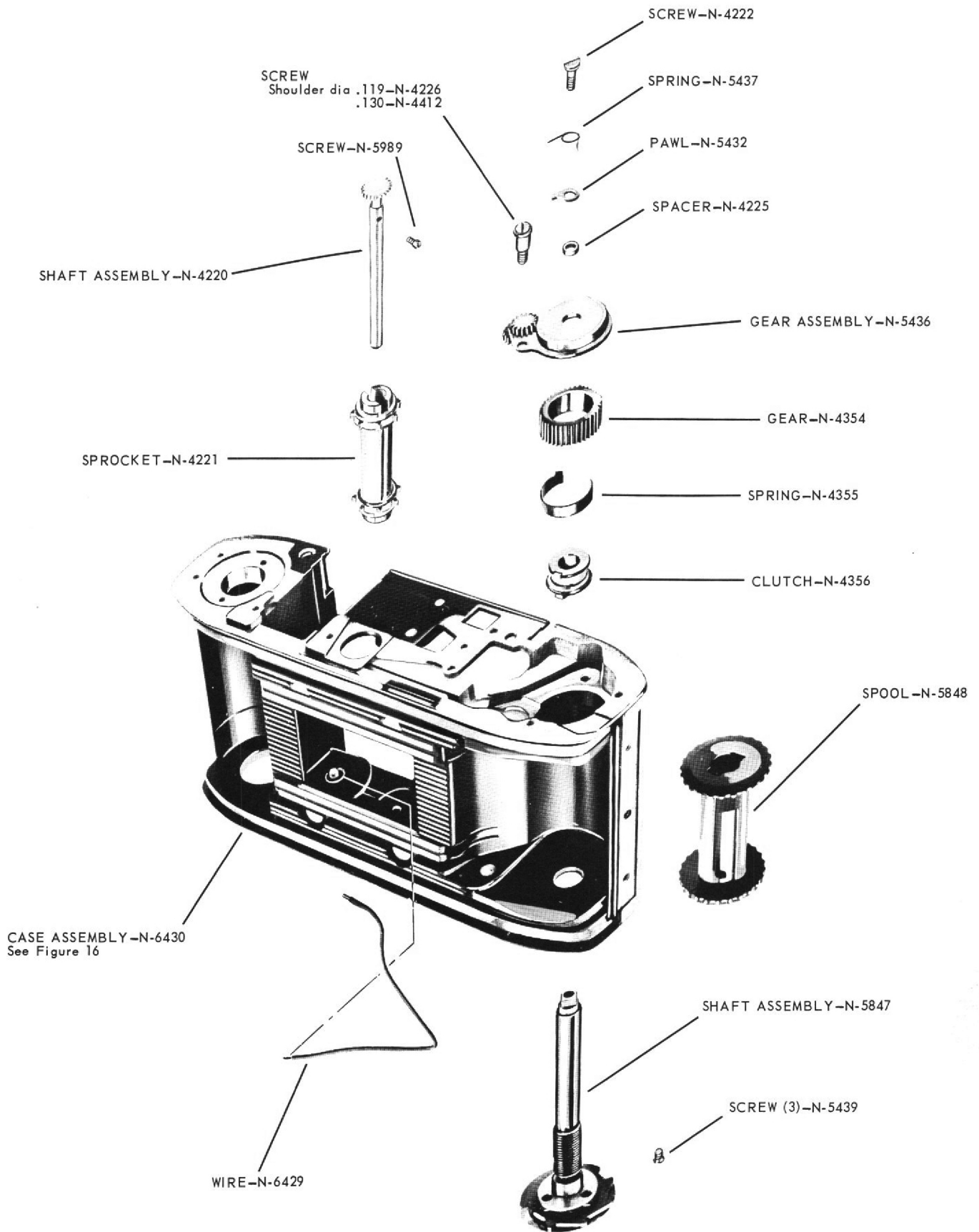


FIGURE 15

Always give PART NUMBER and NAME when ordering parts

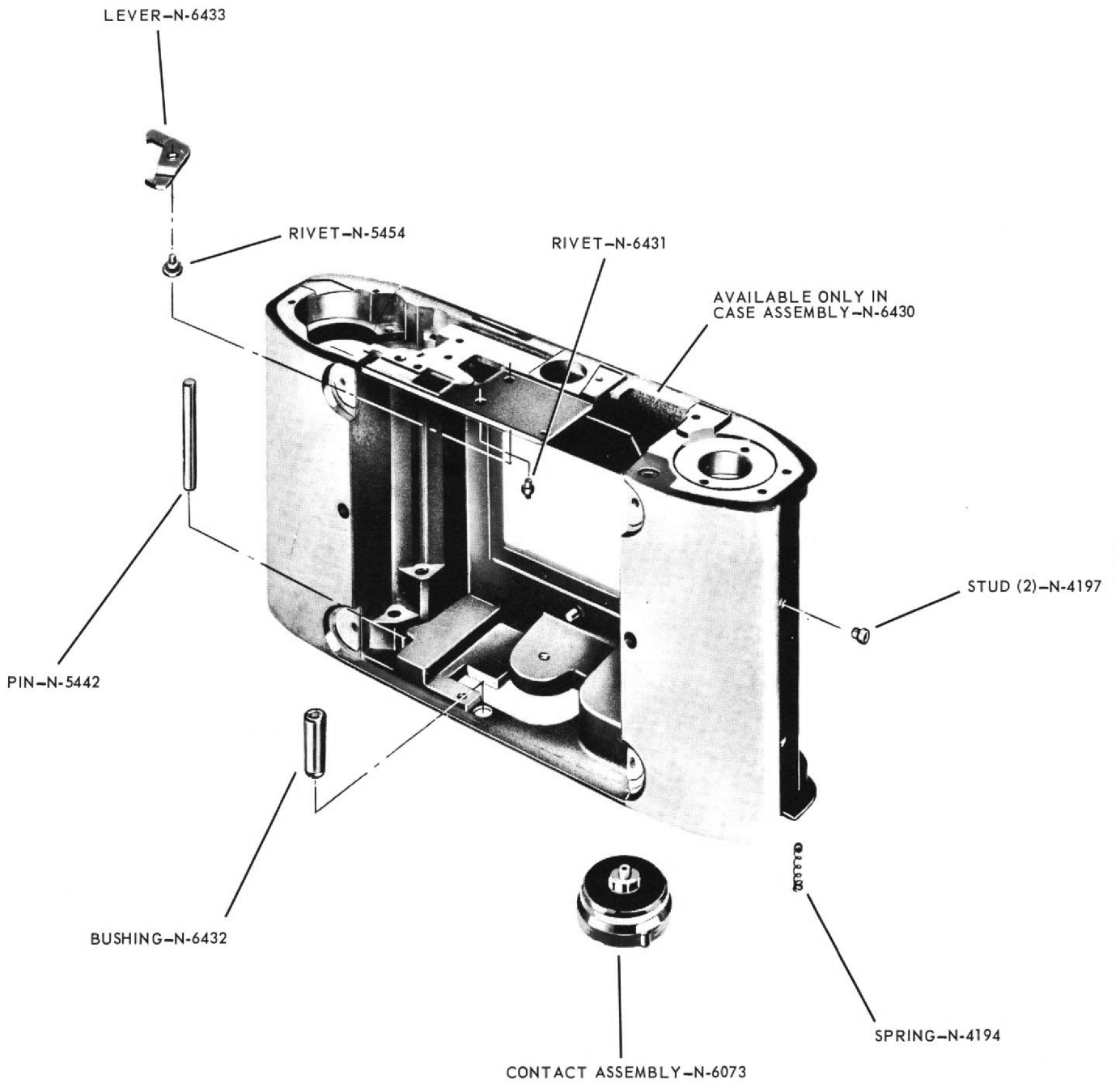


FIGURE 16 CASE ASSEMBLY-N-6430

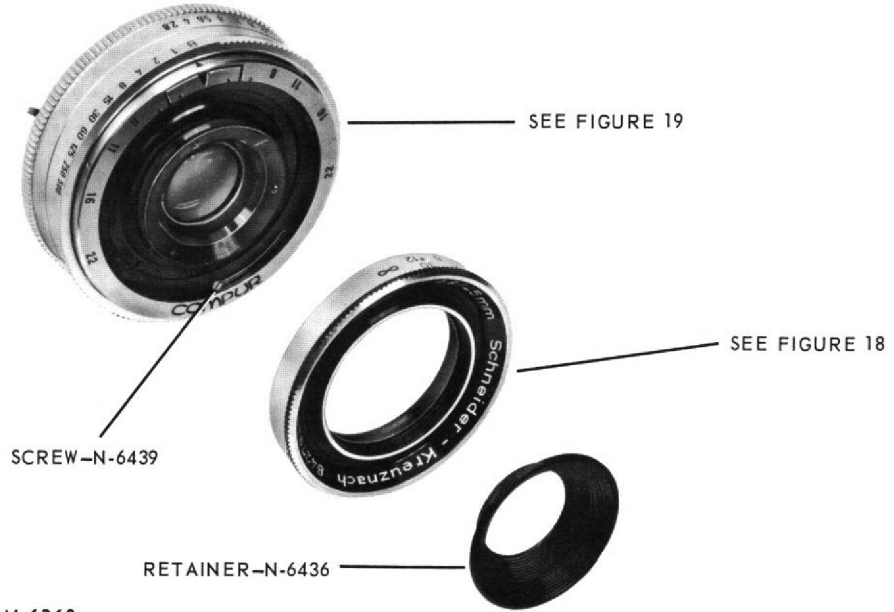


FIGURE 17 SHUTTER COMPLETE-N-6360

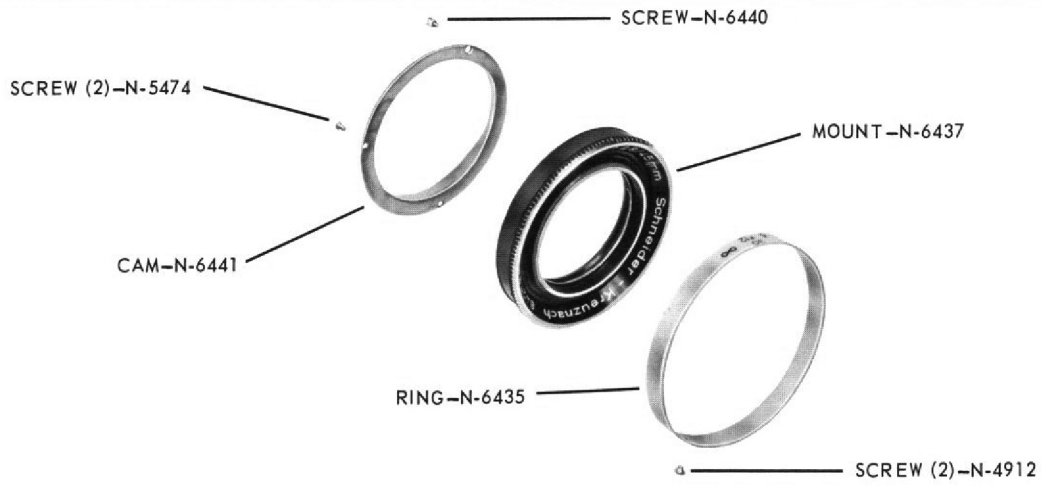


FIGURE 18

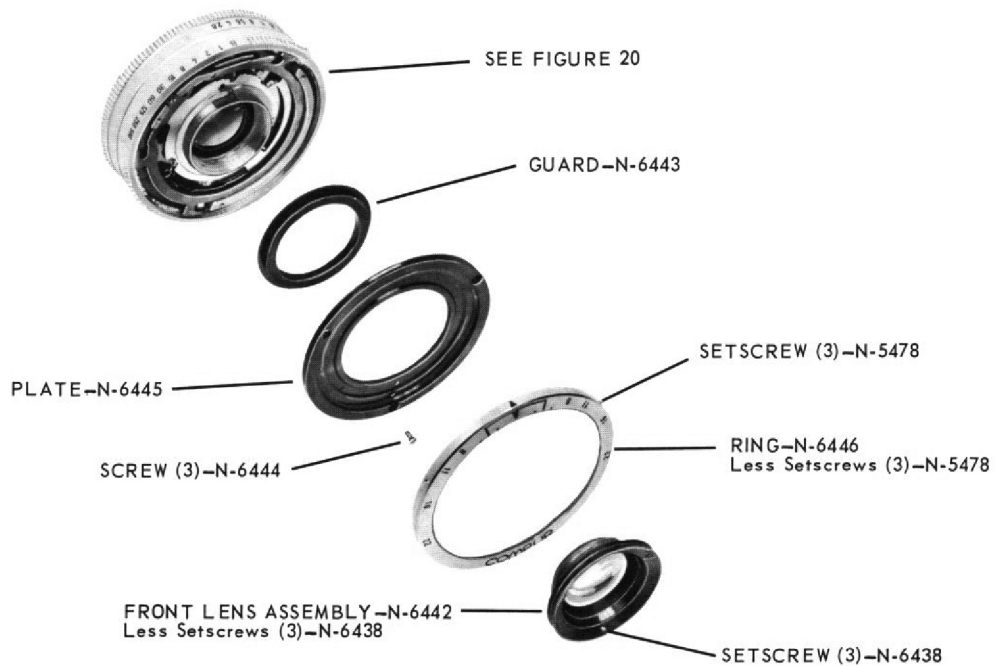


FIGURE 19

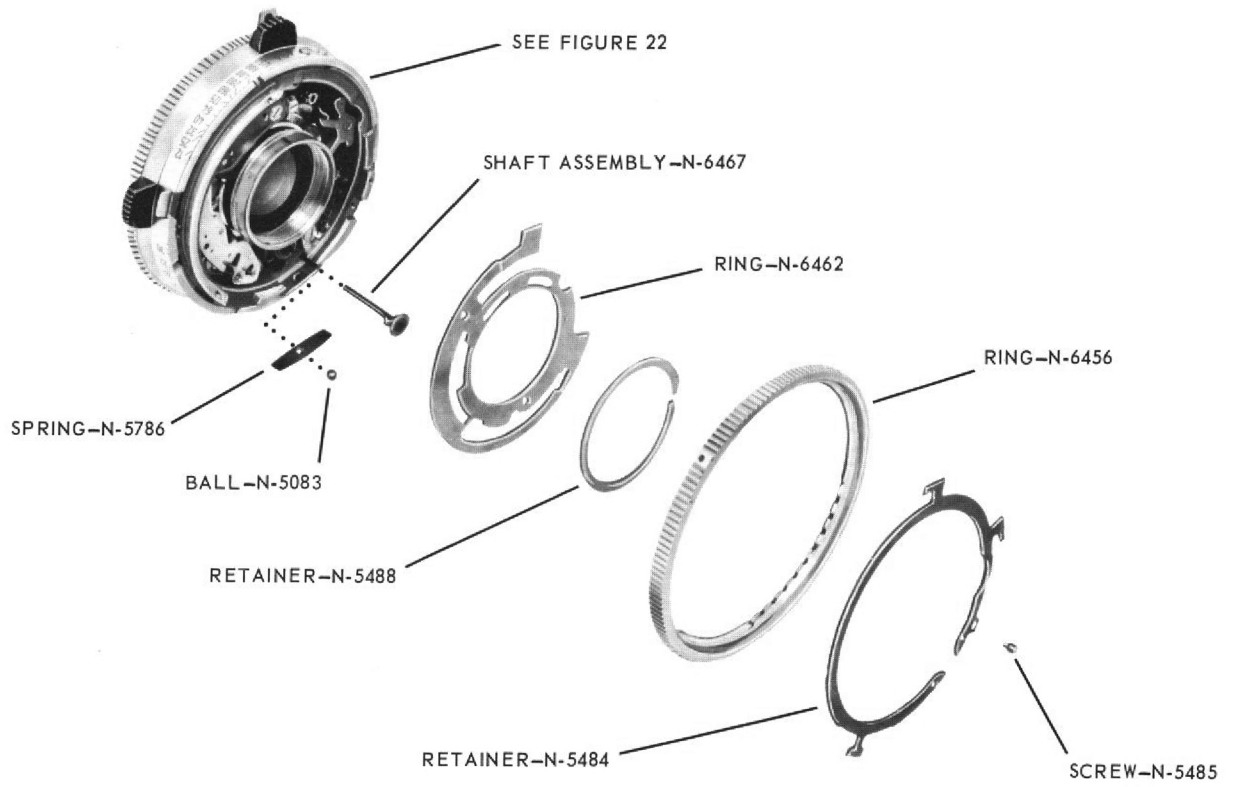


FIGURE 20



FIGURE 21 THIS ILLUSTRATION SHOWS COMPONENT PARTS IN POSITION

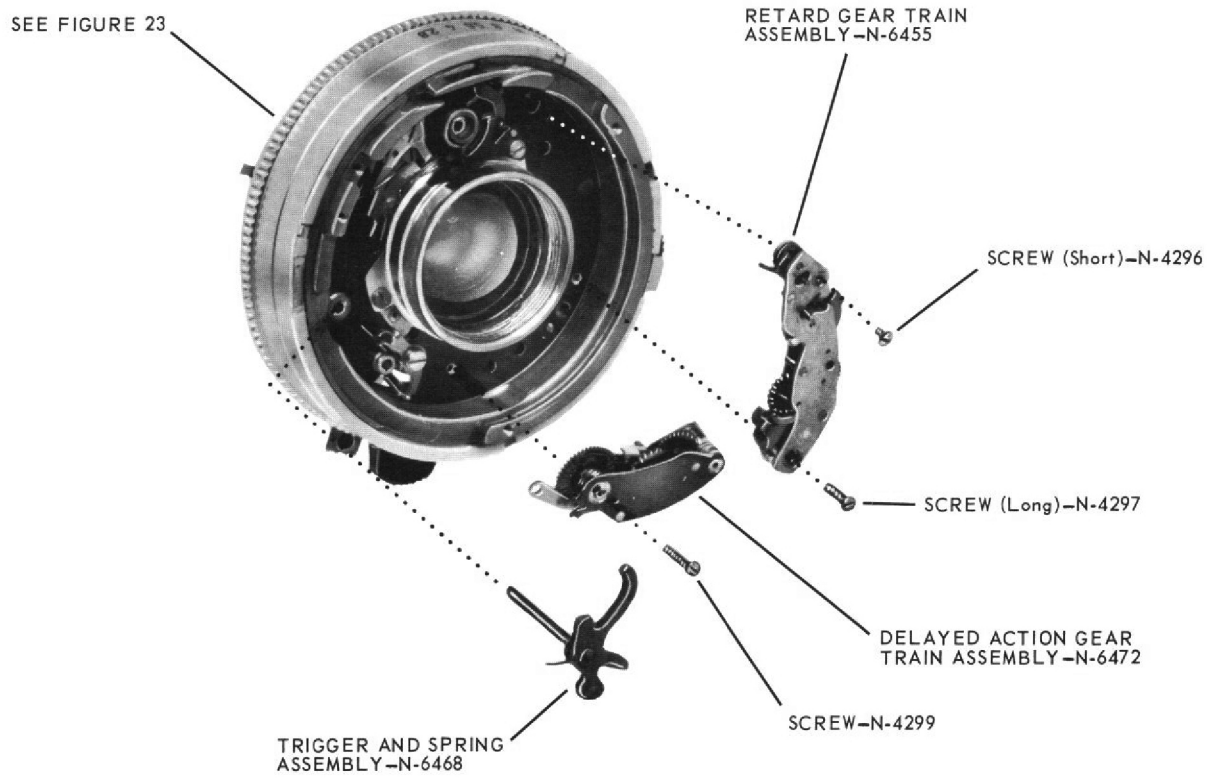


FIGURE 22

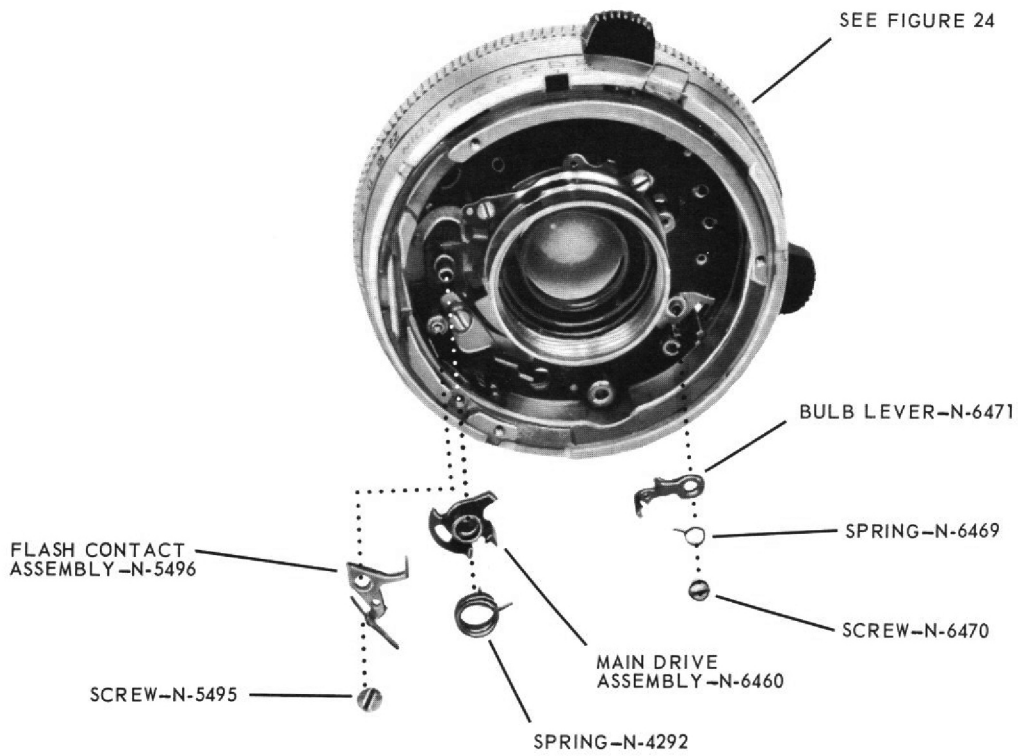


FIGURE 23

Always give PART NUMBER and NAME when ordering parts

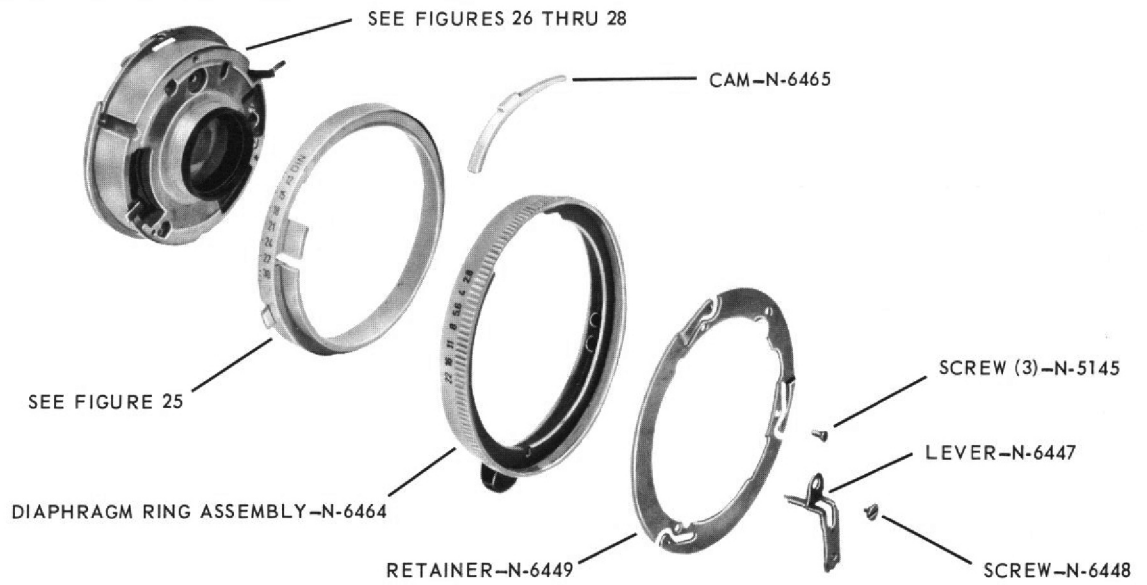


FIGURE 24



FIGURE 25

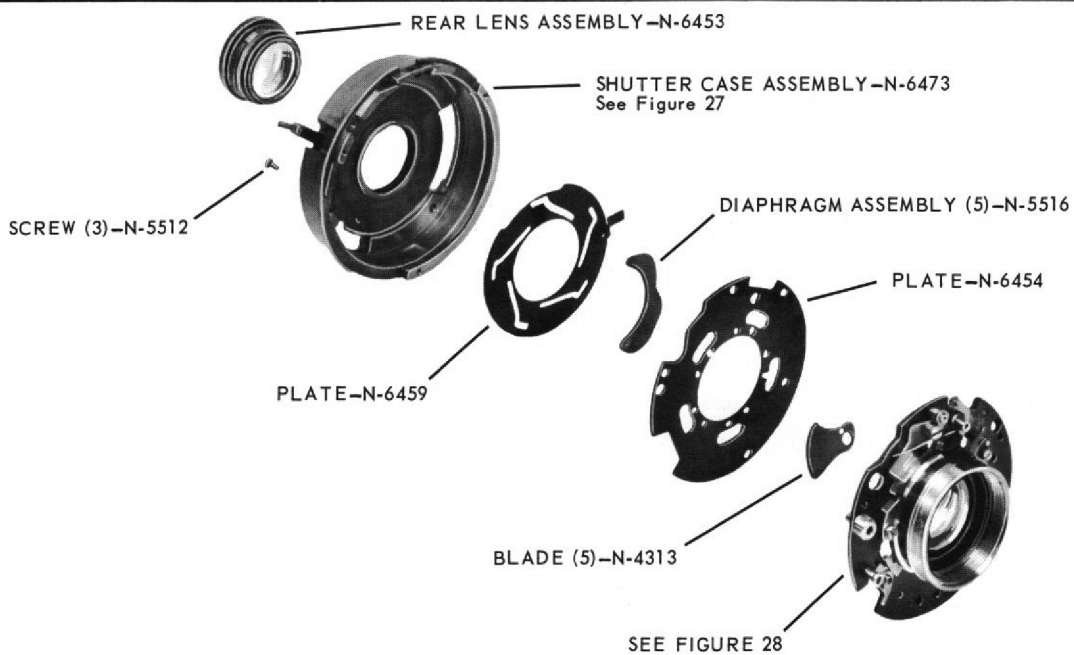


FIGURE 26

Always give PART NUMBER and NAME when ordering parts

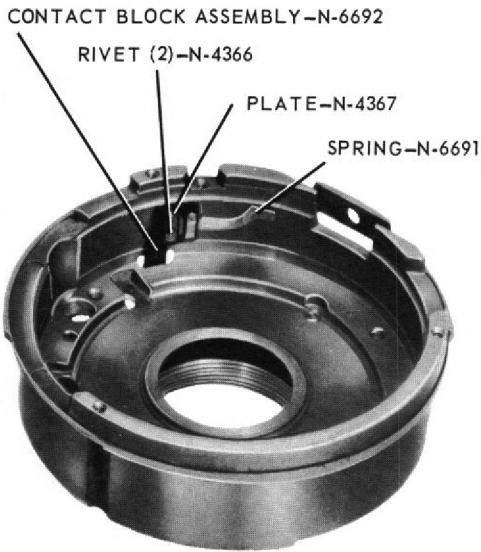


FIGURE 27 SHUTTER CASE ASSEMBLY-N-6473

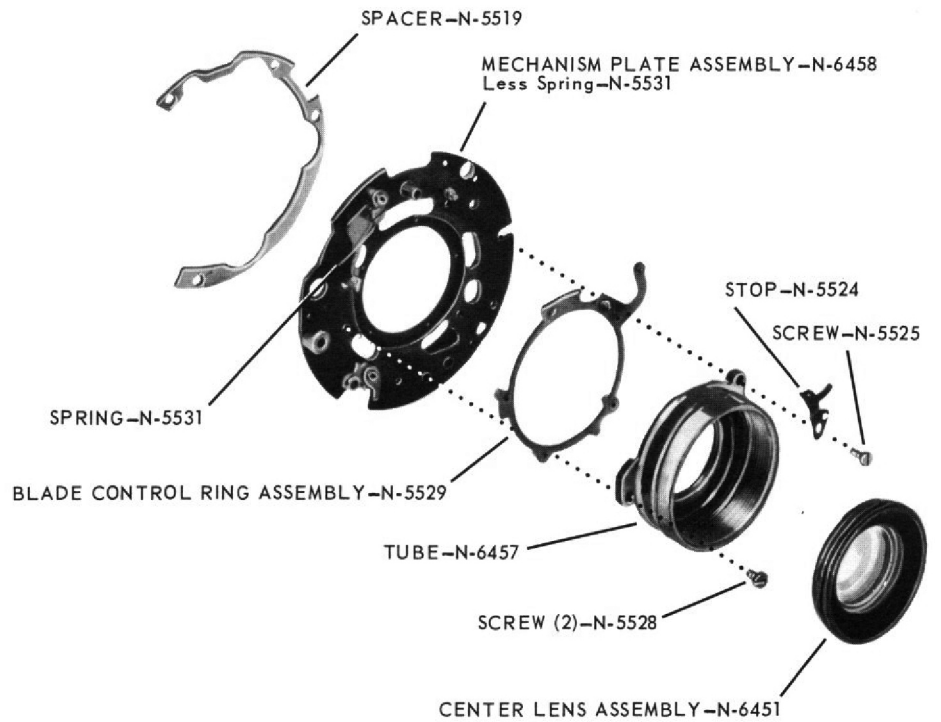


FIGURE 28

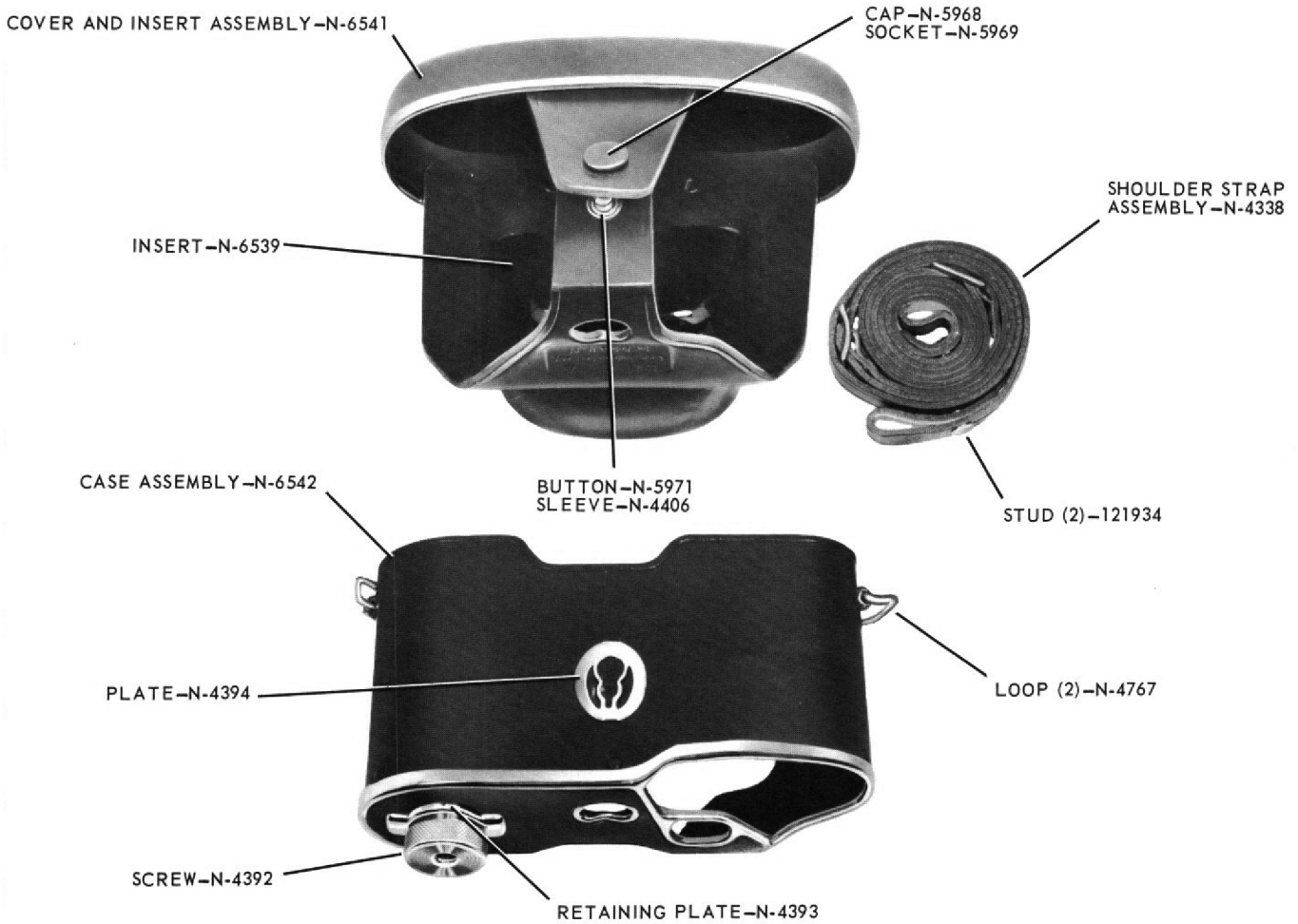


FIGURE 29 KODAK RETINA FIELD CASE, Model D

Always give PART NUMBER and NAME when ordering parts

| Part No. | Part Name | Fig. | Part No. | Part Name | Fig. |
|----------|---|------|----------|--|------|
| PX13 | Battery - Mercury (Listed in KODAK Price Catalog) . | 8 | N-4921 | Roller - Film | 5 |
| N-2222 | Screw - Strap bracket to case(Left). | 9 | N-4937 | Screw - Movable arm assembly lens frame. | 7 |
| N-2252 | Screw - Front cap assembly. | 9 | N-4939 | Screw - Movable arm assembly lens bracket. | 7 |
| N-2426 | Washer - Tension. | 7 | N-4943 | Beam Splitter - Rangefinder. | 7 |
| N-2470 | Screw - Top housing (Right). | 1 | N-4944 | Mirror - Rangefinder transparent. . | 7 |
| N-2617 | Spring - Rewind release dog. | 8 | N-4945 | Screw - Mirror holder | 7 |
| N-2618 | Pressure Pad Assembly | 5 | N-4958 | Screw - Rangefinder mask. | 7 |
| N-2640 | Washer - Spacer, .004. | 9 | N-4960 | Washer - Movable arm assembly . . | 7 |
| N-2675 | Washer - Rewind release button . . . | 8 | N-4972 | Rivet - Body release lever. | 12 |
| N-2677 | Screw - Back hinge. | 4 | N-4977 | Screw - Front Assembly to case. . . | 10 |
| N-2699 | Screw - Back latch plate | 14 | N-4978 | Bushing - Insulating | 9 |
| N-2717 | Spring - Tension pad. | 5 | N-4987 | Screw - Meter to front | 11 |
| N-2722 | Rivet - Back assembly strip. | 5 | N-5181 | Gear - Winding shaft. | 13 |
| N-2724 | Washer - Film indicator pointer tension | 1 | N-5325 | Cover - Case (Right). | 2 |
| N-2742 | Dial - Index counter | 8 | N-5326 | Covering - Case (Left) | 2 |
| N-2875 | Screw - Rewind knob assembly. . . . | 1 | N-5336 | Screw - Accessory clip. | 3 |
| N-4051 | Screw - Top housing (Left). | 1 | N-5349 | Screw - Rangefinder to case. | 6 |
| N-4064 | Washer - Counter setting button . . . | 3 | N-5352 | Plate - Frame support assembly (.012) | 7 |
| N-4099 | Screw - Base plate to front | 9 | N-5353 | Plate - Frame support assembly (.002) | 7 |
| N-4117 | Screw - Rangefinder movable arm assembly bearing | 7 | N-5354 | Plate - Frame support assembly (.004) | 7 |
| N-4118 | Bearing - Rangefinder movable arm assembly | 7 | N-5357 | Screw - Movable arm assembly spring retaining | 7 |
| N-4180 | Ring - Tripod socket. | 8 | N-5361 | Shutter Cocking Shaft Assembly . . . | 10 |
| N-4181 | Spring - Back latch button guard. . . | 8 | N-5369 | Gear - Idler | 12 |
| N-4182 | Screw - Tripod socket. | 8 | N-5394 | Pin - Guide. | 9 |
| N-4183 | Socket - Tripod | 8 | N-5409 | Plate - Setting rack retaining. | 9 |
| N-4184 | Bearing - Tripod socket | 8 | N-5417 | Screw - Winding lever assembly. . . . | 8 |
| N-4194 | Spring - Back latch. | 14 | N-5418 | Gear - Drive | 13 |
| N-4197 | Stud - Back catch guide. | 16 | N-5419 | Spring - Winding shaft pawl | 13 |
| N-4212 | Screw - Winding shaft gear | 13 | N-5420 | Cam - Winding shaft. | 13 |
| N-4219 | Button - Rewind release | 8 | N-5421 | Pawl - Winding shaft cam | 13 |
| N-4220 | Film Sprocket Shaft Assembly | 15 | N-5422 | Washer - Winding shaft. | 13 |
| N-4221 | Sprocket - Film. | 15 | N-5431 | Screw - Transmission lever adjusting. | 10 |
| N-4222 | Screw - Drive gear pawl | 15 | N-5432 | Pawl - Drive gear | 15 |
| N-4225 | Spacer - Drive gear pawl. | 15 | N-5433 | Dog - Rewind release | 8 |
| N-4226 | Screw - Setting rack guide (shoulder dia. .119) | 15 | N-5434 | Screw - Rewind release dog. | 8 |
| N-4238 | Catch - Back assembly | 5 | N-5436 | Bushing and Drive Gear Assembly. . | 15 |
| N-4239 | Rivet - Film pad spring. | 5 | N-5437 | Spring - Drive gear pawl. | 15 |
| N-4242 | Washer - Spacer, .002. | 9 | N-5439 | Screw - Winding shaft to case. | 15 |
| N-4321 | Screw - Tripod socket ring | 8 | N-5442 | Pin - Guide. | 16 |
| N-4322 | Guard - Back latch button | 8 | N-5443 | Back Latch Assembly | 14 |
| N-4325 | Spring - Rewind release button. . . . | 8 | N-5450 | Spring - Body release lever pressure. | 10 |
| N-4354 | Gear - Clutch | 15 | N-5454 | Rivet - Transmission lever | 16 |
| N-4355 | Spring - Clutch | 15 | N-5458 | Back Hinge Assembly | 5 |
| N-4356 | Clutch | 15 | N-5533 | Strip - Back assembly. | 5 |
| N-4412 | Screw - Setting rack guide (shoulder dia. .130). | 15 | N-5538 | Screw - Front assembly to case . . . | 10 |
| N-4530 | Covering - Winding lever assembly. . | 8 | N-5594 | Spring - Follower plate. | 11 |
| N-4545 | Rivet - Hinge. | 5 | N-5680 | Covering - Back assembly. | 5 |
| N-4613 | Plate - Hinge. | 5 | N-5702 | Screw - Rewind post bearing | 9 |
| N-4617 | Screw - Setting rack retaining plate. . | 9 | | | |
| N-4734 | Bracket - Strap (Right) | 9 | | | |
| N-4822 | Back Assembly | 4 | | | |

Always give PART NUMBER and NAME when ordering parts

| Part No. | Part Name | Fig. | Part No. | Part Name | Fig. |
|----------|---|------|----------|--|------|
| N-5703 | Mount - Eyepiece | 3 | N-6379 | Finder Frame Assembly (Inner) . . . | 4 |
| N-5704 | Spring - Eyepiece mount tension . . . | 3 | N-6380 | Rangefinder Assembly | 6 |
| N-5719 | Counter - Index dial | 8 | N-6381 | Panel - Masking | 7 |
| N-5720 | Ratchet - Index dial counter | 8 | N-6382 | Frame - Rangefinder housing | 7 |
| N-5721 | Washer - Index dial counter ratchet tension | 8 | N-6383 | Rangefinder Collimator Mount Assembly | 7 |
| N-5723 | Spring - Tension lever | 8 | N-6384 | Rangefinder Movable Arm Assembly | 7 |
| N-5725 | Film Advance Lock Assembly | 8 | N-6385 | Rangefinder Adjusting Arm Assembly | 7 |
| N-5726 | Spring - Film advance lock assembly pressure | 8 | N-6386 | Spring - Movable arm assembly . . . | 7 |
| N-5727 | Screw - Index dial counter | 8 | N-6387 | Frame Support Assembly | 7 |
| N-5758 | Spring - Winding release lever | 14 | N-6388 | Spring - Rangefinder mirror | 7 |
| N-5767 | Plate - Back latch | 14 | N-6389 | Holder - Rangefinder mirror | 7 |
| N-5785 | Screw - Collar | 10 | N-6390 | Mask - Rangefinder eyelet lens . . . | 7 |
| N-5847 | Winding Shaft Assembly | 15 | N-6391 | Lens - Rangefinder collimator | 7 |
| N-5848 | Spool - Take-up | 15 | N-6392 | Lens - Rangefinder eyelet | 7 |
| N-5853 | Window - Finder | 4 | N-6393 | Screw - Rangefinder adjusting | 7 |
| N-5859 | Rivet - Shutter setting gear | 12 | N-6394 | Lens - Movable arm assembly | 7 |
| N-5989 | Screw - Sprocket shaft | 15 | N-6395 | Bottom Assembly | 8 |
| N-5992 | Name Plate | 2 | N-6396 | Counter Advance Slide Assembly . . . | 8 |
| N-6005 | Winding Lever Assembly | 8 | N-6397 | Slide - Film advance lock assembly . | 8 |
| N-6057 | Pin - Insulating | 9 | N-6398 | Covering - Bottom assembly | 8 |
| N-6060 | Guard - Flash | 1 | N-6399 | Bracket - Strap (Left) | 9 |
| N-6062 | Pointer- Film indicator | 1 | N-6400 | Tube - Insulating | 9 |
| N-6063 | Rewind Knob Assembly | 1 | N-6401 | Front Frame Assembly | 9 |
| N-6064 | Flash Socket Assembly | 1 | N-6402 | Front Cap Assembly | 9 |
| N-6066 | Cap - Battery | 8 | N-6403 | Setscrew - Insulating bushing | 9 |
| N-6067 | Bearing - Rewind post | 9 | N-6404 | Sleeve - Body release assembly guide | 10 |
| N-6068 | Post - Rewind | 9 | N-6405 | Lever - Transmission | 10 |
| N-6069 | Spring - Rewind post detent | 9 | N-6406 | Screw - Transmission lever | 10 |
| N-6070 | Extension - Rewind post | 9 | N-6407 | Tunnel - Light | 10 |
| N-6073 | Battery Contact Assembly | 16 | N-6408 | Rack - Setting | 10 |
| N-6074 | Spring - Rewind knob | 2 | N-6409 | Body Release Assembly | 10 |
| N-6088 | Frame - Top | 9 | N-6410 | Scanning Pin Assembly | 11 |
| N-6090 | Screw - Meter support plate | 11 | N-6411 | Cord - Retaining | 11 |
| N-6236 | Rivet - Back liner plate | 5 | N-6412 | Plate - Exposure meter support . . . | 11 |
| N-6359 | Collar - Shutter retaining | 6 | N-6413 | Front Assembly | 11 |
| N-6360 | Shutter Complete | 6 | N-6414 | Washer - Spacer | 11 |
| N-6361 | Reflector Cover Assembly | 1 | N-6415 | Washer - Spacer | 11 |
| N-6362 | Top Housing Assembly | 1 | N-6416 | Roller - Eccentric rivet | 12 |
| N-6363 | Exposure Meter Assembly | 11 | N-6417 | Pin - Clutch coupling | 12 |
| N-6364 | Plate - Insulating | 1 | N-6418 | Gear - Shutter setting | 12 |
| N-6365 | Plate - Reflector base | 1 | N-6419 | Support Assembly | 12 |
| N-6366 | Spring - Reflector cover assembly . . | 1 | N-6420 | Release Lever Assembly | 12 |
| N-6367 | Screw - Reflector base plate to case | 1 | N-6421 | Body Release Lever Assembly | 12 |
| N-6368 | Washer - Flash socket assembly . . . | 1 | N-6422 | Rivet - Support assembly | 12 |
| N-6369 | Pin - Reflector base plate hinge . . . | 1 | N-6423 | Screw - Positioning | 12 |
| N-6370 | Bushing - Rewind knob | 3 | N-6424 | Button - Release lever assembly . . . | 12 |
| N-6371 | Clip - Accessory | 3 | N-6425 | Insert - Body release lever assembly | 11 |
| N-6372 | Button - Counter setting | 3 | N-6426 | Screw - Winding release adjusting . . | 14 |
| N-6373 | Bushing - Counter setting button . . . | 3 | N-6427 | Winding Release Assembly | 14 |
| N-6374 | Plate - Finder reinforcement | 3 | N-6428 | Spring - Winding release pressure . . | 14 |
| N-6375 | Retainer - Finder window | 3 | N-6429 | Wire - Contact | 15 |
| N-6376 | Window - Eyepiece mount | 3 | N-6430 | Case Assembly | 15 |
| N-6377 | Washer - Counter setting button tension | 3 | N-6431 | Rivet - Bearing | 16 |
| N-6378 | Frame - Finder | 4 | N-6432 | Bushing - Transmission lever | 16 |
| | | | N-6433 | Lever - Transmission | 16 |
| | | | N-6434 | Screw - Setting rack retaining plate. | 9 |

| Part No. | Part Name | Fig. | Part No. | Part Name | Fig. |
|-----------------------|---|------|---|---|------|
| Compur Shutter | | | N-6448 | Screw - Delayed action lever | 24 |
| N-4292 | Spring - Main drive | 23 | N-6449 | Retainer - Diaphragm ring. | 24 |
| N-4296 | Screw - Retard gear train (Short) . . | 22 | N-6451 | Center Lens Assembly | 28 |
| N-4297 | Screw - Retard gear train (Long) . . | 22 | N-6453 | Rear Lens Assembly. | 26 |
| N-4299 | Screw - Delayed action gear train. . | 22 | N-6454 | Plate - Diaphragm retaining. | 26 |
| N-4313 | Shutter Blade Assembly. | 26 | N-6455 | Retard Gear Train Assembly | 22 |
| N-4366 | Rivet - Contact block to case | 27 | N-6456 | Ring - Speed index | 20 |
| N-4367 | Plate - Contact black retaining. . . . | 27 | N-6457 | Tube - Shutter. | 28 |
| N-4912 | Screw - Focus mount ring | 18 | N-6458 | Mechanism Plate Assembly | 28 |
| N-5083 | Ball - Speed ring detent. | 20 | N-6459 | Plate - Diaphragm actuating. | 26 |
| N-5145 | Screw - Diaphragm ring retainer . . | 24 | N-6460 | Main Drive Assembly | 23 |
| N-5474 | Screw - Rangefinder cam. | 18 | N-6461 | Screw - ASA scale | 25 |
| N-5478 | Setscrew - Depth of field ring. . . . | 19 | N-6462 | Ring - Speed control ring. | 20 |
| N-5484 | Retainer. | 20 | N-6463 | Exposure Meter Cam Ring Assembly | 25 |
| N-5485 | Screw. | 20 | N-6464 | Diaphragm Ring Assembly. | 24 |
| N-5488 | Retainer - Speed control ring. | 20 | N-6465 | Cam - Exposure meter actuating pin | 24 |
| N-5495 | Screw - Flash contact. | 23 | N-6466 | Scale - ASA. | 25 |
| N-5496 | Flash Contact Assembly | 23 | N-6467 | Setting Shaft Assembly | 20 |
| N-5512 | Screw - Shutter case to mechanism plate. | 26 | N-6468 | Trigger and Spring Assembly. | 22 |
| N-5516 | Diaphragm Wing Assembly. | 26 | N-6469 | Spring - Bulb lever. | 23 |
| N-5519 | Spacer - Ring | 28 | N-6470 | Screw - Bulb lever. | 23 |
| N-5524 | Stop - Main drive. | 28 | N-6471 | Lever - Bulb. | 23 |
| N-5525 | Screw - Main drive stop | 28 | N-6472 | Delayed Action Gear Train Assembly | 22 |
| N-5528 | Screw - Tube to mechanism plate . . | 28 | N-6473 | Shutter Case Assembly | 26 |
| N-5529 | Blade Control Ring Assembly. | 28 | N-6691 | Spring - Contact block | 27 |
| N-5531 | Spring - Flash contact actuating lever | 28 | N-6692 | Contact Block Assembly | 27 |
| N-5786 | Spring - Speed ring detent ball | 20 | KODAK RETINA Field Case, Model D | | |
| N-6435 | Ring - Focus mount | 18 | 121934 | Stud - Shoulder strap | 29 |
| N-6436 | Retainer. | 17 | N-4338 | Shoulder Strap Assembly. | 29 |
| N-6437 | Mount - Focus. | 18 | N-4392 | Screw - Camera retaining. | 29 |
| N-6438 | Setscrew - Front lens assembly . . . | 19 | N-4393 | Plate - Camera retaining screw . . . | 29 |
| N-6439 | Screw - Stop | 17 | N-4394 | Plate - Snap button stud catch. | 29 |
| N-6440 | Screw - Cam. | 18 | N-4406 | Sleeve - Snap button post. | 29 |
| N-6441 | Cam - Rangefinder. | 18 | N-4767 | Loop - Strap | 29 |
| N-6442 | Front Lens Assembly | 19 | N-5968 | Cap - Snap button. | 29 |
| N-6443 | Guard - Dust. | 19 | N-5969 | Socket - Snap button cap | 29 |
| N-6444 | Screw - Cover plate | 19 | N-5971 | Button - Snap. | 29 |
| N-6445 | Plate - Cover | 19 | N-6539 | Insert - Case cover | 29 |
| N-6446 | Ring - Depth of field. | 19 | N-6541 | Cover and Insert Assembly | 29 |
| N-6447 | Lever - Delayed action | 24 | N-6542 | Case Assembly | 29 |

Always give PART NUMBER and NAME when ordering parts

EASTMAN KODAK COMPANY • ROCHESTER, NEW YORK 14650