

The Supreme SLR System Provides a New Dimension in Professional Photography

Canon
F-1



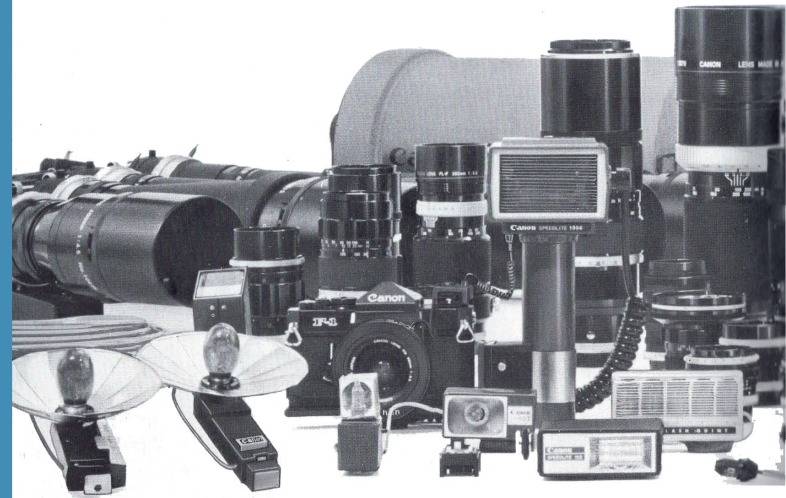
10,000 Parts Make the Supreme SLR System Camera Providing a New Dimension in Professional Photography

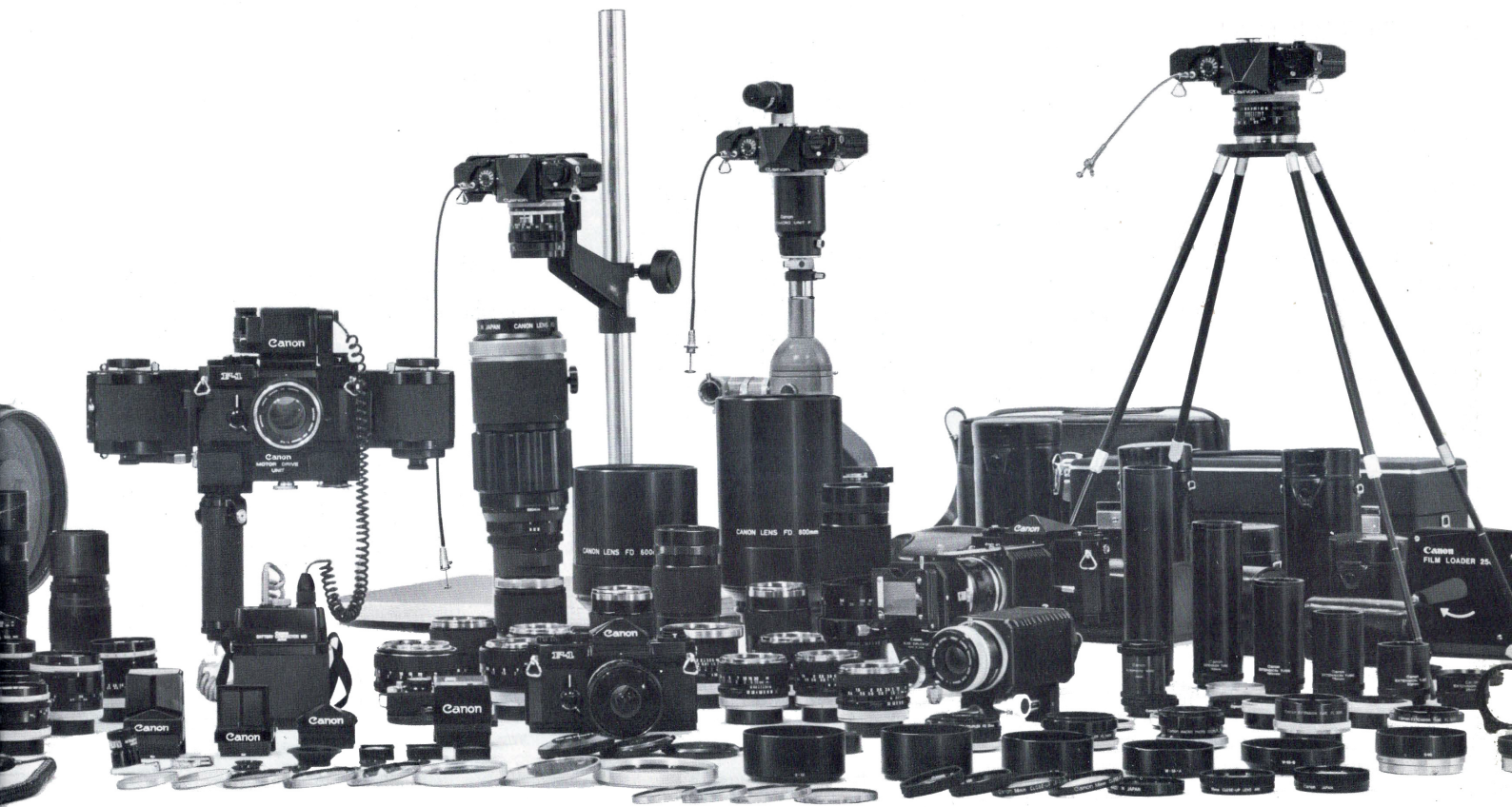
The Canon F-1 is the world's finest Single-Lens Reflex system camera. From the point of view of concept, the Canon F-1 was designed as a system camera with camera body, interchangeable lenses and accessories designed simultaneously, in comparison with the conventional SLR system camera where interchangeable lenses and accessories are developed after completion of the camera body. Therefore, the Canon F-1 can be authentically termed a new type of system camera.

A completely new concept of system camera, the new Canon F-1 numbers over 10,000 different parts, compared with the 1,000 present in conventional 35mm still camera.

Successful development of an SLR system camera had been anticipated to ultimately take place, but not until toward the end of the 1970's. Bearing this in mind, Canon's introduction of the Canon F-1 marks a truly, revolutionary system camera providing a new dimension in professional photography.

The Canon F-1 is an entirely new line that has been added to the Canon SLR cameras in addition to the present well-accepted Canon FT QL and Pellix QL, whose reputation as SLR system cameras have long been recognized for their superior performance.





The Canon F-1 System Enables All-Round System Photography.... Even 24-Hour Continuous Unmanned EE Photography

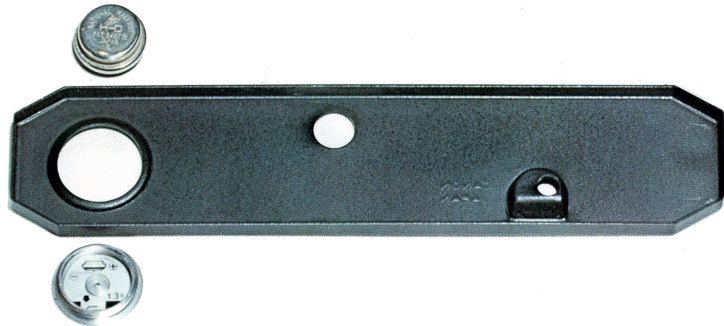
The Canon F-1 is a wide-range system that can be used in conjunction with over 40 different kinds of interchangeable lenses and over 180 accessories. Centered around outstanding performance, quality and reliability, the Canon F-1 system was developed with the following targets in mind.

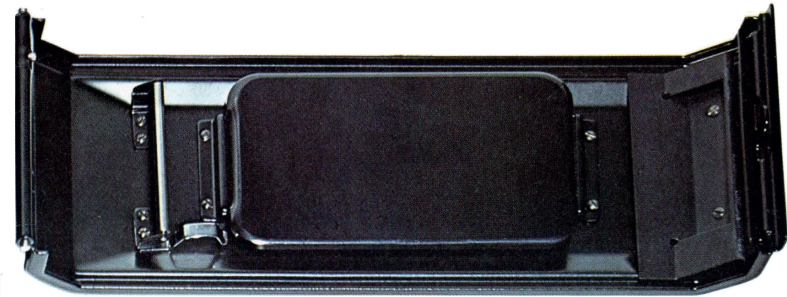
1. Completely interchangeability with all accessories.
2. Development of high performance accessories through progressive adoption of electronics techniques.
3. Integrated development of a series of top quality FD lenses and special lenses using electronic computers.
4. Guaranteed quality for any type of photographic situation.

The Canon F-1 system, which was developed with the above-mentioned basic targets in mind, can be used with all the accessories of the Canon FT QL and Canon Pellix QL systems for systematic use according to photographic purposes.

The Canon F-1 system is classified as follows :

1. Interchangeable lens system, centered around the high performance FD lens group.
2. Interchangeable viewfinder system including five different viewfinders.
3. Motor drive system centered around continuous shooting functions.
4. Automatic flash photography system centered around the Speedlite 500A.
5. Close-up photography system.
6. Copy work and photomicrography system.





Top Quality and Durability Sustaining Highly Precision Mechanism

The most outstanding features of the Canon F-1 are the unique capabilities of its extensive system and its durability in sustaining the functioning of this magnificent system. The Canon F-1 system was completed only after it was checked from all aspects, including performance, accuracy, durability, interchangeability, manipulation, design, production and quality control.

Quality underlines performance. Basic studies, such as material analysis before designing, were conducted extensively and scrutiny of processing methods fully carried out. Highest quality materials were used abundantly. A special standard even more severe than the already stringent Canon Standard was adopted to guarantee top quality.

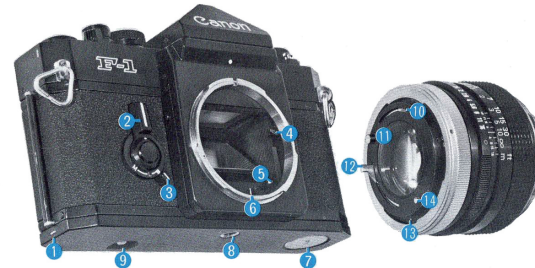
Various mechanical parts have been strengthened on an average of two to three times to withstand the most rigorous use. Moreover, the parts were rationally designed. Thus, the parts are guaranteed to pass the most rigid durability tests with flying colors. Environmental testing included vibration, shock and operational tests for extended periods in temperatures between 60°C (140°F) and -30°C (-22°F). Durability testing was conducted on the camera body alone and also together with the Motor Drive Unit for 100,000 exposures. These standards are unusually high for any type of camera.

Technical Data

- Type: 35mm Single-Lens Reflex camera with focal plane shutter. Picture size; 24 x 36mm.
- Lens: Interchangeable lens group of FD series with full aperture signal lever.
- Standard Lens: Canon FD 55mm F 1.2, FD 50mm F 1.4, FD 50mm F 1.8.
- Viewfinder: Removeable pentagonal prism viewfinder. The Eye-Level Finder, Waste-Level Finder, Servo EE Finder, Booster T Finder and Speed Finder may be interchanged as desired.
- Viewfinder Attachments: Angle Finder B, Magnifier, Dioptic Adjustment Lenses, Eyecup.
- Focusing Screen: Using Fresnel lens, standard focusing screen with microprism screen range-finder and three other interchangeable kinds. With metering beam-splitting condenser.
- Field-of-View: 97% of actual picture area. 0.77x with standard 50mm lens at infinity.
- Viewfinder Information: Meter needle and aperture needle, improper exposure warning red mark, fixed dot for stopped-down metering use and battery check mark, shutter speed scale, out of meter functioning range warning signal.
- Dioptic Adjustment Lenses: Standard -1.2 diopter (R-1). Interchangeable with R+3, R+2, R+1, R 0, R-2, R-3, and R-4.
- Mirror: Quick return mirror with shock-absorbing mechanism. Mirror can be fixed in upper position. Aperture is manually operated when mirror is fixed in upper position.
- Lens Mount: Bayonet type FD mount. FL and R series of lenses mountable.
- Function: FD lenses; Full aperture metering, coupled with automatic diaphragm. FL lenses; Stopped-down metering, coupled with automatic diaphragm. R lenses; Stopped-down metering, manually operated diaphragm.
- Shutter: Focal plane shutter using super thin titanium screen. Designed for elimination of functioning noise. Shutter release button can be locked.
- Shutter Speed Dial: Single shaft non-revolving type with shutter scales and ASA film speed scales. Two coupling pins for setting attachments are provided.
- Shutter Speeds: B, 1-1/2000. Multiple series. Equiinterval index. X contact at 1/60.
- Film Speed Scale: ASA 25-2000.
- Self-Timer: Built in. Activate with shutter release button. Approx. 10 sec. time lag. Self-timer lever is used in common as stopped-down functioning lever.
- Exposure Adjusting Mechanism: Coupled to shutter speeds, film speeds and f/stop. Match needle type TTL full aperture metering mechanism. Wide range, highly sensitive special CdS photocell. Semi-spot metering system with splitted condenser positioned in rear. Stopped-down metering possible. Fixed dot type metering using stopped-down functioning lever. Locking of the lever possible.
- Exposure Meter Coupling Range: With ASA 100 film, EV 2.5 (f/1.2 at 1/4 sec.) - EV 19 (f/16 at 1/2000 sec.). Meter information window turns red when outside of coupling range.
- Meter Battery: One 1.3 V M20 (#625) mercury battery used.
- Battery Checker: Built in. Check at ASA 100, shutter speed at 1/2000 sec.
- TTL Full Aperture Metering System EE: Uses exclusive Servo EE Finder and Battery Case in combination. Full aperture metering with FD lens. Shutter priority type EE. Functioning range; with ASA 100 film, EV 2.5 (f/1.2 at 1/4 sec.) - EV 19 (f/16 at 1/2000 sec.).
- Insufficient Light Metering: Metering possible between ASA 100 film EV 15 (f/22 at 1/60 sec.) and EV -3.5 (f/1.2 at 15 sec.) with use of exclusive Booster T Finder.
- Synchronized Flash: FP and X contact. Automatic time lag adjusting type.
- Flash Socket: On side of body. Two contacts on film rewind knob for flash circuit for directly connected adapter, and meter circuit.
- Canon Auto Tuning (CAT) System: Diaphragm control by recharge completion signal and focusing distance signal. Proper aperture is established by the meter matching needle system through the connection of the Speedlite 500A, Flash Coupler, Flash Adapter and prescribed FD 50mm F 1.4, FD 50mm F 1.8, or FD 35mm F 2 lens.
- Synchronizing Range: 1/2000-1/125 sec. and 1/30 sec. or under; FP class. 1/60 sec. or under; Speedlite. 1/30 sec. or under; M, MF class.
- Film Loading: With multislit film spool.
- Film Winding: Short-stroke winding possible. Single operation 180° winding lever. Play; 15°.
- Film Rewinding: Performed by rewind button and crank.
- Double Exposure: Possible by operating film rewind button.
- Back Cover: Crank pull-up type. Removable for Film Chamber 250.
- Bottom Cover: Motor Drive Unit can be attached after removing bottom cover.

- Frame Counter: Self-resetting type activated by opening back cover.
- Accessory Shoe: Exclusive. Flash Coupler D and other couplers can be attached.
- Size: 98.7 x 146.7 x 43mm (3 7/8" x 5 3/4" x 1 1/16").
- Weight: Body; 820 g (1.80 lbs.). With FD 50mm F 1.4 Lens; 1,180 g (2.60 lbs.).

Subject to alterations.



1. Bottom Cover Safety Stopper
2. Stopped-down Functioning/Self-Timer Lever
3. Lever Lock/Mirror Lock Lever
4. Aperture Signal Coupling Lever
5. Lens Speed Adjustment Pin
6. Stopped-down Coupling Lever
7. Battery Compartment
8. Tripod Socket
9. Film Rewind Button
10. Aperture Signal Lever
11. Full Aperture Signal Pin
12. Automatic/Manual Aperture Lever
13. EE Switch Pin
14. Pin (reserved)
15. Canon Lens FD 50mm F 1.4
16. Coupling Pin to Speedlite 500A
17. Bayonet Ring for Cap and Hood
18. Focusing Ring
19. Distance Scale
20. Pre-Set Aperture Ring
21. Bayonet Mount Ring
22. Servo EE Finder Coupling Socket
23. Safety Stopper
24. Flash Socket
25. Accessory Shoe
26. Film Rewind Crank
27. Film Plane Indicator
28. Light-Taking Window for Meter Information
29. Interchangeable Pentaprism
30. ASA Film Speed Scale
31. Film Speed Set Ring
32. Shutter Speed Coupling Pin
33. Time Lock/Shutter Lock Lever
34. Shutter Release Button
35. Frame Counter
36. Meter Switch
37. Contact for Flash Unit
38. Contact for Flash-Auto Control
39. Viewfinder Eyepiece
40. Dioptic Adjustment Ring
41. Shutter Speed Dial
42. Film Advance Lever
43. Back Cover



With Fish Eye 7.5mm F5.6 at f/16, 1/600sec.

Perfect Body Mechanism—To the Point of Micron Orders

1/2000 Second Shutter Speed—Durable for 100,000 Exposures

The shutter mechanism of the Canon F-1 is the result of the high-level Canon technology used in developing this focal plane shutter. Functionally, this shutter mechanism is superior because of its extremely fast 1/2000 second shutter speed, greater exposure accuracy due to increased shutter screen speed, and increased durability through the use of a metallic shutter screen. But more remarkable is the fact that Canon has produced a shutter mechanism of matchless quality durable for 100,000 exposures with a high speed capability of 1/2000 second with maximum precision. This fast shutter speed of 1/2000 second now makes possible habitual use of high speed film and is highly effective in high speed photography such as sports events shooting.

Film Plane Stabilizer

A flat film plane is an important factor in obtaining superior quality pictures. In the Canon FT QL, the film advancing mechanism, pressure plate, roller, and accuracy of the aperture section have received highly favorable reception. In addition to these outstanding features, a larger pressure plate and a cassette safety device were incorporated into the Canon F-1 to guarantee a superior flat film plane worthy of this highest grade camera.

Smooth Winding Mechanism

Gear trains in the winding mechanism have been reduced to the minimum to ensure smooth and trouble-free winding and frame forwarding operations. Continuous operation is guaranteed against malfunction under subzero conditions.

Versatile Interchangeable Viewfinder Units

All important information has been incorporated in the viewfinder. In addition, a full set of interchangeable viewfinder units have increased versatility of the camera's use.

Designed from Standpoint of Users

The Canon F-1's body, interchangeable lenses and all other accessory units are designed from the standpoint of the user's comfort and ease.

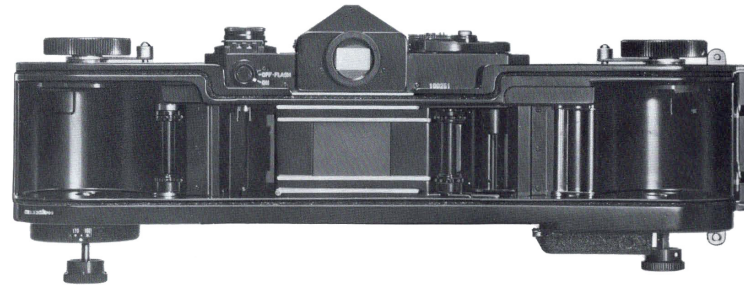
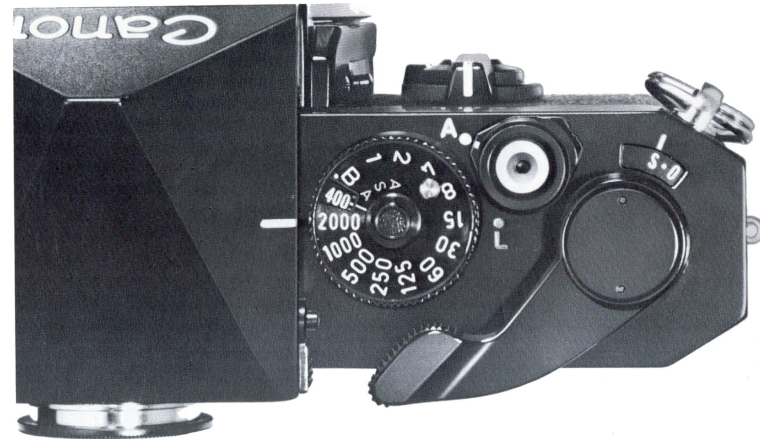
Accepts Both Conventional and Specially-Designed FD Lenses

The Canon F-1 system operates with specially-designed high-performance FD lenses as well as it also uses acceptance for conventional FL series of lenses.

High-Precision Mount Construction

In order to help maintain accurate focusing, the lens mount position has been ideally positioned where strain does not occur.

Care also has been taken not to damage the mount surface at time of mounting so that high-precision and durability are preserved.



Universal Metering System

Perfect TTL Metering System

The metering system of the Canon F-1 is a versatile TTL metering system that incorporates a variable signal transmitting mechanism for an interchangeable-type SLR camera, correlated to the development of the FD series lenses and accessories. By focal plane metering is meant the metering, under actual photographing conditions, of the best quality light beam of the focal plane at the closest position possible.

It is the ideal system for immediately metering the condition of the subject at the focal plane. It assures accurate automatic metering compensation even if the lens speed of interchangeable lenses changes, so that it is not necessary to adjust the setting of the lens speed manually. Metering error is negligible as a result of ideal light distribution.

With this focal plane metering system as the basis, the Canon adopted for the Canon F-1 the exposure setting and compensation mechanisms of the camera body and lens sides as signals and incorporated the optimum full-aperture metering system.

Full-Aperture Metering

This metering system begins where the already established highly accurate focal plane metering system of the Canon FT QL left off. In terms of both accuracy and theory, it was developed into an almost perfect full aperture metering system in combination with FD lenses and high performance CdS photocell.

Stopped-Down Metering

Stopped-down metering can also be performed with FD lenses, or at the same high level of exposure accuracy by using the FL series of lenses and R series of lenses.

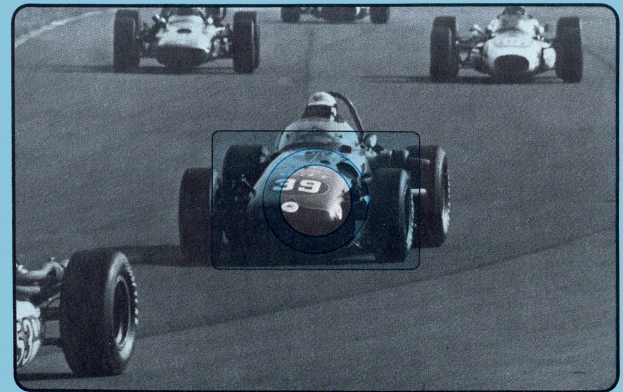
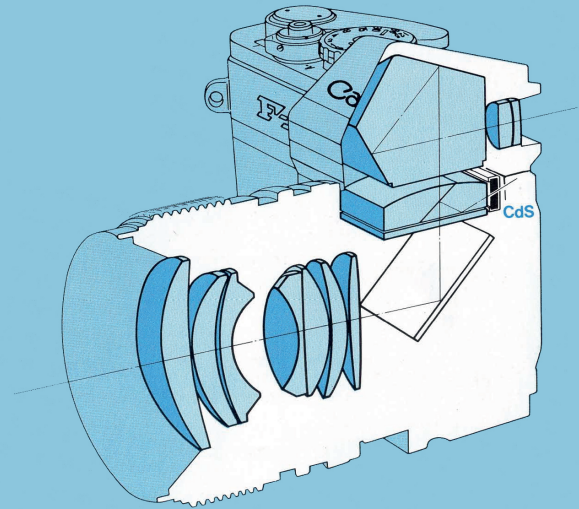
Meter Information

Focusing-screen readings and meter readings can be observed inside the viewfinder. The meter reading mechanism includes: meter needle and aperture needle, improper exposure warning marks, stopped-down metering/battery check mark, shutter speed scale, and meter coupling out-of-range warning.

Meter Reading

All necessary meter readings information can be read through the interchangeable viewfinder. A small pentagonal prism is fixed to a side of the pentaprism so that light is led through the light taking window situated on the top of the camera body. The angle and pitches of the microprism were based upon the mechanics and function of the human eye.

The reflecting ratio of the beam-splitting mirror in the condenser has been reduced to 70% of that for the FT model. The light transmitting rate of the taking lens has been increased through a highly sensitive CdS photocell.



Interchangeable Lens System

In order to expand the Canon F-1 system, Canon has developed the FD series of highest quality interchangeable lenses. This new group of lenses assures the highest grade delineation power under all photographic conditions, including ordinary daylight photography this fully open aperture shooting at night, close distance photography, and close-up photography. Furthermore, the Full Range Aberration-Free System, which changes the distance between lenses, has been utilized in order to eliminate break-down completely in aberration from infinity to close distance, thus contributing to stabilized image delineation.

In the wide-angle series, lenses for very 10 degrees of angle of view are available, while on the telephoto side, lenses for every 100mm in focal length have been provided to greatly widen the photographic range. In addition to these lenses, aspherical lenses, fluorite lenses and fish-eye lenses have been newly provided.

Use of Super Spectra Coating, multilayer anti-reflection optical coatings and the adoption of Canon's unique focusing mechanism, have contributed to strengthening the series of FD lenses.

Together with the FL series of lenses previously developed, there are over 40 different kinds of interchangeable lenses for the Canon F-1, ranging from 7.5mm super-wideangle to 1,200mm super-telephoto.



Canon Lens FD 17mm F4

Among the interchangeable lenses with long optical back focal distance for single-lens reflex camera use, this lens has no distortion. As a super-wide-angle lens for normal delineation, it has the world's shortest focal length.

Generally, retro-focus type lenses have the shortcoming of inferior picture quality at close distance photography. This lens, however, changes its air distance of the lens system of close distance photography and prevents aberration breakdowns between infinity and close distance. It incorporates the Full Range Aberration-Free System that maintains high performance.

Canon Lens FD 24mm F2.8

This is a high-performance retro-focus type lens that has a very fast lens speed for a super-wide-angle lens. It incorporates the Full Range Aberration-Free System.

Canon Lens FD 35mm F2

This lens makes high contrast and little hollow. As in the case of super-wide-angle lenses, it also incorporates the Full Range Aberration-Free System. Therefore, it assures extremely high resolving power at the photographic distance of 30 centimeters.

Canon Lens FD 50mm F1.4

This lens uses the optical system of the world-renowned FL 50mm F1.4 standard lens which has been three years since it was first marketed, but its performance is still reputed to be very high despite the advances made during this time in optical designing techniques.

Its high resolving power and high contrast delineation power are outstanding.

The same high reputation is certain for this standard lens for the Canon F-1 use, too, because of Canon's stabilized production techniques.

Canon Lens FD 55mm F1.2

This lens, similar to but more advanced than the FD 50mm F1.4, boasts the fastest lens speed among the series of FD lenses. Its performance has been demonstrated by the FL lens. Despite its large aperture, it is highly reputed for its high contrast during full aperture opening and for high resolving power.

This lens, like the FD 50mm F1.4, was added to the FD series after a scrupulous recheck of its optical design.

Canon Lens FD 135mm F2.5

This lens was made as a result of improving the optical system of the FL 135mm F2.5 lens, a highly regarded lens in the FL series. It possesses the fastest lens speed among the FD telephoto lenses. Its focal length makes this lens very useful over a wide range.

Canon Lens FD 200mm F4

This lens, which is an improved version of the conventional FL 200mm F3.5 lens that enjoyed an excellent reputation, is quite superior to its FL counterpart.

Canon Lens FD 300mm F5.6

This lens was developed for the purpose of turning a long focal length of 300mm into a high performance, compact lens which would be most convenient and advantageous for telephotography. It is a lens that is certain to fulfill expectations because Canon succeeded in making it compact without the use of the costly and special material called artificial fluoride.

The telephoto ratio of this lens was shortened to 1 : 0.72. At the same time, an almost perfect aberration correction was performed on this lens. For these reasons, sharp delineations of high contrast and high resolving power are obtainable.

Table of Interchangeable Lenses for the Canon F-1 and Other Canon SLR Cameras

Lens	Type	Angle of View	Aperture System	Manually Operated Aperture	Lens Construction	Minimum Aperture	Distance In meter	Scale In feet	Attachment Filter	Cap	Hood	Coating	Case	Length (mm)	Weight (g)	lb.-oz.
FD Eye 7.5mm F 5.6	Special	180°	Manual	—	8-11	22	—	—	Built-in	Exclusive	—	Spectra	Exclusive	53	380	13½
FD 17mm F 4	Super-wide-angle	104°	Automatic	Possible	9-11	22	∞3-0.25	∞10-0.9	72	75	—	Spectra	I	56	490	1-1½
FD 24mm F 2.8	Super-wide-angle	83°	Automatic	Possible	8-9	16	3-0.3	10-1	55	C-55	W-55B	Spectra	C	52.5	410	1-½
FD 28mm F 3.5	Super-wide-angle	75°	Automatic	Possible	7-7	16	3-0.4	10-1.5	55	C-55	W-55B	Spectra	C	43.0	290	8¼
FD 35mm F 3.5	Wide-angle	64°	Automatic	Possible	6-6	16	3-0.4	10-1.5	55	C-55	W-55A	Spectra	C	49.0	325	11½
TS 35mm F 2.8 AL	(Tilt & Shift)	79°/62.6°	Manual	—	8-10	22	3-0.3	10-1	58	C-58	Exclusive	Spectra	Exclusive	72	—	—
FD 35mm F 2	Wide-angle	62°	Automatic	Possible	8-9	16	3-0.3	10-1	55	C-55	W-55A	Spectra	C	60	380	13½
FL 50mm F 3.5	Macro	46°	Automatic	Possible	3-4	22	5-0.234	20-9.2	—	—	—	Spectra	—	—	—	—
FD 50mm F 1.8	Standard	46°	Automatic	Possible	4-6	16	10-0.6	30-2	55	C-55	S-55	Spectra	C	42.0	305	10½
FD 50mm F 1.4	Standard	45°	Automatic	Possible	6-7	16	10-0.45	30-1.5	55	C-55	S-55	Spectra	C	49	400	14
FD 55mm F 1.2	Standard	43°	Automatic	Possible	5-7	16	10-0.6	30-2	58	C-58	S-58	Spectra	I	52.5	560	1-3¾
FD 55mm F 1.2 AL	Standard	44°	Automatic	Possible	6-8	16	10-0.6	30-2	58	C-58	S-58	Super Spectra	I	55	630	1-6½
FD 85mm F 1.8	Long focus	29°	Automatic	Possible	5-5	16	20-1	60-3.5	—	—	—	Spectra	—	—	—	—
FD 100mm F 2.8	Telephoto	24°	Automatic	Possible	5-5	22	10-1	30-3.5	55	C-55	T-55	Spectra	D	57.0	430	1-½
FD 135mm F 3.5	Telephoto	18°	Automatic	Possible	3-4	22	30-1.5	100-5	55	C-55	T-55	Spectra	E	83.0	480	1-4¾
FD 135mm F 2.5	Telephoto	18°	Automatic	Possible	5-6	22	30-1.5	100-5	58	C-58	Built-in	Spectra	E	91	680	1-8
FD 200mm F 4	Telephoto	12°	Automatic	Possible	5-6	22	30-2.5	100-8	55	C-55	Built-in	Spectra	J	133	730	1-9¾
FD 300mm F 5.6	Long-telephoto	8.3°	Automatic	Possible	5-6	22	50-4	200-13	58	C-58	Built-in	Spectra	Exclusive	173	1190	2-10
FD 55-135mm F 3.5	Zoom	43-18°	Automatic	Possible	11-15	22	30-2	100-6	58	C-58	S-58	Spectra	—	—	—	—
FD 100-200mm F 5.6	Zoom	24-12°	Automatic	Possible	5-8	22	30-2.5	100-8	55	C-55	Built-in	Spectra	Exclusive	173.0	820	2-13
FL 85-300mm F 5	Zoom	29- 8°	Automatic	Possible	9-15	22	50-4	100-12	72	75	Built-in	Spectra	Exclusive	273.5	1840	4-1
FL 400mm F 5.6	Long-telephoto	6.2°	Automatic	Possible	5-7	32	50-4.5	—	48	82	Exclusive 82	Spectra	Exclusive	338	—	—
FL 600mm F 5.6	Long-telephoto	4.1°	Automatic	Possible	4-5	32	50-10	—	48	114	Built-in	Spectra	Exclusive	448	—	—
FL 800mm F 8	Long-telephoto	3.1°	Automatic	Possible	5-7	32	50-17	—	48	114	Built-in	Spectra	Exclusive	508	—	—
FL 1200mm F 11	Long-telephoto	2.1°	Manual	—	4-6	64	-37	—	48	114	Built-in	Spectra	Exclusive	748	—	—

¹Equipped with a coupling pin to the Canon Auto Tuning System.

²Front component interchangeable type. Focusing adapter (1-component, 2-element, FL automatic diaphragm, with A-M ring). Filter is of insertion type with holder. Number of elements in chart are totals.

Interchangeable Viewfinder System

The Canon F-1 has adopted the interchangeable viewfinder system. As a viewfinder for a Single-Lens Reflex camera, it has a most thoroughly scrutinized system.

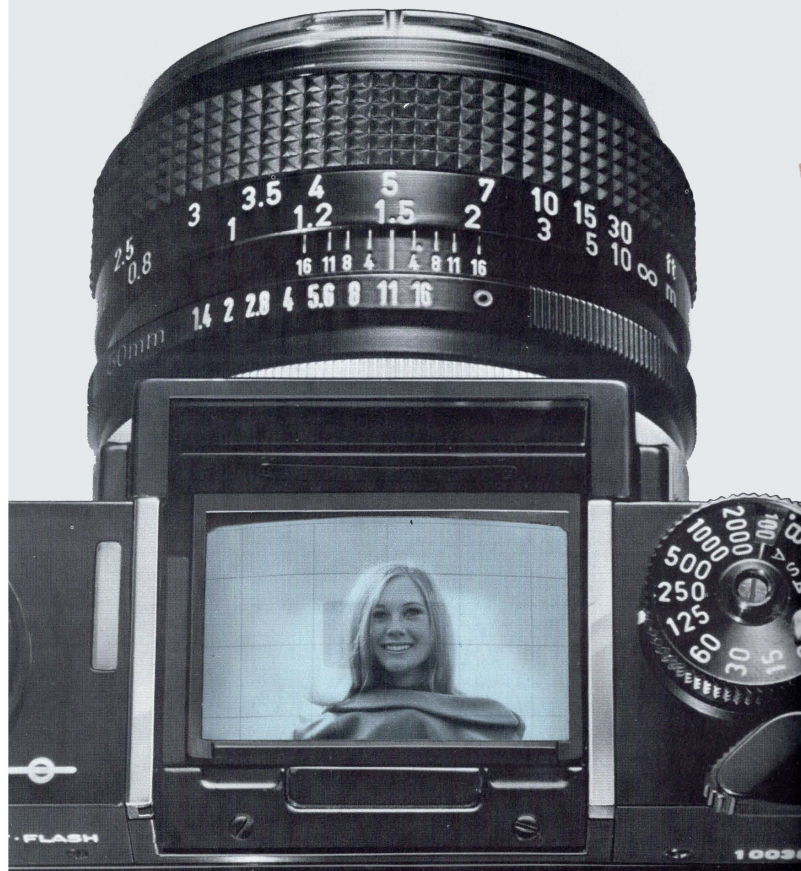
The Eye-Level Finder, Waist-Level Finder, Servo EE Finder, Speed Finder and Booster T Finder may be interchanged as desired, in a matter of seconds, to satisfy any preference or need. Whichever viewing method may be best suited for a given situation, there is always a way to meet it with the Canon F-1.

Another remarkable feature of the versatility of the Canon F-1 interchangeable viewfinder system is the ready interchangeability of focusing screens. A standard micro-prism screen, the same as that in the Canon FT QL, is used. Three types, including split-image, all-mat, and section type, are available for use according to purpose.

The Angle Finder B, Magnifier, Dioptic Adjustment Lens, and Eyecup can be attached to the eyepiece.



1. Angle Finder B
2. Booster T Finder
3. Servo EE Finder
4. EE Coupler
5. Cord 12V2E
6. Dioptic Adjustment Lenses
7. Speed Finder
8. Waist-Level Finder
9. Eye-Level Finder
10. Magnifier
11. Eyecup
12. Focusing Screen
13. F-1 Body with FD 50mm F 1.4



Automatic Flash Photography System by Canon Auto Tuning System

Canon developed the Canon Auto Tuning System, a more sophisticated electronic flash photography system in which the Electric Eye has been synchronized into the electronic flash unit, which was adopted in the New Canonet marketed in 1969. This design policy was incorporated in the Canon F-1. An automatic flash control mechanism was built in so that proper f/stop can be determined by the matching needle after setting guide number, film speed and shutter speed using a newly developed Speedlite 500A, Flash Coupler, Flash Adapter and prescribed FD 50mm F1.4, FD 50mm F1.8 or FD 35mm F2. Thus, automatic flash photography is now possible with the same ease as metering manipulations.

Speedlite 500A

Developed specially for automatic flash photography, the Speedlite 500A is a high performance electronic flash unit with large output for professional news photography use. Output can be set at four stages and each of the set positions is maintained at a fixed rate by a control circuit. At the same time, it is unique in that output settings can be freely changed according to purpose. Therefore, if output at a certain set position is insufficient for shooting distance or aperture conditions, it can be freely increased or decreased by changing the setting. The Speedlite 500A can be used in the same way as ordinary electronic flash units, if it is connected with a synchronizing cord for general use. It is also designed to use a number of different power sources such as the Battery Case used for the power supply system, the Battery Case 500A and the AC Pack.

Other Flash Units

Other flash units such as the Cube Flash, Flash J-3, Speedlite 102 or Flash V-3 can be attached to the Canon F-1. In this synchronized flash photography, it is necessary to set the proper f/stop.



With FD 50mm F1.4 at f/8, 1/2000sec.



Expanded Range of Application

Servo EE Finder—Device for Automatic Exposure Control

The Servo EE Finder is an EE functioning electronic device used to pre-set the proper f/stop, with the aperture at full opening, by servo motor drive after coupling with the full aperture metering mechanism of the Canon F-1.

It is strongly vibration- and shock-resistant compared with galvano meter. The proper f/stop is readable in the viewfinder, and differences in full aperture openings can be corrected from the outside.

Average metering is adopted for the metering system because of the Electric Eye. However, as the "compensated" average metering system is adopted, a most satisfactory exposure can be obtained when shooting scenery that includes sky.

Unmanned continuous shooting is possible when combined with the Servo EE Finder and Motor Drive Unit. This has opened up a remarkable photographic field in observation and experiment recording.

Booster T Finder with Electronic Timer—Exposure Device for Insufficient Light Volume

The Booster T Finder is one of the most unique accessories developed for the Canon F-1. It is a viewfinder with a supersensitive auxiliary meter and an exposure timer, interchangeable with the pentaprism section of the Canon F-1.

This booster is an electronic device to determine correct exposure, which also supplies proper exposure with the built-in timer during photomicrography, macrophotography, indoor photography and when shooting night scenes under dim lighting conditions.

Metering under dim light conditions down to EV-3.5 and long-time exposures with the automatic timer are possible with the use of the Booster T Finder.



With FD 50mm F1.2 at f/4, 60sec.



Motor Drive System

Canon Motor Drive Unit

The Motor Drive Unit, with its unique functions, was developed through selective adoption of electronics techniques in close relation to other accessories, to substantially expand the Canon F-1 system.

As a result, Canon has completely met strong customer demand, not with an exclusive accessory or one that is attached through improved adjustments, but with a completely interchangeable device that can be used on any Canon F-1 in combination with the Film Chamber 250 and still retain its high accuracy. It has the following outstanding features:

- 1) Single-frame exposures and high-speed photography at three exposures per second.
- 2) Built-in timer that can be set at seven intervals up to 60 seconds.
- 3) Remote controlled photography is possible.

Canon Film Chamber 250

The Film Chamber 250 was developed simultaneously with the Motor Drive Unit in order to support its continuous shooting functions. It is a long-length roll film magazine used exclusively with the Canon F-1. It can be used for any number of exposures under 250. Shooting is driven by the Motor Drive Unit, and filming speeds can be set by a timer at seven stages from three exposures per second up to one exposure per minute. Single-frame exposures are also possible.



With FD 200mm F4 at f/8, 1/500sec.





Close-Up Photography System

All Canon FT QL and Pellix QL system accessories can be used with the Canon F-1. Close-up lenses and extension tubes for close-up photography, together with the Bellows FL and M for macrophotography, the Booster T Finder, Speed Finder and Waist-Level Finder have all greatly expanded the photographic possibilities in this field. The fact that the motor drive system can be used for observation recordings over long periods of time is another very important contribution.

Copy Work and Photomicrography System

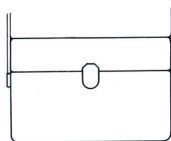
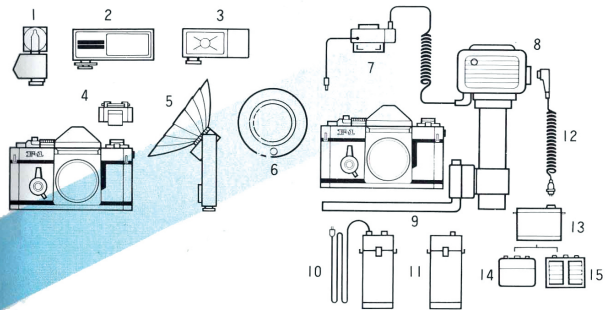
Use of conventional devices and the Canon F-1 viewfinder system have substantially expanded the photographic ranges of the copy work and photomicrography system. High quality copying equipment, with illumination source and minute adjustment device for the arm, are expected to appear on the market. This means that the superior functions of the Canon F-1 can be put to full use.



◀ With FD 35mm F2 at f/16, 1/250sec.

With FL 50mm F3.5 (macro) at f/11, 1/250sec.





Gadget Bag G1

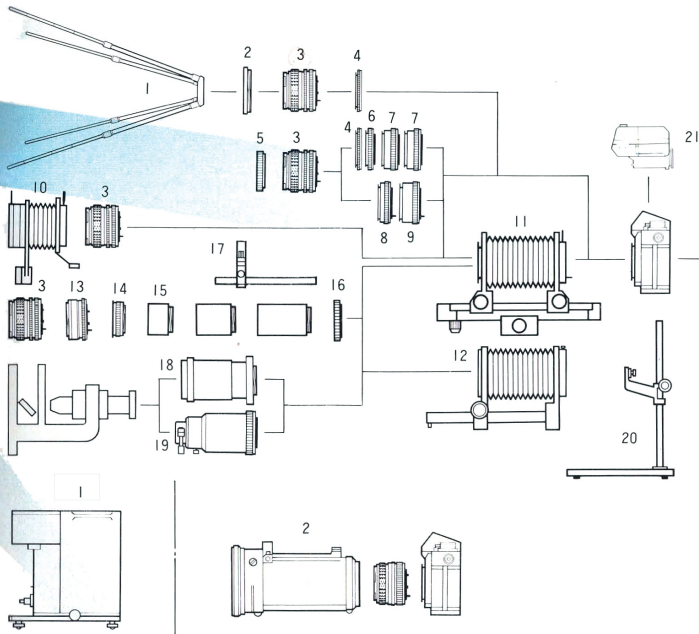


2. Viewfinders

1. Waist-Level Finder
2. Speed Finder
3. Eye-Level Finder
4. Booster T Finder
5. Servo EE Finder
6. Angle Finder B
7. Magnifier
8. Dioptic Adjustment Lenses
9. Eyecup
10. Cord 6V2B
11. Cord 12V2E
12. Battery Case
13. Battery Magazine 12V
14. NiCd 500FZ
15. Focusing Screen A, B, C, D

5. Close-Up, Macrophotography and Photomicrography

1. Handy Stand F
2. F-Ring
3. Lens
4. Extension Tube M5
5. Close-Up Lens
6. Extension Tube M10
7. Extension Tube M20
8. Extension Tube FL15
9. Extension Tube FL25
10. Slide Duplicator FL
11. Bellows FL
12. Bellows M
13. Macrophoto Coupler FL
14. Lens Mount Converter B
15. Extension Tube 6mm-200mm
16. Lens Mount Converter A
17. Macrophoto Strut
18. Microphoto Hood
19. Photomicro Unit F
20. Copy Stand 3F
21. Booster T Finder
22. Waist-Level Finder
23. Magnifier
24. Angle Finder B



3. Electronic Film Drive and Unmanned Photography

1. Servo EE Finder
2. Cord 12V2E
3. Film Chamber 250
4. Film Magazine 250
5. Film Loader 250
6. Motor Drive Unit
7. Battery Checker
8. Battery Connector MD
9. Battery Case
10. Cold Resistance Case
11. Battery Magazine 15V
12. NiCd 500FZ
13. NiCd Charger 500FZ
14. Remote Switch MD
15. Extension Cord MD
16. Ultrasonic Remote Control Unit
17. Magnet Tripper
18. Timer
19. Wireless Remote Control Unit

4. Flash Photography

1. Cube Flash, Cube Flash D
2. Speedlite 102
3. Flash J-3

6. Oscilloscopy

1. Continuous Recorder Model 3
2. Photo Oscilloscope Unit

Canon

Canon Cameras
Sold - Serviced - Guaranteed
by
 **BELL & HOWELL**
in
U. S. A. and Canada

